

NOTES:

1. ALL ITEMS SHIPPED NON-ASSEMBLED.
2. SEALED TO IP67 RATING.
3. ASSEMBLY INSTRUCTIONS:
 - CUT RECOMMENDED MOUNTING HOLE INTO PANEL
 - INSERT SEAL ONTO LIGHT PIPE AND PLACE INTO MOUNTING HOLE
 - PLACE WASHER ON OTHER SIDE OF PANEL
 - PLACE FLAT SIDE OF NUT AGAINST WASHER AND TIGHTEN UNTIL THERE IS RESISTANCE
 - HOLD HEAD OF LIGHT PIPE AND TIGHTEN NUT WITH TORQUE WRENCH 6-7 IN-OZ
 - DO NOT OVERTIGHTEN OR APPLY FORCE TO LIGHT PIPE

REVISIONS			
REV.	DESCRIPTION	DATE	APPROVED
B	Engineering Release	4/04/2017	J.C.
C	Updated Assembly Instructions	7/20/2020	A.V.

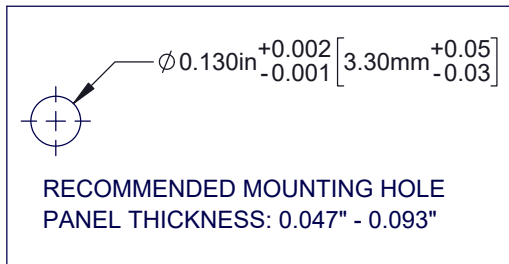
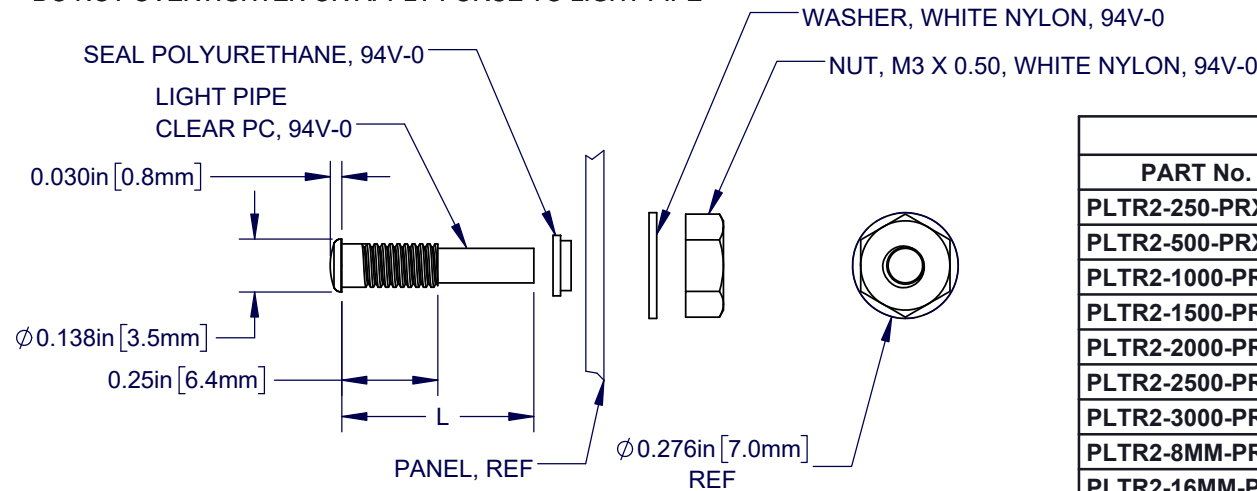
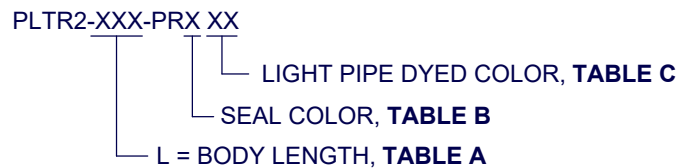


TABLE A	
PART No.	L = BODY LENGTH
PLTR2-250-PRX	0.250 (6.4mm)
PLTR2-500-PRX	0.500 (12.7mm)
PLTR2-1000-PRX	1.000 (25.4mm)
PLTR2-1500-PRX	1.500 (38.1mm)
PLTR2-2000-PRX	2.000 (50.8mm)
PLTR2-2500-PRX	2.500 (63.5mm)
PLTR2-3000-PRX	3.000 (76.2mm)
PLTR2-8MM-PRX	8mm (0.315")
PLTR2-16MM-PRX	16mm (0.630")
PLTR2-24MM-PRX	24mm (0.945")
PLTR2-32MM-PRX	32mm (1.260")
PLTR2-40MM-PRX	40mm (1.575")
PLTR2-48MM-PRX	48mm (1.890")
PLTR2-56MM-PRX	56mm (2.205")
PLTR2-64MM-PRX	64mm (2.520")
PLTR2-72MM-PRX	72mm (2.835")

TABLE B (SEAL)	
COLOR	CODE
BLACK	1
WHITE	2

TABLE C (DYE)	
COLOR	CODE
BLUE	BE
BLACK	BK
GREEN	GN
GRAY	GY
RED	RD
YELLOW	YW
NONE	BLANK

PART NUMBER CONFIGURATION



CUSTOMER USE DRAWING

STANDARD TOLERANCE (UNLESS OTHERWISE SPECIFIED)		 4 THOMAS, IRVINE, CA. 92618 TEL: (949) 951-8808 FAX: (949) 951-3974	
DECIMALS	ANGULAR		
.X ± .1	X° ± 1°	TITLE: Light Pipe, 3.5mm, IP67	
.XX ± .01			
.XXX ± .005			
DESIGNED: TD. NGUYEN	DATE: 04/04/17	DRAWING NO: PLTR2-XXX-PRX	
REVISION: K. BARON	DATE: 07/20/20	SHEET SIZE: A	REVISION: C
CHECKED: A. VALDEZ	DATE: 07/20/20	CAGE CODE: 32559	SHEET # 1 OF 1
SCALE: 2:1			
CAD GENERATED DOCUMENT, DO NOT MEASURE DRAWING			