

10/100BASE-TX DUAL-PORT TRANSFORMER MODULES



Ruggedized

- ⊗ Compliant with IEEE 802.3u and ANSI X3.263 standards
- ⊗ 350μH OCL with 8mA bias
- ⊗ Operating and storage temperature:
100B-2002: -40°C to +85°C
100B-2002X: -55°C to +125°C
- ⊗ IC grade transfer-molded package withstands 235°C peak temperature profile

Electrical Specifications @ 25 °C – Operating Temperature – 40°C to +85 °C

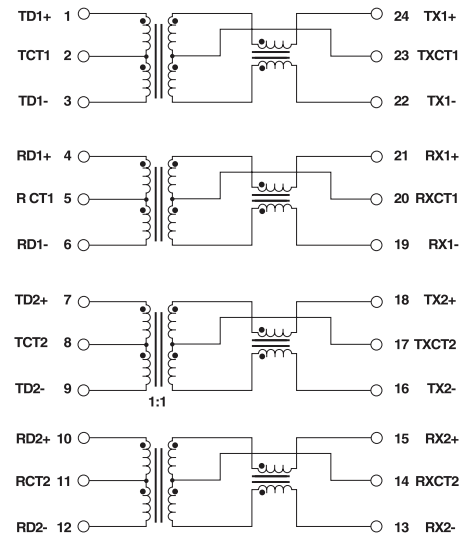
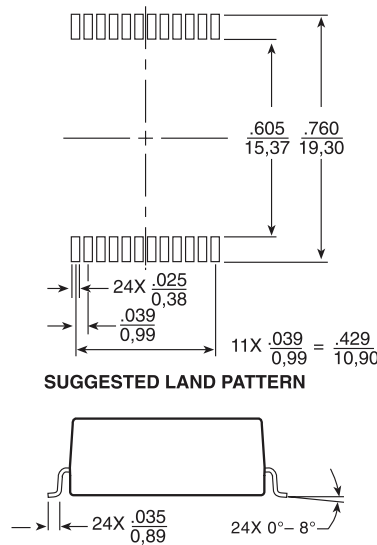
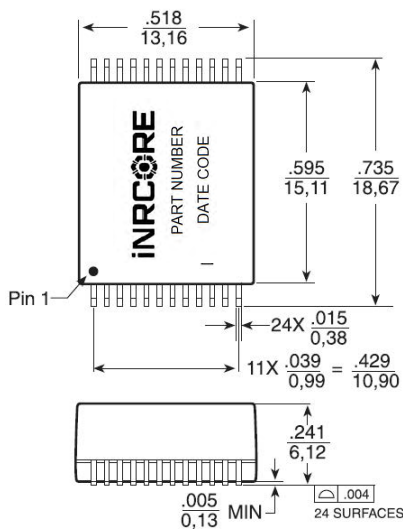
Part Number	Insertion Loss (dB MAX)	Return Loss (dB MAX)					Crosstalk (dB MIN)				DM to CM Rejection Ratio (dB MAX)		
	0.1-100MHz	2-30MHz	40MHz	50MHz	60-80MHz	1MHz	30MHz	60MHz	100MHz	1-60MHz	60-200MHz	60-100MHz	
100B-2002	-1.20	-18	-16	-15	-12	-50	-43	37	-33	-43	-37	-33	
100B-2002X	-1.20	-18	-16	-15	-12	-50	-43	37	-33	-43	-37	-33	

Note: Optional Tape & Reel packaging can be ordered by adding a "T" suffix to the part number (i.e. 100B-2002 becomes **100B-2002T**).

Mechanical

Electrical Schematic

100B-2002/X



Dimensions: $\frac{\text{Inches}}{\text{mm}}$

Unless otherwise specified, all tolerances are: $\pm \frac{.010}{0,25}$



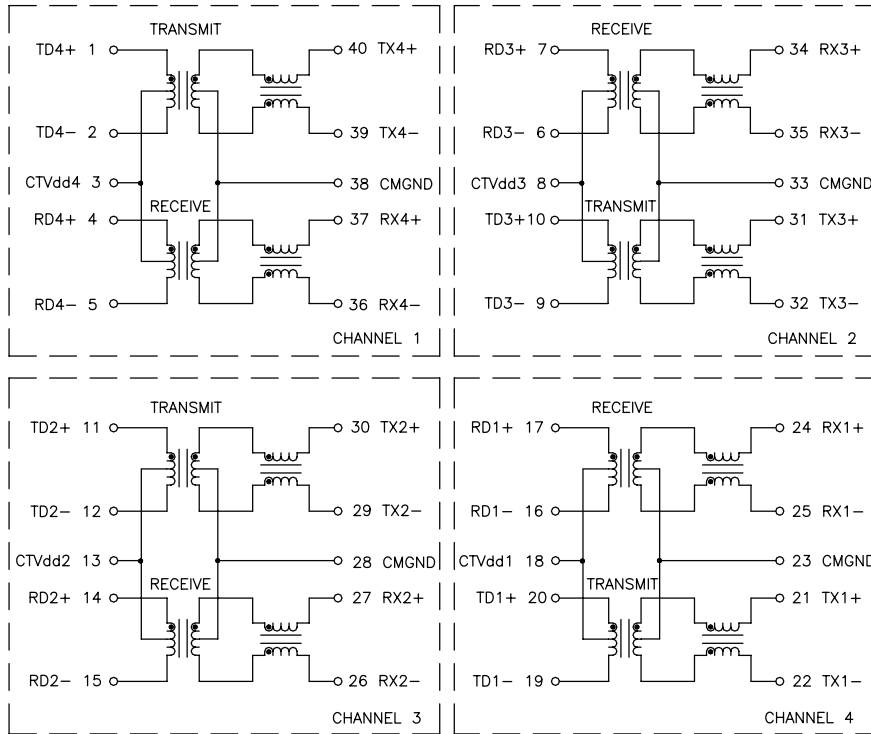
10/100BASE-TX DUAL-PORT TRANSFORMER MODULES

Ruggedized



Electrical Schematic

100B-2002/X

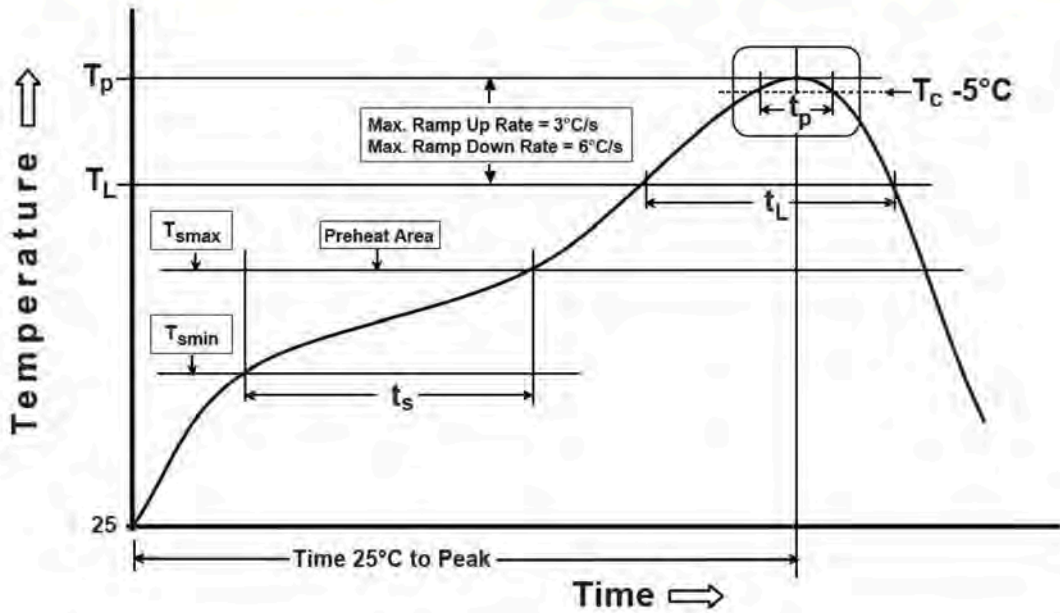


10/100BASE-TX DUAL-PORT TRANSFORMER MODULES



Ruggedized

Tin/Lead Recommended Reflow Profile (Based on J-STD-020D)



T_{SMIN} (°C)	T_{SMAX} (°C)	T_L (°C)	T_P (°C MAX)	t_s (s)	t_L (s)	t_p (s MAX)	Ramp-up rate (T_L to T_P)	Ramp-down rate (T_P to T_L)	Time 25°C to peak temperature (s MAX)
100	150	183	235	60-120	60-150	20	3°C/s MAX	6°C/s MAX	360

Notes:

1. All temperatures measured on the package leads.
2. Maximum times of reflow cycle: 2.

For More Information

iNRCORE, LLC
311 Sinclair Road Bristol,
PA 19007-6812 U.S.A
Tel: + 1.215.781.6400
Fax: +1.215.7816430

Global Sales Representatives and Locations:
<http://www.incore.com>

Performance warranty of products offered on this data sheet is limited to the parameters specified. Data is subject to change without notice. Other brand and product names mentioned herein may be trademarks or registered trademarks of their respective owners. © Copyright, 2020. iNRCORE, LLC. All rights reserved.

