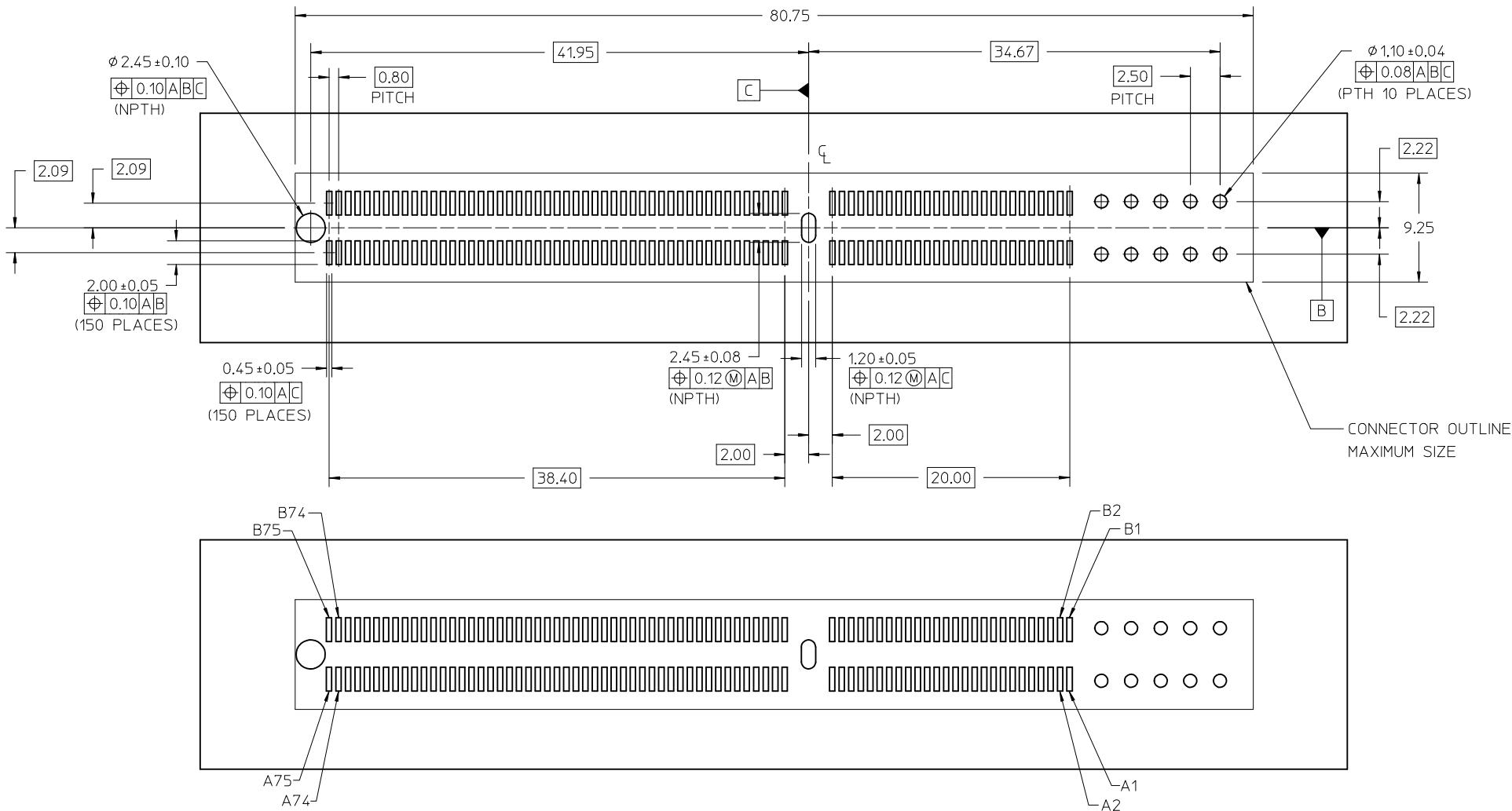


PICK AND PLACE CAP POSITION

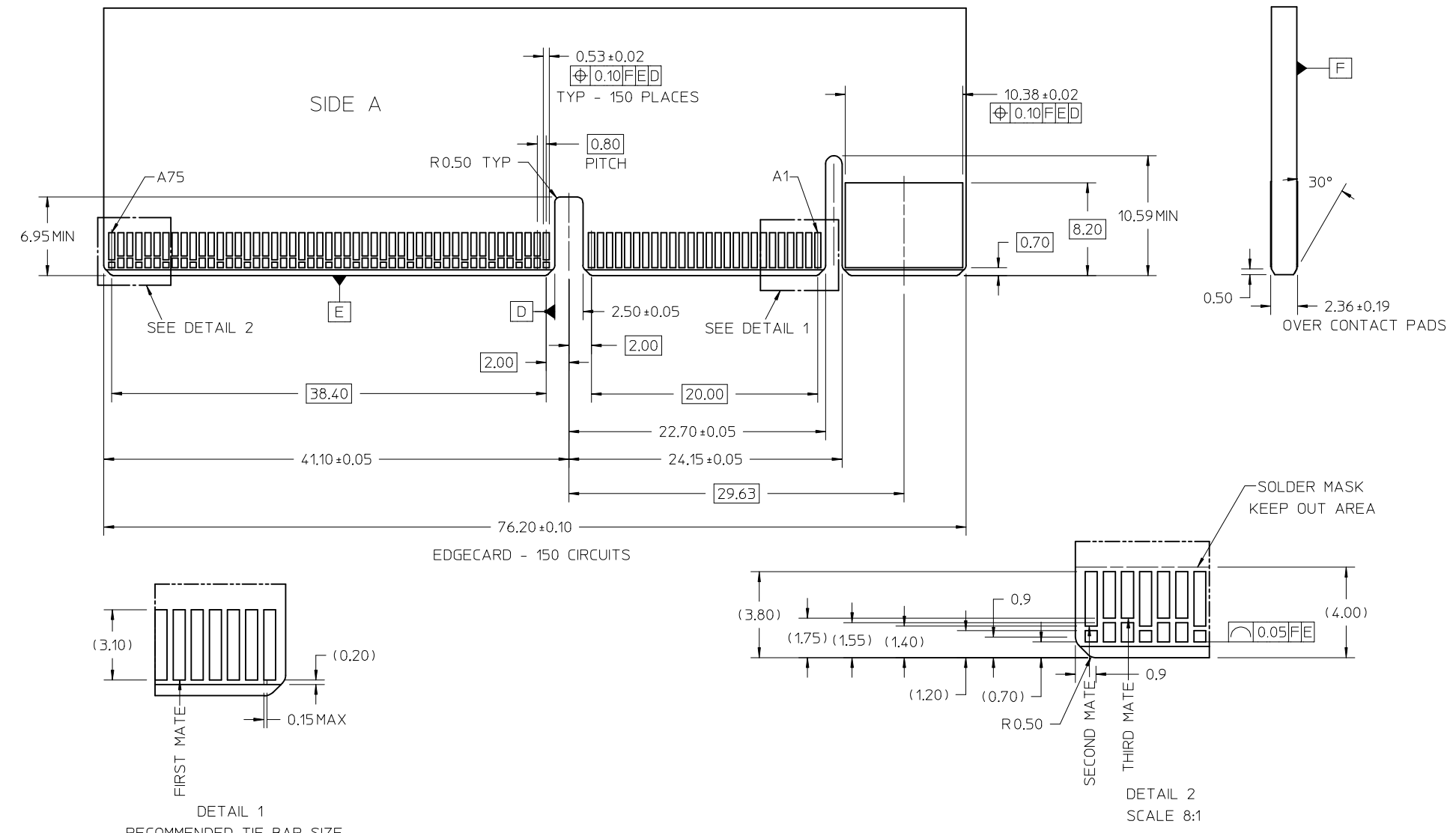
- NOTES:
- MATERIAL:
HOUSING - GLASS FILLED LIQUID CRYSTAL POLYMER, 94-V0, BLACK
TERMINALS - COPPER ALLOY
 - FINISH:
CONTACT AREA: SELECT GOLD 0.76µm MIN
SOLDER TAIL: 2.54µm MIN TIN (MATTE)
UNDERPLATE: 1.27µm NICKEL ALL OVER
 - PRODUCT SPECIFICATION: PS-151046-0001.
 - PACKAGING SPECIFICATION: PK-151046-0001(TENTATIVE).
 - APPLICATION SPECIFICATION: AS-151046-0001(TENTATIVE).
 - MATING PC BOARD THICKNESS = 2.36±0.19MM OVER CONTACT PADS.
 - PRODUCT IS ELV AND ROHS COMPLIANT. LEVEL OF COMPLIANCE:6/6
ALL BANNED SUBSTANCES ARE REMOVED:
Pb (LEAD)
HEXAVALENT CHROMIUM (CrVI)
CADMIUM
MERCURY
POLYBROMINATED BIPHENYL (PBB)
POLYBROMINATED DIPHENYL ETHER (PBDE)
 - THIS PART CONFORMS TO CLASS B REQUIREMENTS OF COSMETIC SPEC PS-45499-002.

UPDATE PICK AND PLACE EC NO: S2018-0046 DRAWN: MHLONG 2017/07/26 CHKD: CGTAN 2017/08/18 APPR: SHLENI 2017/08/21	DESCRIPTION REV: 4	QUALITY SYMBOLS	GENERAL TOLERANCES (UNLESS SPECIFIED)	DIMENSION STYLE	SCALE	DESIGN UNITS	THIRD ANGLE PROJECTION	
		▽=0	mm INCH	MM ONLY	4:1	METRIC		
		▽=0	4 PLACES ± --- ± ---	DRAWN BY DATE	SALES DRAWING EDGELINE25 40A/150CKTS .093"PCB 0.8MM PITCH molex			
		▽=0	3 PLACES ± --- ± ---	MHLONG 2014/09/25				
▽=0	2 PLACES ± 0.15 ± ---	CHECKED BY DATE	DOCUMENT NO. SD-151046-2150 SHEET NO. 1 OF 3					
		1 PLACE ± 0.25 ± ---	CGTAN 2015/03/09	THIS DRAWING CONTAINS INFORMATION THAT IS PROPRIETARY TO MOLEX INCORPORATED AND SHOULD NOT BE USED WITHOUT WRITTEN PERMISSION				
		0 PLACE ± --- ± ---	APPROVED BY DATE					
			SHLENI 2015/03/18					
			MATERIAL NO. 1510462150					
			ANGULAR ±1/2°					
			DRAFT WHERE APPLICABLE MUST REMAIN WITHIN DIMENSIONS					



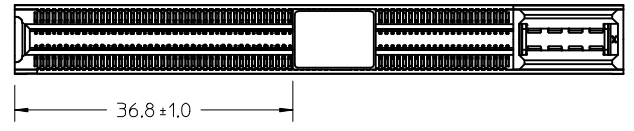
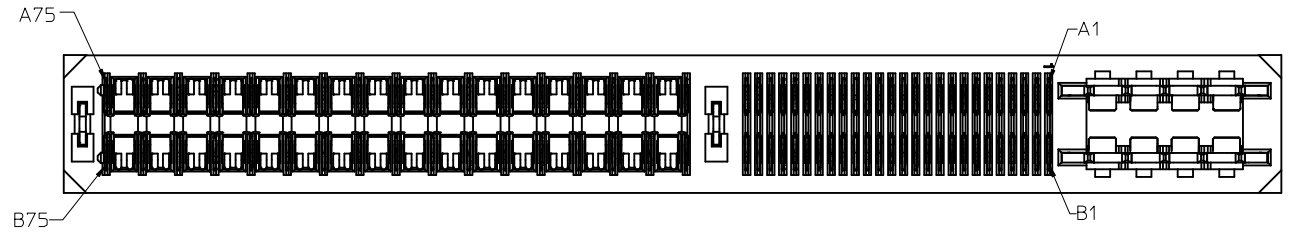
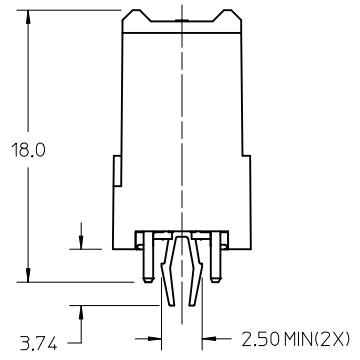
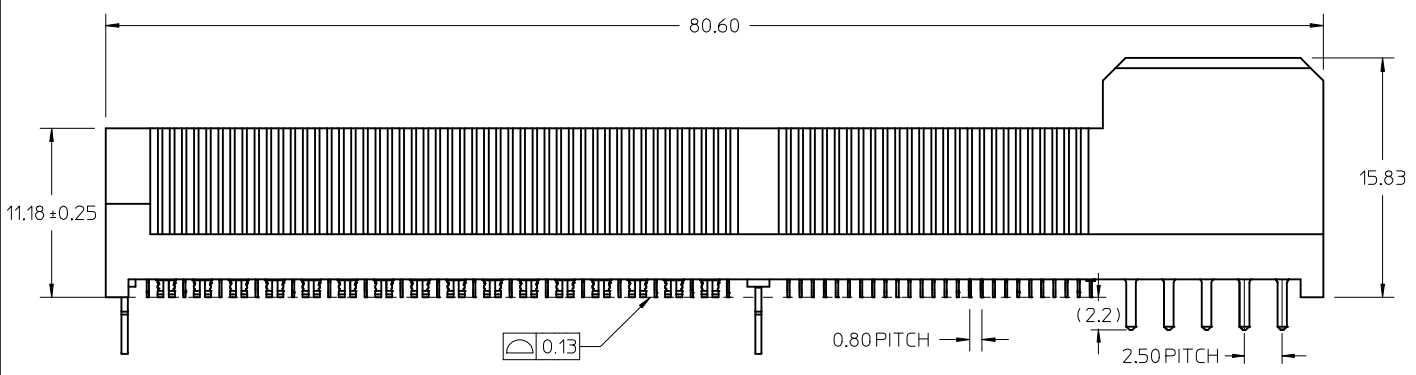
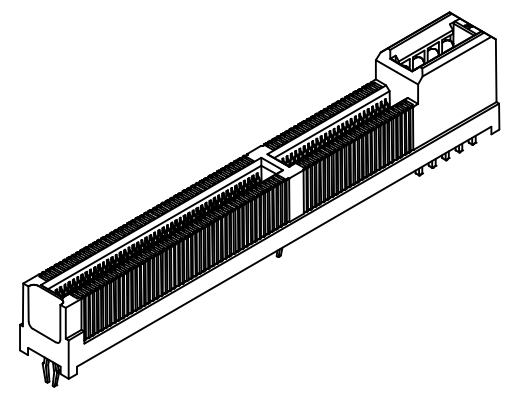
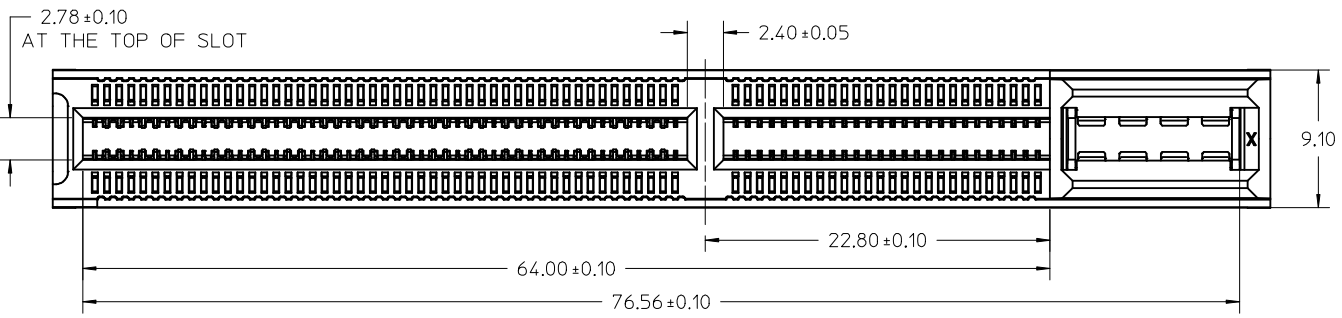
FOOT PRINT NOTES:
 1. DATUM -A- IS THE TOP OF THE PCB

SEE SHEET 1 EC NO: S2018-0046 DRAWN: MHL LONG 2017/07/26 CHKD: CGTAN 2017/08/18 APPR: SHLENI 2017/08/21 REV 4	QUALITY SYMBOLS	GENERAL TOLERANCES (UNLESS SPECIFIED)		DIMENSION STYLE MM ONLY		SCALE 4:1	DESIGN UNITS METRIC	THIRD ANGLE PROJECTION	
	▽=0	mm	INCH	DRAWN BY MHL LONG	DATE 2014/09/25	TITLE SALES DRAWING EDGE LINE 25 40A/150CKTS .093"PCB 0.8MM PITCH molex			
	▽=0	4 PLACES ± ---	± ---	CHECKED BY CGTAN	DATE 2015/03/09				
	▽=0	ANGULAR ±1/2°		APPROVED BY SHLENI		DATE 2015/03/18	MATERIAL NO.	DOCUMENT NO.	SHEET NO.
	DRAFT WHERE APPLICABLE MUST REMAIN WITHIN DIMENSIONS		SEE SHEET 1		SD-151046-2150		2 OF 3		
THIS DRAWING CONTAINS INFORMATION THAT IS PROPRIETARY TO MOLEX INCORPORATED AND SHOULD NOT BE USED WITHOUT WRITTEN PERMISSION									



NOTE:
 1.THESE ARE GENERIC DETAILS THAT DESCRIBE THE CONFIGURATION.
 OF VARIOUS PCB DESIGN ELEMENTS. THE CUSTOMER MUST DETERMINE
 WHERE AND WHEN TO USE EACH ELEMENT TO ACCOMMODATE THEIR SPECIFIC
 APPLICATION.
 2.CHAMFER ROUGHNESS NOT TO EXCEED 3.17µM.
 3.EDGE CARD CHAMFER NOT TO GO THROUGH GOLD PAD.

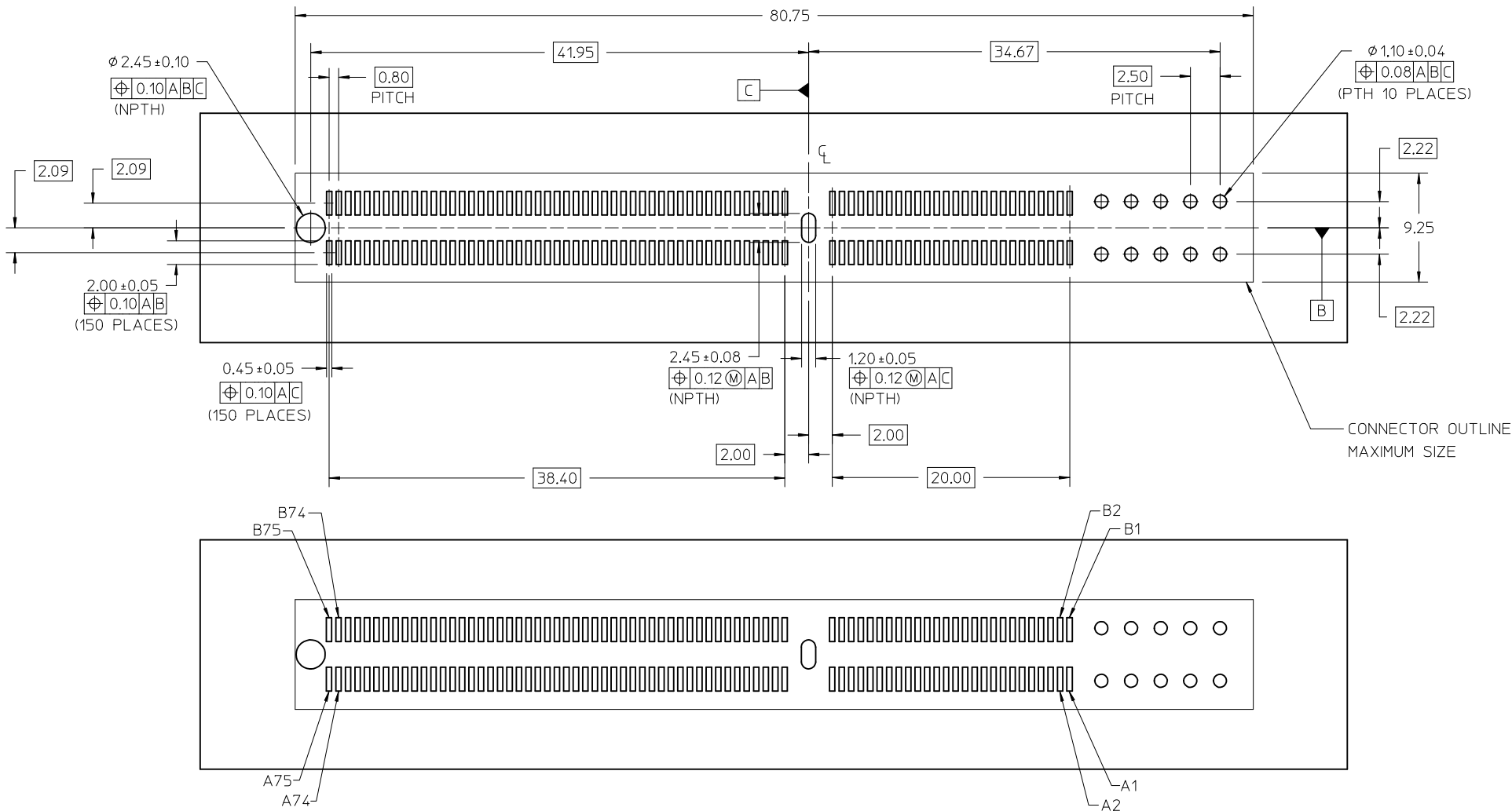
SEE SHEET 1 EC NO: S2018-0046 DRAWN: MHL LONG 2017/07/26 CHKD: CGTAN 2017/08/18 APPR: SHLENI 2017/08/21	QUALITY SYMBOLS	GENERAL TOLERANCES (UNLESS SPECIFIED)	DIMENSION STYLE	SCALE	DESIGN UNITS	THIRD ANGLE PROJECTION
	▽=0	mm INCH	MM ONLY	4:1	METRIC	
	▽=0	4 PLACES ± --- ± ---	DRAWN BY DATE	TITLE		
	▽=0	3 PLACES ± --- ± ---	MHL LONG 2014/09/25	SALES DRAWING		
▽=0	2 PLACES ± 0.15 ± ---	CHECKED BY DATE	EDGELINE25 40A/150CKTS			
	1 PLACE ± 0.25 ± ---	CGTAN 2015/03/09	.093"PCB 0.8MM PITCH			
	0 PLACE ± --- ± ---	APPROVED BY DATE	molex			
		SHLENI 2015/03/18	MATERIAL NO.	DOCUMENT NO.	SHEET NO.	
			SEE SHEET 1	SD-151046-2150	3 OF 3	
			THIS DRAWING CONTAINS INFORMATION THAT IS PROPRIETARY TO MOLEX INCORPORATED AND SHOULD NOT BE USED WITHOUT WRITTEN PERMISSION			



PICK AND PLACE CAP POSITION

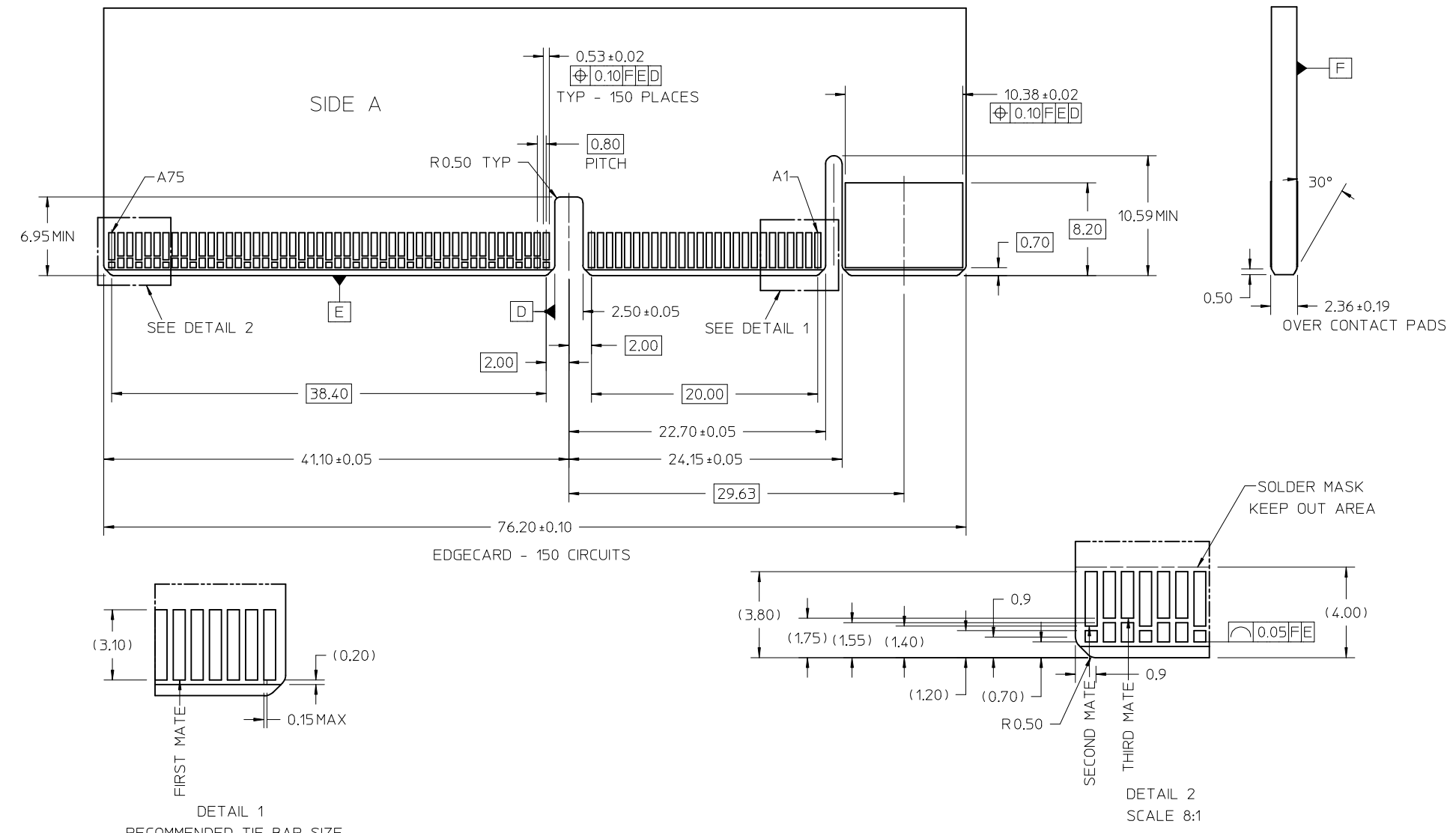
- NOTES:
- MATERIAL:
HOUSING - GLASS FILLED LIQUID CRYSTAL POLYMER, 94-V0, BLACK
TERMINALS - COPPER ALLOY
 - FINISH:
CONTACT AREA: SELECT GOLD 0.76µm MIN
SOLDER TAIL: 2.54µm MIN TIN (MATTE)
UNDERPLATE: 1.27µm NICKEL ALL OVER
 - PRODUCT SPECIFICATION: PS-151046-0001.
 - PACKAGING SPECIFICATION: PK-151046-0001(TENTATIVE).
 - APPLICATION SPECIFICATION: AS-151046-0001(TENTATIVE).
 - MATING PC BOARD THICKNESS = 2.36±0.19MM OVER CONTACT PADS.
 - PRODUCT IS ELV AND ROHS COMPLIANT. LEVEL OF COMPLIANCE:6/6
ALL BANNED SUBSTANCES ARE REMOVED:
Pb (LEAD)
HEXAVALENT CHROMIUM (CrVI)
CADMIUM
MERCURY
POLYBROMINATED BIPHENYL (PBB)
POLYBROMINATED DIPHENYL ETHER (PBDE)
 - THIS PART CONFORMS TO CLASS B REQUIREMENTS OF COSMETIC SPEC PS-45499-002.

UPDATE PICK AND PLACE EC NO: S2018-0046 DRAWN: MHLONG 2017/07/26 CHKD: CGTAN 2017/08/18 APPR: SHLENI 2017/08/21	DESCRIPTION REV: 4	QUALITY SYMBOLS	GENERAL TOLERANCES (UNLESS SPECIFIED)	DIMENSION STYLE	SCALE	DESIGN UNITS	THIRD ANGLE PROJECTION	
		▽=0	mm INCH	MM ONLY	4:1	METRIC	☉	
		▽=0	4 PLACES ± --- ± ---	DRAWN BY DATE	TITLE			
		▽=0	3 PLACES ± --- ± ---	MHLONG 2014/09/25	SALES DRAWING			
		2 PLACES ± 0.15 ± ---	CHECKED BY DATE	EDGELINE25 40A/150CKTS				
		1 PLACE ± 0.25 ± ---	CGTAN 2015/03/09	.093"PCB 0.8MM PITCH				
		0 PLACE ± --- ± ---	APPROVED BY DATE	molex				
			SHLENI 2015/03/18	MATERIAL NO.	DOCUMENT NO.	SHEET NO.		
				1510462150	SD-151046-2150	1 OF 3		
				THIS DRAWING CONTAINS INFORMATION THAT IS PROPRIETARY TO MOLEX INCORPORATED AND SHOULD NOT BE USED WITHOUT WRITTEN PERMISSION				



FOOT PRINT NOTES:
 1. DATUM -A- IS THE TOP OF THE PCB

SEE SHEET 1 EC NO: S2018-0046 DRAWN: MHL LONG 2017/07/26 CHKD: CGTAN 2017/08/18 APPR: SHLENI 2017/08/21 REV 4	QUALITY SYMBOLS	GENERAL TOLERANCES (UNLESS SPECIFIED)		DIMENSION STYLE MM ONLY		SCALE 4:1	DESIGN UNITS METRIC	THIRD ANGLE PROJECTION	
	▽=0	mm	INCH	DRAWN BY MHL LONG	DATE 2014/09/25	TITLE SALES DRAWING EDGE LINE 25 40A/150CKTS .093"PCB 0.8MM PITCH molex			
	▽=0	4 PLACES ± ---	± ---	CHECKED BY CGTAN	DATE 2015/03/09				
	▽=0	ANGULAR ±1/2°		MATERIAL NO.	DATE 2015/03/18	DOCUMENT NO. SD-151046-2150	SHEET NO. 2 OF 3		
DRAFT WHERE APPLICABLE MUST REMAIN WITHIN DIMENSIONS		SIZE C		THIS DRAWING CONTAINS INFORMATION THAT IS PROPRIETARY TO MOLEX INCORPORATED AND SHOULD NOT BE USED WITHOUT WRITTEN PERMISSION					



NOTE:
 1.THESE ARE GENERIC DETAILS THAT DESCRIBE THE CONFIGURATION.
 OF VARIOUS PCB DESIGN ELEMENTS. THE CUSTOMER MUST DETERMINE
 WHERE AND WHEN TO USE EACH ELEMENT TO ACCOMMODATE THEIR SPECIFIC
 APPLICATION.
 2.CHAMFER ROUGHNESS NOT TO EXCEED 3.17µM.
 3.EDGE CARD CHAMFER NOT TO GO THROUGH GOLD PAD.

SEE SHEET 1 EC NO: S2018-0046 DRAWN: MHLONG 2017/07/26 CHKD: CGTAN 2017/08/18 APPR: SHLENI 2017/08/21	QUALITY SYMBOLS	GENERAL TOLERANCES (UNLESS SPECIFIED)	DIMENSION STYLE	SCALE	DESIGN UNITS	THIRD ANGLE PROJECTION
	▽=0	mm INCH	MM ONLY	4:1	METRIC	
	▽=0	4 PLACES ± --- ± ---	DRAWN BY DATE	TITLE		
	▽=0	3 PLACES ± --- ± ---	MHLONG 2014/09/25	SALES DRAWING		
▽=0	2 PLACES ± 0.15 ± ---	CHECKED BY DATE	EDGELINE25 40A/150CKTS			
	1 PLACE ± 0.25 ± ---	CGTAN 2015/03/09	.093"PCB 0.8MM PITCH			
	0 PLACE ± --- ± ---	APPROVED BY DATE	molex			
		SHLENI 2015/03/18	MATERIAL NO.	DOCUMENT NO.	SHEET NO.	
			SEE SHEET 1	SD-151046-2150	3 OF 3	
			THIS DRAWING CONTAINS INFORMATION THAT IS PROPRIETARY TO MOLEX INCORPORATED AND SHOULD NOT BE USED WITHOUT WRITTEN PERMISSION			