

## FEATURES

- Any output frequency precision synthesis
  - 11.8 MHz to 919 MHz
  - Better than 0.1 ppb frequency resolution
- Ultralow rms jitter (12 kHz to 20 MHz)
  - <300 fs rms using integer synthesis
  - <405 fs rms using fractional synthesis
- Dual reference inputs support LVPECL, LVDS, 1.8 V LVCMOS, or fundamental mode AT cut crystals from 22 MHz to 54 MHz or reference clocks from 20 MHz to 60 MHz
- Numerical (NCO) frequency control
  - Dynamically pullable output frequency enables FPGA-based PLLs (HDL available)
  - Fast serial peripheral interface (SPI) bus write speeds up to 100 MHz
  - On-the-fly frequency changes
- Dual PLL in compact 7 mm × 7 mm package
  - Replaces multiple large clock ICs, PLLs, fanout buffers, crystal oscillators (XOs), and voltage controlled crystal oscillators (VCXOs)
- Mix and match output buffers
  - In-circuit programmable LVPECL/LVDS/HCSL/LVCMOS
  - Independent buffer (VDDOx) drives multiple technologies
- Enhanced power supply noise rejection

## APPLICATIONS

- FPGA-based jitter attenuators and low jitter PLLs
- Precision disciplined clocks and clock synthesizers
- Multirate clock synthesizers
- Optical: OTN/SDH/SONET
- Broadcast video: 3G SDI, HD SDI, SDI
- Networking and storage: Ethernet/SAS/Fibre Channel
- Wireless infrastructure: OBSAI/CPRI
- Industrial: IEEE 1588
- Numerically controlled oscillators (NCOs)

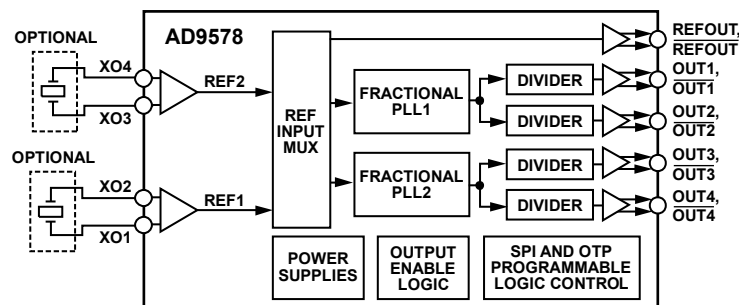
## GENERAL DESCRIPTION

The [AD9578](#) is a programmable synthesizer intended for jitter attenuation and asynchronous clocking applications in high performance telecommunications, networking, data storage, serializer/deserializer (SERDES), and physical layer (PHY) applications. The device incorporates two low jitter PLLs that provide any frequency with precision better than 0.1 ppb, each with two separate output dividers, for a total of four programmable outputs, delivering maximum flexibility and jitter performance. Each output is independently programmable to provide frequencies of up to 919 MHz with <410 fs typical rms jitter (12 kHz to 20 MHz) utilizing compact, low cost fundamental mode crystals (XTALs) that enable a robust supply chain. Using integer frequency synthesis, the [AD9578](#) is capable of achieving rms jitter as low as 290 fs.

The [AD9578](#) is packaged with a factory programmed default power-on configuration. After power-on, all settings including output frequency are reconfigurable through a fast SPI.

The [AD9578](#) architecture permits it to be used as a numerically controlled oscillator (NCO). This allows the user to dynamically change the frequency using the fast SPI bus. FPGAs and other devices can take advantage of this function to implement digital PLLs with configurable loop bandwidths for jitter attenuation applications, precision disciplined clocks that lock to tight stability references, or digitally controlled precision timing applications, such as network timing and IEEE 1588 applications. The SPI bus can operate up to 50 MHz, enabling fast FPGA loops while multiple devices share the same bus. The [AD9578](#) can also be used in multirate precision applications, such as broadcast video or OTN. HDL FPGA code for digital PLL applications is available from Analog Devices, Inc.

## SIMPLIFIED FUNCTIONAL BLOCK DIAGRAM



NOTES  
1. IF SUPPLYING A SINGLE-ENDED 1.8V CMOS SIGNAL, CONNECT THE SIGNAL TO EITHER XO2 OR XO4.

11356-001

Figure 1.

Rev. B

[Document Feedback](#)

Information furnished by Analog Devices is believed to be accurate and reliable. However, no responsibility is assumed by Analog Devices for its use, nor for any infringements of patents or other rights of third parties that may result from its use. Specifications subject to change without notice. No license is granted by implication or otherwise under any patent or patent rights of Analog Devices. Trademarks and registered trademarks are the property of their respective owners.

## TABLE OF CONTENTS

|  |    |   |    |
|--|----|---|----|
| Features .....   | 1  | Overview .....  | 25 |
| Applications.....  | 1  | Crystal Oscillator Gain .....   | 25 |
| General Description .....  | 1  | Crystal Load Capacitors.....  | 25 |
| Simplified Functional Block Diagram.....   | 1  | PLLs .....  | 26 |
| Revision History .....   | 3  | Overview .....  | 26 |
| Specifications.....  | 4  | PLL Modes of Operation .....  | 26 |
| Supply Voltage and Current (2.5 V Operation).....  | 4  | VCO .....   | 27 |
| Supply Voltage and Current (3.3 V Operation).....  | 4  | Charge Pump.....  | 27 |
| Power Dissipation .....  | 4  | Output Dividers.....  | 27 |
| Logic Inputs ( $\overline{\text{CS}}$ , $\overline{\text{PD1}}$ , $\overline{\text{OEREF}}$ , $\text{OE1}$ , $\text{OE2}$ , $\text{OE3}$ , $\text{OE4}$ )..... | 5  | Loss of Lock Indicator .....  | 27 |
| Reference Inputs ( $\text{XO1}$ , $\text{XO2}$ , $\text{XO3}$ , $\text{XO4}$ ).....  | 5  | Resets.....   | 27 |
| Distribution Clock Outputs (Including $\overline{\text{REFOUT}}$ / $\overline{\text{REFOUT}}$ )  | 6  | Example Values for 49.152 MHz crystal .....                                     | 28 |
| Serial Port .....  | 9  | SPI Programming.....  | 29 |
| Digital PLL.....   | 10 | Overview .....  | 29 |
| Digital Functions Timing.....  | 10 | SPI Description.....  | 29 |
| Jitter Generation Using 49.152 MHz Crystal.....  | 10 | OTP Programming.....  | 30 |
| Jitter Generation Using 25 MHz Square wave.....  | 11 | Register Map .....  | 32 |
| Absolute Maximum Ratings.....  | 12 | Register Map Bit Descriptions.....  | 34 |
| ESD Caution .....  | 12 | Chip and Manufacturer ID (Register 0, Address 0x00).....                        | 34 |
| Pin Configuration and Function Descriptions.....   | 13 | Product ID, Chip ID, and User Programming Space (Register 1, Address 0x01)..... | 34 |
| Typical Performance Characteristics .....  | 15 | External Pin Readback and Override (Register 2, Address 0x02).....              | 34 |
| Test Setup and Configuration Circuits.....   | 18 | REFOUT/OUTPUT Divider Enable (Register 3, Address 0x03).....                    | 36 |
| Input/Output Termination Recommendations.....  | 19 | XTAL1 and Output Buffer Configuration (Register 4, Address 0x04).....           | 37 |
| Getting Started.....   | 20 | Output Driver Configuration (Register 5, Address 0x05).....                     | 38 |
| Chip Power Monitor and Startup.....  | 20 | PLL1 Configuration (Register 6, Address 0x06) .....                             | 38 |
| Device Register Programming Using a Register Setup File .....  | 20 | PLL1 Configuration (Register 7, Address 0x07) .....                             | 39 |
| OTP Programming .....  | 20 | PLL2 Configuration (Register 8, Address 0x08) .....                             | 40 |
| Theory of Operation.....   | 21 | PLL2 Configuration (Register 9, Address 0x09) .....                             | 40 |
| Overview.....  | 21 | XTAL2 Configuration (Register 10, Address 0x0A).....                            | 42 |
| PLL and Output Driver Control.....   | 22 | Reserved (Register 11, Address 0x0B).....                                       | 42 |
| Overview.....  | 22 | PLL1 $K_{\text{VCO}}$ Band (Register 12, Address 0x0C).....                     | 42 |
| PLL Enable/Disable.....  | 22 | Reserved (Register 13, Address 0x0D).....                                       | 42 |
| Output Driver Format.....  | 23 | PLL2 $K_{\text{VCO}}$ Band (Register 14, Address 0x0E).....                     | 43 |
| Output Configuration Example.....  | 23 | PLL Lock Detect (Register 15, Address 0x0F).....                                | 43 |
| Reference Input.....   | 24 | Outline Dimensions.....   | 44 |
| Overview.....  | 24 | Ordering Guide .....  | 44 |
| Reference Input.....   | 24 |   |    |
| Crystal Oscillator Amplifier Enable.....   | 24 |   |    |
| REFOUT/ $\overline{\text{REFOUT}}$ Source Selection.....   | 24 |   |    |
| Crystal Oscillator Inputs.....   | 25 |   |    |

**REVISION HISTORY**

**1/2017—Rev. A to Rev. B**

Change to Table 31 .....32

**10/2016—Rev. 0 to Rev. A**

Changes to Figure 3.....13

Changes to Table 29 .....28

Added Exposed Pad Notation to Outline Dimensions .....44

**10/2014—Revision 0: Initial Version**

## SPECIFICATIONS

### SUPPLY VOLTAGE AND CURRENT (2.5 V OPERATION)

$V_{DD} = 2.5 \text{ V} \pm 5\%$ ,  $T_A = -25^\circ\text{C}$  to  $+85^\circ\text{C}$ .

Table 1.

| Parameter      | Symbol   | Min   | Typ  | Max   | Unit | Test Conditions/Comments                          |
|----------------|----------|-------|------|-------|------|---|
| SUPPLY VOLTAGE | $V_{DD}$ | 2.375 | 2.50 | 2.625 | V    |   |
| SUPPLY CURRENT | $I_{DD}$ | 229   | 247  | 265   | mA   | Using typical configuration in Table 3            |
|                |          | 337   | 365  | 388   | mA   | Using all blocks running configuration in Table 3 |

### SUPPLY VOLTAGE AND CURRENT (3.3 V OPERATION)

$V_{DD} = 3.3 \text{ V} \pm 10\%$ ,  $T_A = -25^\circ\text{C}$  to  $+85^\circ\text{C}$ .

Table 2.

| Parameter      | Symbol     | Min  | Typ  | Max            | Unit | Test Conditions/Comments  |
|----------------|------------|------|------|----------------|------|---|
| SUPPLY VOLTAGE | $V_{DD}$   | 2.97 | 3.30 | 3.63           | V    |   |
|                | $V_{PROG}$ | 5.25 | 5.5  | $V_{DD} + 2.5$ | V    | $\overline{CS}$ pin only; used only for one time programmable (OTP) programming; perform OTP programming only with $V_{DD} = 3.3 \text{ V}$ |
| SUPPLY CURRENT | $I_{DD}$   | 252  | 268  |                | mA   | Using typical configuration in Table 3  |
|                |            | 373  | 397  |                | mA   | Using all blocks running configuration in Table 3   |

### POWER DISSIPATION

$V_{DD} = 2.5 \text{ V} \pm 5\%$ ,  $T_A = -25^\circ\text{C}$  to  $+85^\circ\text{C}$ . Maximum power is at  $V_{DD} = 2.625 \text{ V}$  and is usually 11% higher than typical.

Table 3.

| Parameter                         | Min | Typ | Max  | Unit | Test Conditions/Comments  |
|-----------------------------------|-----|-----|------|------|---|
| POWER DISSIPATION                 |     |     |      |      |   |
| Typical Configuration             |     | 618 | 696  | mW   | XTAL: 25 MHz<br>REFOUT driver: disabled<br>PLL1: one LVPECL driver at 644.53125 MHz<br>PLL2: one single-ended LVCMOS driver (with 80 pF load) at 100 MHz                  |
| All Blocks Running                |     | 913 | 1018 | mW   | XTAL: 49.152 MHz XTAL on both XTAL inputs<br>REFOUT driver: LVPECL mode, 49.152 MHz<br>PLL1: two LVPECL drivers at 693.812 MHz<br>PLL2: two LVPECL drivers at 693.812 MHz |
| Full Power-Down                   |     | 67  | 75   | mW   | $\overline{PDT}$ pin grounded; Register 0x02 = 0x015555 to disable remainder of chip  |
| Incremental Power Dissipation     |     |     |      |      | Starting with typical configuration; change in power due to the indicated operation   |
| Crystal Reference On/Off          |     | 25  |      | mW   |   |
| PLL On/Off                        |     | 259 |      | mW   | PLL1 or PLL2 on/off, including output drivers or channel dividers   |
| Output Distribution Driver On/Off |     |     |      |      |   |
| HCSL (at 644.53 MHz)              |     | 75  |      | mW   | Each output of a differential pair has 50 $\Omega$ to ground  |
| LVDS (at 644.53 MHz)              |     | 43  |      | mW   | 100 $\Omega$ across differential pair   |
| LVPECL (at 644.53 MHz)            |     | 107 |      | mW   | 50 $\Omega$ to $V_{DD} - 2 \text{ V}$   |
| 3.3 V LVCMOS (at 25 MHz)          |     | 75  |      | mW   | A single 3.3 V LVCMOS output with an 80 pF load   |

**LOGIC INPUTS ( $\overline{CS}$ ,  $\overline{PD1}$ , OEREF, OE1, OE2, OE3, OE4)**

Table 4.

| Parameter  | Min  | Typ | Max            | Unit    | Test Conditions/Comments   |
|--|------|-----|----------------|---------|--|
| LOGIC INPUTS ( $\overline{CS}$ in OTP FUNCTION)                                |      |     |                |         | Specifications apply to the $\overline{CS}$ pin while in OTP programming mode            |
| Input Voltage ( $V_{PROG}$ )   | 5.25 | 5.5 | $V_{DD} + 2.5$ | V       | See $V_{PROG}$ definition in Table 1; OTP programming must be done with $V_{DD} = 3.3$ V |
| Input Current  |      | 20  | 25             | mA      | Current consumed during OTP programming  |
| Time to OTP Program  | 800  |     |                | $\mu$ s | Time required per bit programmed   |
| LOGIC INPUTS ( $\overline{PD1}$ , OEREF, OE1, OE2, OE3, OE4, $\overline{CS}$ ) |      |     |                |         | Numbers are valid for $V_{DD} = 2.5$ V and 3.3 V   |
| Input Voltage  |      |     |                |         |  |
| High ( $V_{IH}$ )  | 2.2  |     |                | V       |  |
| Low ( $V_{IL}$ )   |      |     | 0.8            | V       |  |
| Input Current ( $I_{INH}$ , $I_{INL}$ )  |      | 38  | 60             | $\mu$ A |  |
| Input Capacitance ( $C_{IN}$ )   |      | 3   |                | pF      |  |

**REFERENCE INPUTS (XO1, XO2, XO3, XO4)**

Table 5.

| Parameter  | Min  | Typ | Max  | Unit       | Test Conditions/Comments  |
|--|------|-----|------|------------|---|
| REFERENCE INPUT DRIVEN BY CRYSTAL RESONATOR  |      |     |      |            |   |
| Crystal Resonator Frequency Range  | 20   |     | 60   | MHz        | Fundamental mode, AT cut crystal  |
| Crystal Motional Resistance  |      |     | 100  | $\Omega$   | Guaranteed by design  |
| REFERENCE INPUT DRIVEN BY A DIFFERENTIAL CLOCK   |      |     |      |            |   |
| Input Frequency Range  | 20   |     | 60   | MHz        | This input is a source follower and must be either dc-coupled 1.8 V LVCMOS on the XO2 or XO4 pin, or ac-coupled |
| Input Slew Rate  | 133  |     |      | V/ $\mu$ s | Assumes ac-coupled LVDS (494 mV p-p across the differential pair)   |
| Differential Input Voltage Sensitivity   | 250  |     |      | mV p-p     | Minimum limit imposed for jitter performance  |
| Minimum voltage across pins required to ensure switching between logic states; the instantaneous voltage on either pin must not exceed the supply rails; can accommodate single-ended input by ac grounding of complementary input |      |     |      |            |   |
| REFERENCE INPUT DRIVEN BY A SINGLE-ENDED CLOCK   |      |     |      |            |   |
| Input Frequency Range  | 20   |     | 60   | MHz        | The XO2 pin (for PLL1) and XO4 pin (for PLL2) input accepts dc-coupled 1.8 V LVCMOS                             |
| Input Slew Rate  | 67   |     |      | V/ $\mu$ s | DC-coupled  |
| Single-Ended Input (XO2, XO4 Pins Only)  |      |     |      |            | Minimum limit imposed for jitter performance  |
| Input Voltage  |      |     |      | V          |   |
| High ( $V_{IH}$ )  | 1.48 |     |      |            |   |
| Low ( $V_{IL}$ )   |      |     | 0.98 | V          |   |

DISTRIBUTION CLOCK OUTPUTS (INCLUDING REFOUT/ $\overline{\text{REFOUT}}$ )

Table 6.

| Parameter                                | Min  | Typ  | Max  | Unit | Test Conditions/Comments   |
|--|------|------|------|------|--|
| <b>3.3 V LVPECL MODE</b>                 |      |      |      |      |  |
| Output Frequency                         | 11.8 |      | 919  | MHz  | $V_{DD} = 3.3\text{V}$ ; $50\ \Omega$ to $V_{DD} - 2\text{V}$ termination at output pins<br>REFOUT/ $\overline{\text{REFOUT}}$ limited to 60 MHz |
| Rise Time (20% to 80%)                   |      | 130  | 183  | ps   |  |
| Fall Time (80% to 20%)                   |      | 142  | 203  | ps   |  |
| Duty Cycle, OUTPUT1 and OUTPUT4          |      |      |      |      |  |
| $111.8 \leq f_{OUT} \leq 357\text{ MHz}$ | 50   | 52   | 54   | %    | Output divider settings other than 4.5   |
| $357 < f_{OUT} \leq 919\text{ MHz}$      | 43   | 47   | 51   | %    | Output divider settings other than 4.5   |
| Output Divider = 4.5                     | 46   | 50   | 54   | %    | Measured at 765 MHz  |
| Duty Cycle, OUTPUT2 and OUTPUT3          |      |      |      |      |  |
| $111.8 \leq f_{OUT} \leq 357\text{ MHz}$ | 49   | 51   | 53   | %    | Output divider settings other than 4.5   |
| $357 < f_{OUT} \leq 919\text{ MHz}$      | 45   | 49   | 51   | %    | Output divider settings other than 4.5   |
| Output Divider = 4.5                     | 51   | 57   | 63   | %    | Measured at 765 MHz  |
| Differential Output Voltage Swing        | 700  | 850  | 1000 | mV   | Voltage across pins at minimum output frequency; if a differential probe is used, peak-to-peak voltage ( $V_{PP}$ ) is $2\times$ this value      |
| Common-Mode Output Voltage               | 1.81 | 1.91 | 2.01 | V    |  |
| <b>2.5 V LVPECL MODE</b>                 |      |      |      |      |  |
| Output Frequency                         | 11.8 |      | 919  | MHz  | $V_{DD} = 2.5\text{V}$ ; $50\ \Omega$ to $V_{DD} - 2\text{V}$ termination at output pins<br>REFOUT/ $\overline{\text{REFOUT}}$ limited to 60 MHz |
| Rise Time (20% to 80%)                   |      | 137  | 186  | ps   |  |
| Fall Time (80% to 20%)                   |      | 148  | 209  | ps   |  |
| Duty Cycle, OUTPUT1 and OUTPUT4          |      |      |      |      |  |
| $111.8 \leq f_{OUT} \leq 357\text{ MHz}$ | 50   | 52   | 54   | %    | Output divider settings other than 4.5   |
| $357 < f_{OUT} \leq 919\text{ MHz}$      | 49   | 51   | 54   | %    | Output divider settings other than 4.5   |
| Output Divider = 4.5                     | 46   | 50   | 54   | %    | Measured at 765 MHz  |
| Duty Cycle, OUTPUT2 and OUTPUT3          |      |      |      |      |  |
| $111.8 \leq f_{OUT} \leq 357\text{ MHz}$ | 43   | 48   | 51   | %    | Output divider settings other than 4.5   |
| $357 < f_{OUT} \leq 919\text{ MHz}$      | 44   | 48   | 52   | %    | Output divider settings other than 4.5   |
| Output Divider = 4.5                     | 51   | 57   | 63   | %    | Measured at 765 MHz  |
| Differential Output Voltage Swing        | 700  | 850  | 1000 | mV   | Voltage across pins at minimum output frequency; if a differential probe is used, $V_{PP}$ is $2\times$ this value                               |
| Common-Mode Output Voltage               | 1.05 | 1.15 | 1.25 | V    |  |
| <b>3.3 V HCSSL MODE</b>                  |      |      |      |      |  |
| Output Frequency                         | 11.8 |      | 919  | MHz  | $50\ \Omega$ to ground termination at output pins<br>REFOUT/ $\overline{\text{REFOUT}}$ limited to 60 MHz  |
| Rise Time (20% to 80%)                   |      | 180  | 266  | ps   |  |
| Fall Time (80% to 20%)                   |      | 186  | 286  | ps   |  |
| Duty Cycle, OUTPUT1 and OUTPUT4          |      |      |      |      |  |
| $111.8 \leq f_{OUT} \leq 357\text{ MHz}$ | 51   | 52   | 54   | %    | Output divider settings other than 4.5   |
| $357 < f_{OUT} \leq 919\text{ MHz}$      | 48   | 51   | 54   | %    | Output divider settings other than 4.5   |
| Output Divider = 4.5                     | 49   | 52   | 56   | %    | Measured at 765 MHz  |
| Duty Cycle, OUTPUT2 and OUTPUT3          |      |      |      |      |  |
| $111.8 \leq f_{OUT} \leq 357\text{ MHz}$ | 50   | 53   | 54   | %    | Output divider settings other than 4.5   |
| $357 < f_{OUT} \leq 919\text{ MHz}$      | 48   | 51   | 53   | %    | Output divider settings other than 4.5   |
| Output Divider = 4.5                     | 53   | 59   | 67   | %    | Measured at 765 MHz  |
| Output High Voltage                      | 624  | 750  | 850  | mV   |  |
| Output Low Voltage                       | -50  | 0    | +50  | mV   |  |
| Output Voltage Swing ( $V_{SWING}$ )     | 624  | 750  | 850  | mV   | Voltage across pins at minimum output frequency; when a differential probe is used, $V_{PP}$ is $2\times$ this value                             |
| Absolute Crossing Point ( $V_{OX}$ )     | 295  | 360  | 400  | mV   |  |
| Short-Circuit Output Current             |      | 14   | 17   | mA   |  |

| Parameter  | Min  | Typ  | Max   | Unit | Test Conditions/Comments   |
|--|------|------|-------|------|--|
| <b>2.5 V HCSL MODE</b>                                 |      |      |       |      |  |
| Output Frequency                                       | 11.8 |      | 919   | MHz  | 50 $\Omega$ to ground termination at output pins<br>REFOUT/REFOUT $\bar$ limited to 60 MHz                                 |
| Rise Time (20% to 80%)                                 |      |      |       |      |  |
| OUTPUT1, OUTPUT2, OUTPUT3                              |      | 199  | 275   | ps   | Output divider settings other than 4.5   |
| OUTPUT4  |      | 243  | 370   | ps   | Output divider settings other than 4.5   |
| Fall Time (80% to 20%)                                 |      |      |       |      |  |
| OUTPUT1, OUTPUT2, OUTPUT3                              |      | 191  | 287   | ps   | Output divider settings other than 4.5   |
| OUTPUT4  |      | 226  | 329   | ps   | Output divider settings other than 4.5   |
| Duty Cycle, OUTPUT1 and OUTPUT4                        |      |      |       |      |  |
| 111.8 $\leq$ f <sub>OUT</sub> $\leq$ 357 MHz           | 50   | 52   | 54    | %    | Output divider settings other than 4.5   |
| 357 < f <sub>OUT</sub> $\leq$ 919 MHz                  | 47   | 50   | 53    | %    | Output divider settings other than 4.5   |
| Output Divider = 4.5                                   | 39   | 52   | 55    | %    | Measured at 765 MHz  |
| Duty Cycle, OUTPUT2 and OUTPUT3                        |      |      |       |      |  |
| 111.8 $\leq$ f <sub>OUT</sub> $\leq$ 357 MHz           | 50   | 52   | 54    | %    | Output divider settings other than 4.5   |
| 357 < f <sub>OUT</sub> $\leq$ 919 MHz                  | 48   | 50   | 53    | %    | Output divider settings other than 4.5   |
| Output Divider = 4.5                                   | 45   | 59   | 65    | %    | Measured at 765 MHz  |
| Output High Voltage                                    | 624  | 750  | 850   | mV   |  |
| Output Low Voltage                                     | -50  | 0    | 50    | mV   |  |
| Output Voltage Swing (V <sub>SWING</sub> )             | 624  | 750  | 850   | mV   | Voltage across pins at minimum output frequency; if a differential probe is used, V <sub>PP</sub> is 2 $\times$ this value |
| Absolute Crossing Point (V <sub>OX</sub> )             | 295  | 360  | 400   | mV   |  |
| Short-Circuit Output Current                           |      | 14   | 17    | mA   |  |
| <b>LVDS MODE (V<sub>DD</sub> = 3.3 V and 2.5 V)</b>    |      |      |       |      |  |
| Output Frequency                                       | 11.8 |      | 919   | MHz  | 100 $\Omega$ termination across the output pair<br>REFOUT/REFOUT $\bar$ limited to 54 MHz                                  |
| Rise Time (20% to 80%)                                 |      | 173  | 215   | ps   |  |
| Fall Time (80% to 20%)                                 |      | 177  | 223   | ps   |  |
| OUTPUT1 and OUTPUT4 Duty Cycle                         |      |      |       |      |  |
| 111.8 $\leq$ f <sub>OUT</sub> $\leq$ 357 MHz           | 50   | 52   | 54    | %    | Output divider settings other than 4.5   |
| 357 < f <sub>OUT</sub> $\leq$ 919 MHz                  | 46   | 50   | 54    | %    | Output divider settings other than 4.5   |
| Output Divider = 4.5                                   | 49   | 52   | 55    | %    | Measured at 765 MHz  |
| OUTPUT2 and OUTPUT3 Duty Cycle                         |      |      |       |      |  |
| 111.8 $\leq$ f <sub>OUT</sub> $\leq$ 357 MHz           | 50   | 52   | 54    | %    | Output divider settings other than 4.5   |
| 357 < f <sub>OUT</sub> $\leq$ 919 MHz                  | 46   | 50   | 53    | %    | Output divider settings other than 4.5   |
| Output Divider = 4.5                                   | 51   | 59   | 66    | %    | Measured at 765 MHz  |
| Differential Output Voltage Swing                      |      |      |       |      |  |
| Balanced, V <sub>OD</sub>                              | 247  |      | 454   | mV   | Voltage across pins at minimum output frequency; if a differential probe is used, V <sub>PP</sub> is 2 $\times$ this value |
| Unbalanced, $\Delta$ V <sub>OD</sub>                   |      |      | 50    | mV   | Absolute difference between voltage swing of true pin and complementary pin  |
| Offset Voltage   |      |      |       |      |  |
| Common Mode, V <sub>OS</sub>                           | 1.08 | 1.26 | 1.375 | V    |  |
| Common-Mode Difference, $\Delta$ V <sub>OS</sub>       |      |      | 50    | mV   | Voltage difference between pins at minimum output frequency  |
| Short-Circuit Output Current                           |      | 16   | 24    | mA   |  |
| <b>LVC MOS MODE (V<sub>DD</sub> = 3.3 V and 2.5 V)</b> |      |      |       |      |  |
| Output Frequency                                       | 11.8 |      | 250   | MHz  | REFOUT limited to 60 MHz<br>Capacitor load (C <sub>LOAD</sub> ) = 10 pF  |
| Rise Time (20% to 80%)                                 |      |      |       |      |  |
| 330 $\Omega$ Pull-Down Resistor                        |      | 1.3  | 1.9   | ns   |  |
| 3.3 k $\Omega$ Pull-Down Resistor                      |      | 1.2  | 1.7   | ns   |  |
| Fall Time (20% to 80%)                                 |      |      |       |      |  |
| 330 $\Omega$ Pull-Down Resistor                        |      | 1.3  | 2     | ns   | C <sub>LOAD</sub> = 10 pF  |
| 3.3 k $\Omega$ Pull-Down Resistor                      |      | 1.5  | 2.4   | ns   |  |

| Parameter                           | Min  | Typ  | Max  | Unit | Test Conditions/Comments  |
|-------------------------------------|------|------|------|------|---|
| Duty Cycle (20% to 80%)             |      |      |      | ns   | $C_{LOAD} = 10 \text{ pF}$  |
| 330 $\Omega$ Pull-Down Resistor     | 43   | 52   | 62   | %    |   |
| 3.3 k $\Omega$ Pull-Down Resistor   | 44   | 53   | 63   | %    |   |
| Output Voltage High ( $V_{OH}$ )    |      |      |      |      | At minimum output frequency; outputs terminated 50 $\Omega$ to $V_{DD}/2$ |
| $V_{DD} = 3.3 \text{ V}$            | 3.0  | 3.1  | 3.35 | V    |   |
| $V_{DD} = 2.5 \text{ V}$            | 1.9  | 2.0  | 2.1  | V    |   |
| Output Voltage Low ( $V_{OL}$ )     |      |      |      |      | At minimum output frequency; outputs terminated 50 $\Omega$ to $V_{DD}/2$ |
| $V_{DD} = 3.3 \text{ V}$            | 0.22 | 0.32 | 0.42 | V    |   |
| $V_{DD} = 2.5 \text{ V}$            | 0.2  | 0.3  | 0.4  | V    |   |
| OUTPUT TIMING SKEW                  |      |      |      |      | OUTPUT2 lags OUTPUT1; OUTPUT3 lags OUTPUT4                                |
| LVPECL                              |      |      |      |      |   |
| Between OUTPUT1 and OUTPUT2 Drivers |      | 90   |      | ps   | LVPECL mode on both drivers; rising edge only; any divide value           |
| Between OUTPUT3 and OUTPUT4 Drivers |      | 102  |      | ps   | LVPECL mode on both drivers; rising edge only; any divide value           |
| LVDS                                |      |      |      |      |   |
| Between OUTPUT1 and OUTPUT2 Drivers |      | 94   |      | ps   | LVDS mode on both drivers; rising edge only; any divide value             |
| Between OUTPUT3 and OUTPUT4 Drivers |      | 100  |      | ps   | LVDS mode on both drivers; rising edge only; any divide value             |
| HCSL                                |      |      |      |      |   |
| Between OUTPUT1 and OUTPUT2 Drivers |      | 48   |      | ps   | HCSL mode on both drivers; rising edge only; any divide value             |
| Between OUTPUT3 and OUTPUT4 Drivers |      | 59   |      | ps   | HCSL mode on both drivers; rising edge only; any divide value             |
| LVC MOS                             |      |      |      |      |   |
| Between OUTPUT1 and OUTPUT2 Drivers |      | 64   |      | ps   | LVC MOS mode on both drivers; rising edge only; any divide value          |
| Between OUTPUT3 and OUTPUT4 Drivers |      | 59   |      | ps   | LVC MOS mode on both drivers; rising edge only; any divide value          |



**SERIAL PORT**

Table 7.

| Parameter                    | Min            | Typ | Max | Unit | Test Conditions/Comments  |
|------------------------------|----------------|-----|-----|------|---|
| <b>CS</b>                    |                |     |     |      | See Table 4 for using CS while in OTP programming mode  |
| Input Voltage                |                |     |     |      |   |
| Logic 1                      | 2.2            |     |     | V    |   |
| Logic 0                      |                |     | 1.2 | V    |   |
| Input Current                |                | 44  |     | μA   |   |
| Logic 1                      |                |     |     |      |   |
| Logic 0                      |                | 88  |     | μA   |   |
| Input Capacitance            |                | 2   |     | pF   |   |
| <b>SCK</b>                   |                |     |     |      | Internal 30 kΩ pull-down resistor   |
| Input Voltage                |                |     |     |      |   |
| Logic 1                      | 2.2            |     |     | V    |   |
| Logic 0                      |                | 0.8 | 1.2 | V    |   |
| Input Current                |                |     |     |      |   |
| Logic 1                      |                | 200 |     | μA   |   |
| Logic 0                      |                | 1   |     | μA   |   |
| Input Capacitance            |                | 2   |     | pF   |   |
| <b>SDI</b>                   |                |     |     |      |   |
| Input Voltage                |                |     |     |      |   |
| Logic 1                      | 2.2            |     |     | V    |   |
| Logic 0                      |                |     | 1.2 | V    |   |
| Input Current                |                |     |     |      |   |
| Logic 1                      |                | 1   |     | μA   |   |
| Logic 0                      |                | 1   |     | μA   |   |
| Input Capacitance            |                | 2   |     | pF   |   |
| <b>SDO/LOL</b>               |                |     |     |      |   |
| Output Logic 1 Voltage       | $V_{DD} - 0.6$ |     |     | V    | 1 mA load current   |
| Output Logic 0 Voltage       |                |     | 0.4 | V    | 1 mA load current   |
| <b>TIMING</b>                |                |     |     |      | See Figure 2  |
| <b>SCK</b>                   |                |     |     |      |   |
| Clock Rate, $1/t_{CLK}$      |                |     | 50  | MHz  | SDO/LOL pin maximum speed may be limited by excess capacitance on the receiver connected to the SDO/LOL pin |
| Write Only                   |                |     | 100 | MHz  |   |
| Pulse Width High, $t_{HIGH}$ | 2              |     |     | ns   |   |
| Pulse Width Low, $t_{LOW}$   | 2              |     |     | ns   |   |
| SDI to SCK Setup, $t_{DS}$   | 1.5            |     |     | ns   |   |
| SCK to SDI Hold, $t_{DH}$    | 2              |     |     | ns   |   |
| SCK to Valid SDO, $t_{DV}$   |                |     | 8   | ns   | SDO function of SDO/LOL pin (see Figure 33)<br>CS is normally held low during a complete SPI transaction    |
| CS to SCK Setup, $t_s$       | 65             |     |     | ns   |   |
| CS to SCK Hold, $t_c$        | 0              |     |     | ns   |   |
| CS Minimum Pulse Width High  | 65             |     |     | ns   |   |

**Timing Diagram**

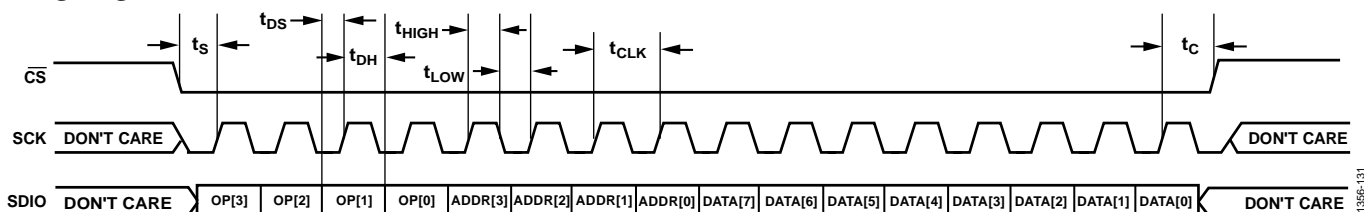


Figure 2. Serial Port Timing Diagram

**DIGITAL PLL**

Table 8.

| Parameter           | Min | Typ | Max | Unit | Test Conditions/Comments |
|---------------------|-----|-----|-----|------|--------------------------|
| FREQUENCY STEP SIZE | 0.1 |     |     | ppb  |                          |

**DIGITAL FUNCTIONS TIMING**

Table 9.

| Parameter                     | Min | Typ | Max | Unit | Test Conditions/Comments  |
|-------------------------------|-----|-----|-----|------|---|
| OTP PROGRAMMING TIME, PER BIT | 0.8 | 1   | 2   | ms   | See Table 4 for using $\overline{CS}$ while in OTP programming mode (the AD9578 has 444 bits; therefore, the total programming time is < 1 sec) |
| POWER-ON RESET TIME           | 4   |     |     | ms   | Do not access serial port during power-on reset.  |

**JITTER GENERATION USING 49.152 MHZ CRYSTAL**

Both PLLs are generating the same output frequency and use a 49.152 MHz crystal for the input reference. The loop bandwidth is set to the default value of 300 kHz. Where multiple driver types are listed, there is no significant difference between driver types.

Table 10.

| Parameter                         | Min | Typ | Max | Unit   | Test Conditions/Comments                        |
|-----------------------------------|-----|-----|-----|--------|---|
| JITTER GENERATION                 |     |     |     |        | Fractional mode on, $f_{REF} = 49.152$ MHz XTAL |
| LVPECL, HCSL, LVDS Driver         |     |     |     |        |   |
| $f_{OUT} = 622.08$ MHz            |     |     |     |        |   |
| Bandwidth: 12 kHz to 20 MHz       |     | 320 |     | fs rms |   |
| Bandwidth: 20 kHz to 80 MHz       |     | 370 |     | fs rms |   |
| $f_{OUT} = 693.48$ MHz            |     |     |     |        |   |
| Bandwidth: 12 kHz to 20 MHz       |     | 403 |     | fs rms |   |
| Bandwidth: 20 kHz to 80 MHz       |     | 408 |     | fs rms |   |
| $f_{OUT} = 174.703$ MHz           |     |     |     |        |   |
| Bandwidth: 12 kHz to 20 MHz       |     | 403 |     | fs rms |   |
| Bandwidth: 20 kHz to 80 MHz       |     | 410 |     | fs rms |   |
| $f_{OUT} = 161.1328$ MHz          |     |     |     |        |   |
| Bandwidth: 12 kHz to 20 MHz       |     | 361 |     | fs rms |   |
| Bandwidth: 20 kHz to 80 MHz       |     | 363 |     | fs rms |   |
| LVPECL, HCSL, LVDS, LVCMOS Driver |     |     |     |        |   |
| $f_{OUT} = 156.25$ MHz            |     |     |     |        |   |
| Bandwidth: 12 kHz to 20 MHz       |     | 350 |     | fs rms |   |
| Bandwidth: 1.875 MHz to 20 MHz    |     | 77  |     | fs rms |   |
| Bandwidth: 20 kHz to 80 MHz       |     | 352 |     | fs rms |   |

**JITTER GENERATION USING 25 MHZ SQUARE WAVE**

Both PLLs are generating the same output frequency and use a 25 MHz square wave for the input reference. The loop bandwidth is set to the default value of 300 kHz. Where multiple driver types are listed, there is no significant difference between driver types. Fractional mode turned on, unless otherwise stated.

**Table 11.**

| Parameter                         | Min | Typ | Max | Unit   | Test Conditions/Comments       |
|-----------------------------------|-----|-----|-----|--------|--------------------------------|
| JITTER GENERATION                 |     |     |     |        | $f_{REF} = 25$ MHz square wave |
| LVPECL, HCSL, LVDS Driver         |     |     |     |        |                                |
| $f_{OUT} = 622.08$ MHz            |     |     |     |        |                                |
| Bandwidth: 12 kHz to 20 MHz       |     | 515 |     | fs rms |                                |
| Bandwidth: 20 kHz to 80 MHz       |     | 516 |     | fs rms |                                |
| $f_{OUT} = 693.48$ MHz            |     |     |     |        |                                |
| Bandwidth: 12 kHz to 20 MHz       |     | 504 |     | fs rms |                                |
| Bandwidth: 20 kHz to 80 MHz       |     | 505 |     | fs rms |                                |
| $f_{OUT} = 174.703$ MHz           |     |     |     |        |                                |
| Bandwidth: 12 kHz to 20 MHz       |     | 517 |     | fs rms |                                |
| Bandwidth: 20 kHz to 80 MHz       |     | 523 |     | fs rms |                                |
| $f_{OUT} = 161.1328$ MHz          |     |     |     |        |                                |
| Bandwidth: 12 kHz to 20 MHz       |     | 527 |     | fs rms |                                |
| Bandwidth: 20 kHz to 80 MHz       |     | 530 |     | fs rms |                                |
| LVPECL, HCSL, LVDS, LVCMOS Driver |     |     |     |        | Integer mode operation         |
| $f_{OUT} = 156.25$ MHz            |     |     |     |        |                                |
| Bandwidth: 12 kHz to 20 MHz       |     | 290 |     | fs rms |                                |
| Bandwidth: 1.875 MHz to 20 MHz    |     | 61  |     | fs rms |                                |
| Bandwidth: 20 kHz to 80 MHz       |     | 292 |     | fs rms |                                |

## ABSOLUTE MAXIMUM RATINGS

Table 12.

| Parameter  | Rating                      |
|--|-----------------------------|
| Supply Voltage ( $V_{DD}$ )                          | 4.6 V                       |
| Inputs ( $V_{IN}$ ) (Except for $\overline{CS}$ Pin) | -0.50 V to $V_{DD} + 0.5$ V |
| $\overline{CS}$ Pin                                  | $V_{DD} + 2.5$ V            |
| Outputs ( $V_{OUT}$ )                                | -0.50 V to $V_{DD} + 0.5$ V |
| Operating Temperature Range ( $T_A$ )<br>Industrial  | -25°C to +85°C              |
| Storage Temperature Range ( $T_S$ )                  | -65°C to +150°C             |

Stresses at or above those listed under Absolute Maximum Ratings may cause permanent damage to the product. This is a stress rating only; functional operation of the product at these or any other conditions above those indicated in the operational section of this specification is not implied. Operation beyond the maximum operating conditions for extended periods may affect product reliability.

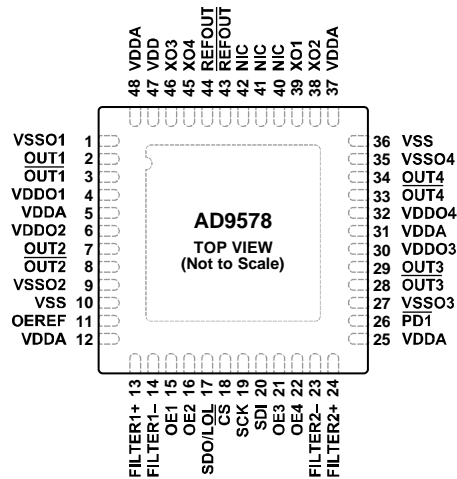
### ESD CAUTION



#### ESD (electrostatic discharge) sensitive device.

Charged devices and circuit boards can discharge without detection. Although this product features patented or proprietary protection circuitry, damage may occur on devices subjected to high energy ESD. Therefore, proper ESD precautions should be taken to avoid performance degradation or loss of functionality.

## PIN CONFIGURATION AND FUNCTION DESCRIPTIONS



- NOTES
1. NIC = NOT INTERNALLY CONNECTED. LEAVE THIS PIN UNCONNECTED.
  2. THE EXPOSED PAD ON THE BOTTOM OF THE PACKAGE MUST BE CONNECTED TO GROUND FOR PROPER OPERATION.

11386-002

Figure 3. Pin Configuration

Table 13. Pin Function Descriptions

| Pin No.               | Mnemonic                 | Type                   | Description  |
|-----------------------|--------------------------|------------------------|--|
| 1                     | VSSO1                    | Negative power         | Return Path Ground for Clock Output 1.   |
| 2                     | OUT1                     | Output                 | Clock Output 1 Derived from PLL1. Supports frequencies up to the device maximum. OUT1 is a selectable <sup>1</sup> pin. When used in LVCMOS mode, OUT1 is the active pin.  |
| 3                     | $\overline{\text{OUT1}}$ | Output                 | Active Low Clock Output 1 Derived from PLL1. Supports frequencies up to the device maximum. $\overline{\text{OUT1}}$ is a selectable <sup>1</sup> pin. $\overline{\text{OUT1}}$ is not used in LVCMOS mode; it is high-Z in LVCMOS mode. |
| 4                     | VDDO1                    | Supply, positive power | Power Supply for Clock Output 1.   |
| 5, 12, 25, 31, 37, 48 | VDDA                     | Supply, positive power | 2.5 V or 3.3 V Analog Power Supply.  |
| 6                     | VDDO2                    | Supply, positive power | Power Supply for Clock Output 2.   |
| 7                     | OUT2                     | Output                 | Clock Output 2 Derived from PLL1. Supports frequencies up to the device maximum. OUT2 is a selectable <sup>1</sup> pin. When used in LVCMOS mode, OUT2 is the active pin.  |
| 8                     | $\overline{\text{OUT2}}$ | Output                 | Active Low Clock Output 2 Derived from PLL1. Supports frequencies up to the device maximum. $\overline{\text{OUT2}}$ is a selectable <sup>1</sup> pin. $\overline{\text{OUT2}}$ is not used in LVCMOS mode; it is high-Z in LVCMOS mode. |
| 9                     | VSSO2                    | Negative power         | Return Path Ground for Clock Output 2.   |
| 10, 36                | VSS                      | Negative power         | Device Ground.   |
| 11                    | OEREF                    | Input                  | Output Enable for REFOUT and $\overline{\text{REFOUT}}$ Pins, LVCMOS. Active high. This pin has an internal 75 k $\Omega$ pull-down resistor.  |
| 13                    | FILTER1+                 | Filter                 | Phase-Locked Loop 1 (PLL1) Filter Node, Positive Side. Connect a 220 nF capacitor between this pin and Pin 14.   |
| 14                    | FILTER1-                 | Filter                 | PLL1 Filter Node, Negative Side. Connect a 220 nF capacitor between this pin and Pin 13.   |
| 15                    | OE1                      | Input                  | Output Enable 1 for Clock Output 1, LVCMOS. Places OUT1 and $\overline{\text{OUT1}}$ in a high-Z state. Active high. This pin has an internal 75 k $\Omega$ pull-up resistor.  |
| 16                    | OE2                      | Input                  | Output Enable 2 for Clock Output 2, LVCMOS. Places OUT2 and $\overline{\text{OUT2}}$ in a high-Z state. Active high. This pin has an internal 75 k $\Omega$ pull-up resistor.  |
| 17                    | SDO/LOL                  | Output                 | Serial Data Output for SPI Control/Loss of Lock, LVCMOS.   |
| 18                    | $\overline{\text{CS}}$   | Input                  | Chip Select for SPI Control, LVCMOS. Active low. When this pin is set to 5 V, OTP programming is enabled (see Table 4 and the OTP Programming section). This pin has an internal 75 k $\Omega$ pull-up resistor.                         |
| 19                    | SCK                      | Input                  | Serial Clock Input for SPI Control, LVCMOS.  |

| Pin No.    | Mnemonic                   | Type                   | Description   |
|------------|----------------------------|------------------------|---|
| 20         | SDI                        | Input                  | Serial Data Input for SPI Control, LVCMOS.  |
| 21         | OE3                        | Input                  | Output Enable 3 for Clock Output 3, LVCMOS. Places OUT3 and $\overline{\text{OUT3}}$ in a high-Z state. Active high is the default but active low is programmable. This pin has an internal 75 k $\Omega$ pull-up resistor.   |
| 22         | OE4                        | Input                  | Output Enable 4 for Clock Output 4, LVCMOS. Places OUT4 and $\overline{\text{OUT4}}$ in a high-Z state. Active high is the default but active low is programmable. This pin has an internal 75 k $\Omega$ pull-up resistor.   |
| 23         | FILTER2–                   | Filter                 | PLL2 Filter Node, Negative Side. Connect a 220 nF capacitor between this pin and Pin 24.  |
| 24         | FILTER2+                   | Filter                 | PLL2 Filter Node, Positive Side. Connect a 220 nF capacitor between this pin and Pin 23.  |
| 26         | $\overline{\text{PD1}}$    | Input                  | Active Low Power-Down for PLL1, LVCMOS. This pin has an internal 75 k $\Omega$ pull-up resistor.  |
| 27         | VSSO3                      | Negative power         | Return Path Ground for Clock Output 3.  |
| 28         | $\overline{\text{OUT3}}$   | Output                 | Active Low Clock Output 3 Derived from PLL2. Supports frequencies up to the device maximum. $\overline{\text{OUT3}}$ is a selectable <sup>1</sup> pin. $\overline{\text{OUT3}}$ is not used in LVCMOS mode; it is high-Z in LVCMOS mode.  |
| 29         | OUT3                       | Output                 | Clock Output 3 Derived from PLL2. Supports frequencies up to the device maximum. OUT3 is a selectable <sup>1</sup> pin. When used in LVCMOS mode, OUT3 is the active pin.   |
| 30         | VDDO3                      | Supply, positive power | Power Supply for Clock Output 3.  |
| 32         | VDDO4                      | Supply, positive power | Power Supply for Clock Output 4.  |
| 33         | $\overline{\text{OUT4}}$   | Output                 | Clock Output 4 Derived from PLL2. Supports frequencies up to the device maximum. $\overline{\text{OUT4}}$ is not used in LVCMOS mode and is high-Z. $\overline{\text{OUT4}}$ is a selectable <sup>1</sup> pin.  |
| 34         | OUT4                       | Output                 | Clock Output 4 Derived from PLL2. Supports frequencies up to the device maximum. OUT4 is a selectable <sup>1</sup> pin. When used in LVCMOS mode, OUT4 is the active pin.   |
| 35         | VSSO4                      | Negative power         | Return Path Ground for Clock Output 4.  |
| 38         | XO2                        | Input                  | Reference Input 1. Connect a crystal across this pin and XO1. Alternatively, the user can connect a 1.8 V LVCMOS clock to this pin only, or connect a differential, ac-coupled LVDS or LVPECL signal across this pin and the XO1 pin. This pin can be a crystal or reference input. |
| 39         | XO1                        | Input                  | Complementary Reference Input 1. Connect a crystal across this pin and XO2. Alternatively, the user can connect a differential, ac-coupled LVDS or LVPECL signal to this pin and the XO2 pin. This pin can be a crystal or reference input.   |
| 40, 41, 42 | NIC                        |                        | No Internal Connection. Leave these pins unconnected.   |
| 43         | $\overline{\text{REFOUT}}$ | Output                 | Active Low Reference Clock Output. This pin provides a copy of the reference input or crystal input frequency. $\overline{\text{REFOUT}}$ is a selectable <sup>1</sup> pin.   |
| 44         | REFOUT                     | Output                 | Reference Clock Output. This pin provides a copy of the reference input or crystal input frequency. REFOUT is a selectable <sup>1</sup> pin.  |
| 45         | XO4                        | Input                  | Reference Input 2. Connect a crystal across this pin and XO3. Alternatively, connect a 1.8 V LVCMOS clock to this pin only, or connect a differential, ac-coupled LVDS or LVPECL signal across this pin and the XO3 pin. This pin can be a crystal or reference input.              |
| 46         | XO3                        | Input                  | Complementary Reference Input 2. Connect a crystal across this pin and XO4. Alternatively, connect a differential, ac-coupled LVDS or LVPECL signal to this pin and the XO4 pin.  |
| 47         | VDD                        | Supply, positive power | 2.5 V or 3.3 V Power Supply for Device Core. This pin can be a crystal or reference input.  |
|            | EPAD                       |                        | Exposed Pad. The exposed pad on the bottom of the package must be connected to ground for proper operation.   |

<sup>1</sup>Selectable pins are factory programmed to a default power-up configuration. The user can override the default programming to support LVCMOS, LVDS, LVPECL, or HCSL mode after power-up using the SPI.

# TYPICAL PERFORMANCE CHARACTERISTICS

$f_R$  is the input reference clock frequency;  $f_{OUT}$  is the output clock frequency;  $V_{DD}$  at nominal supply voltage (3.3 V). 25 MHz square wave input is a dc-coupled 3.3 V LVCMOS signal with 0.8 ns (20% to 80%) rise time.

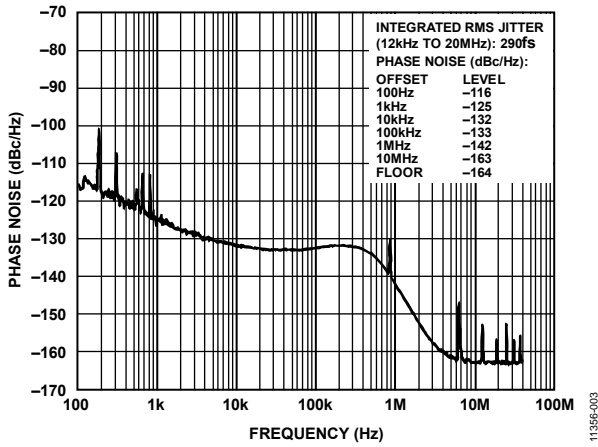


Figure 4. Absolute Phase Noise (Output Driver = LVDS),  $f_R = 25$  MHz Square Wave,  $f_{OUT} = 156.25$  MHz on Both PLLs

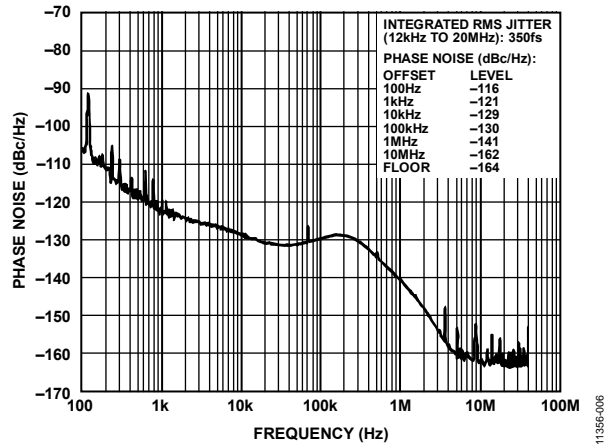


Figure 7. Absolute Phase Noise (Output Driver = LVDS),  $f_R = 49.152$  MHz Crystal,  $f_{OUT} = 156.25$  MHz on Both PLLs

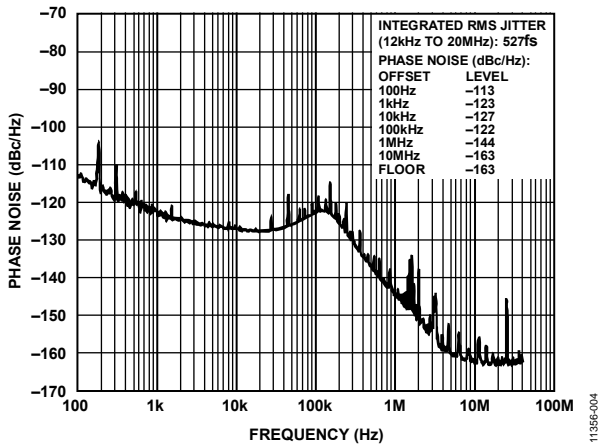


Figure 5. Absolute Phase Noise (Output Driver = LVCMOS),  $f_R = 25$  MHz Square Wave,  $f_{OUT} = 161.1328125$  MHz on Both PLLs

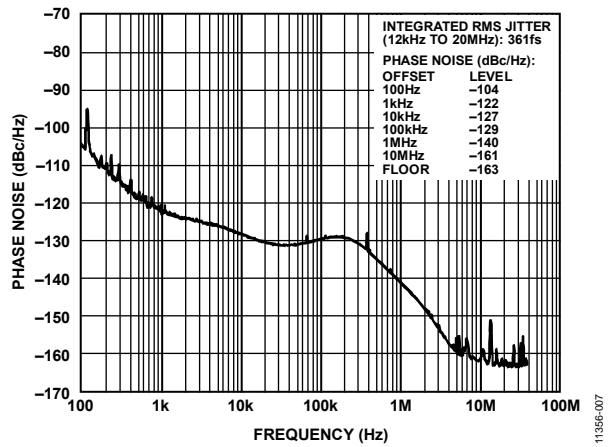


Figure 8. Absolute Phase Noise (Output Driver = 3.3V LVCMOS),  $f_R = 49.152$  MHz Crystal,  $f_{OUT} = 161.1328125$  MHz on Both PLLs

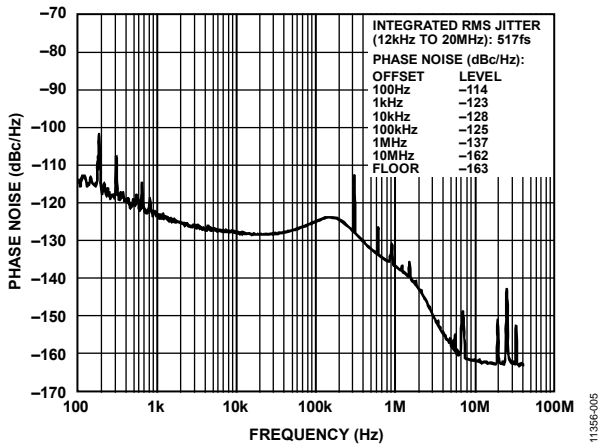


Figure 6. Absolute Phase Noise (Output Driver = LVPECL),  $f_R = 25$  MHz Square Wave,  $f_{OUT} = 174.703$  MHz on Both PLLs

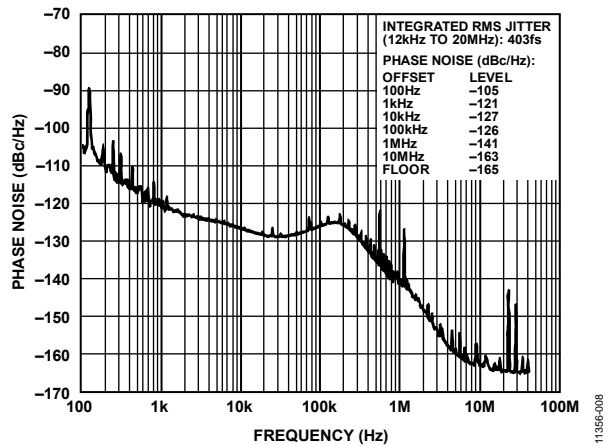


Figure 9. Absolute Phase Noise (Output Driver = LVPECL),  $f_R = 49.152$  MHz Crystal,  $f_{OUT} = 174.703$  MHz on Both PLLs

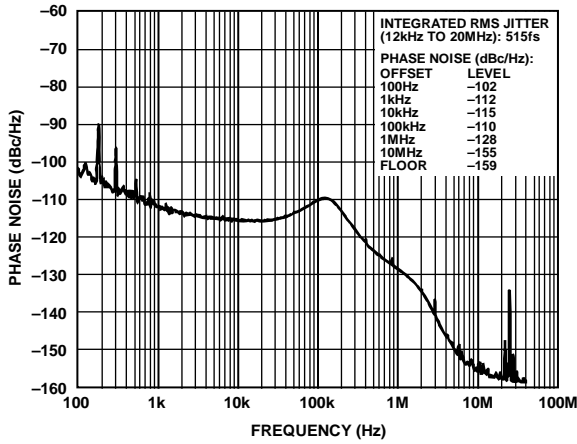


Figure 10. Absolute Phase Noise (Output Driver = LVPECL),  $f_R = 25$  MHz 3.3 V LVCMOS Square Wave,  $f_{OUT} = 622.08$  MHz on Both PLLs

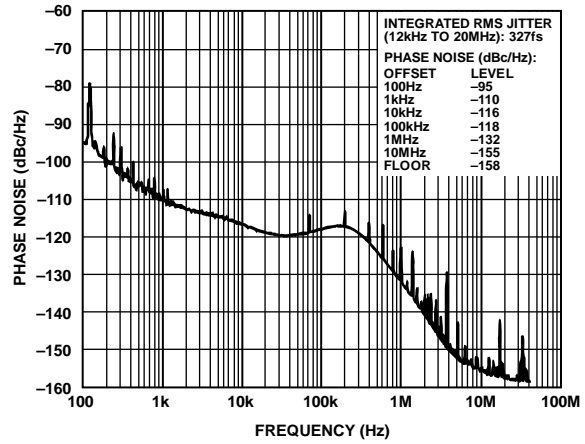


Figure 13. Absolute Phase Noise (Output Driver = LVPECL),  $f_R = 49.152$  MHz Crystal,  $f_{OUT} = 622.08$  MHz on Both PLLs

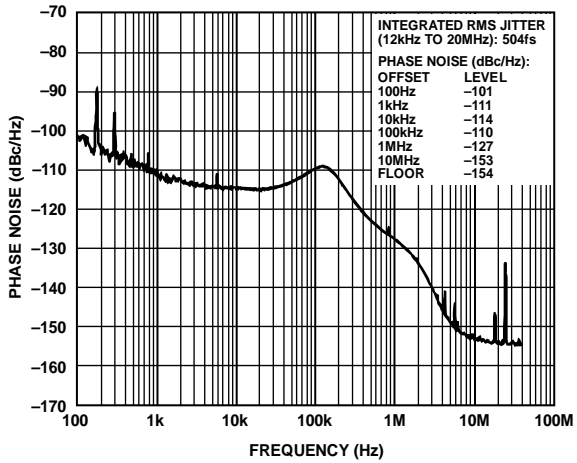


Figure 11. Absolute Phase Noise (Output Driver = LVPECL),  $f_R = 25$  MHz Square Wave,  $f_{OUT} = 693.482991$  MHz on Both PLLs

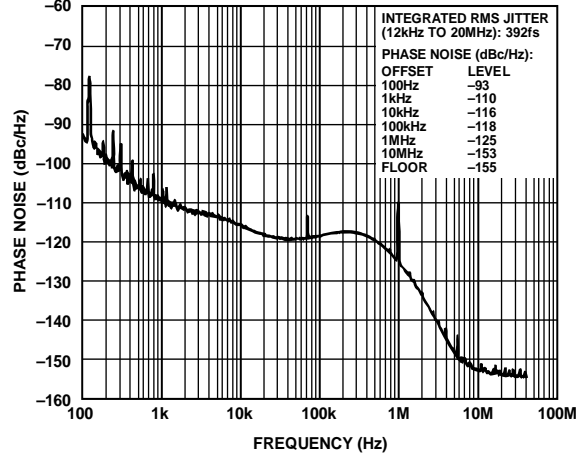


Figure 14. Absolute Phase Noise (Output Driver = LVPECL),  $f_R = 49.152$  MHz Crystal,  $f_{OUT} = 693.482991$  MHz on Both PLLs

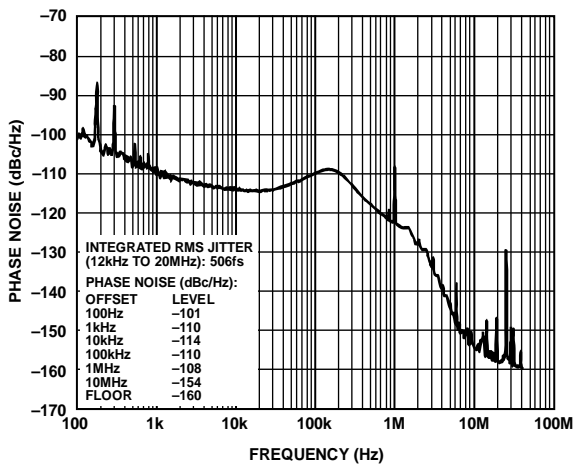


Figure 12. Absolute Phase Noise (Output Driver = LVPECL),  $f_R = 25$  MHz Square Wave on XO1/XO2 Pins,  $f_{OUT} = 919$  MHz on Both PLLs

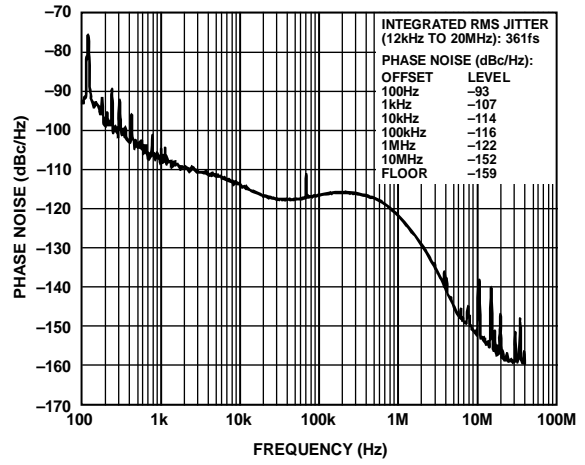


Figure 15. Absolute Phase Noise (Output Driver = LVPECL),  $f_R = 49.152$  MHz Crystal,  $f_{OUT} = 919$  MHz on Both PLLs



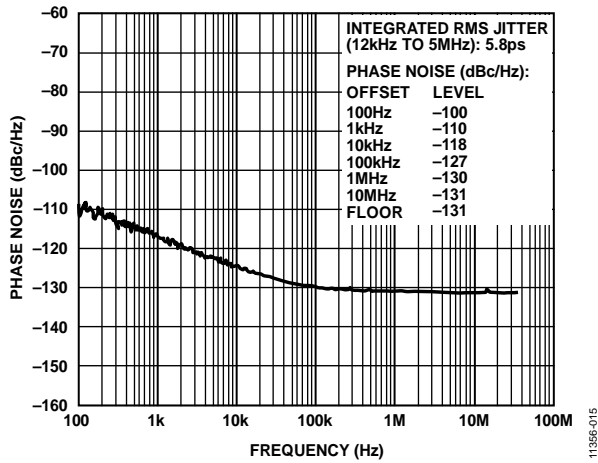


Figure 16. Phase Noise of 25 MHz, 3.3 V LVCMOS Input Clock Used

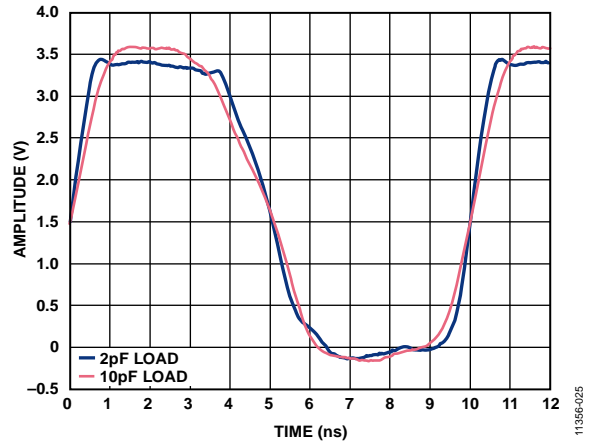


Figure 19. Output Waveform, 3.3 V CMOS (100 MHz)

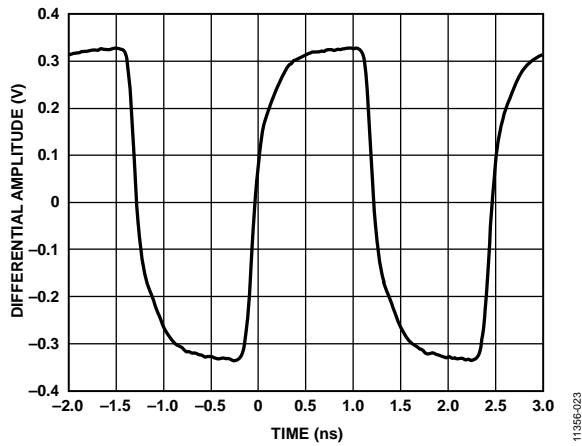


Figure 17. Output Waveform, LVDS (400 MHz)

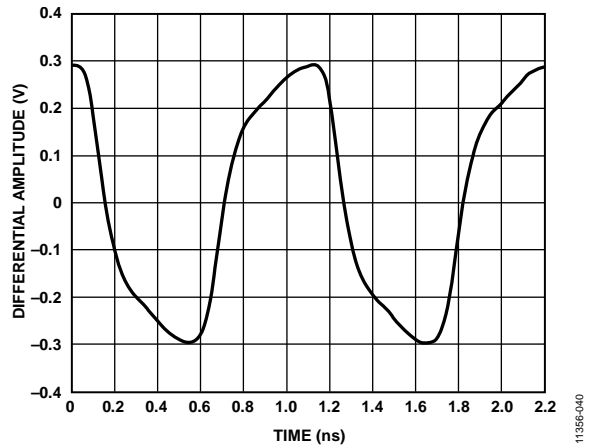


Figure 20. Output Waveform, LVDS (900 MHz)

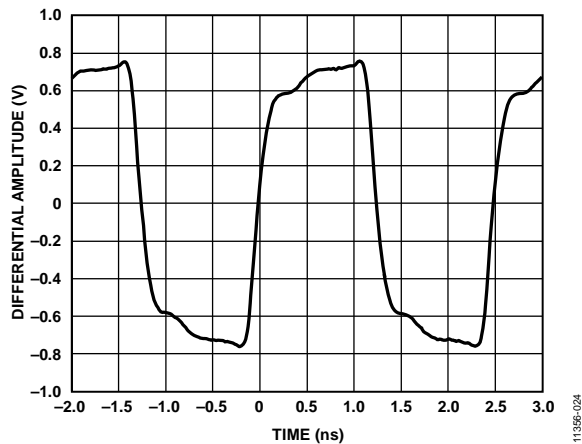


Figure 18. Output Waveform, HCSSL (400 MHz)

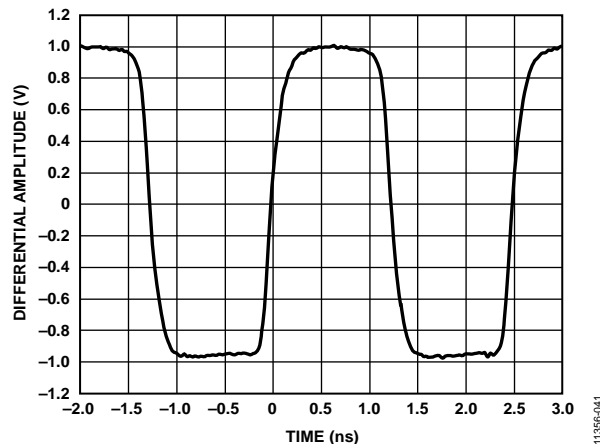


Figure 21. Output Waveform, LVPECL (400 MHz)

TEST SETUP AND CONFIGURATION CIRCUITS

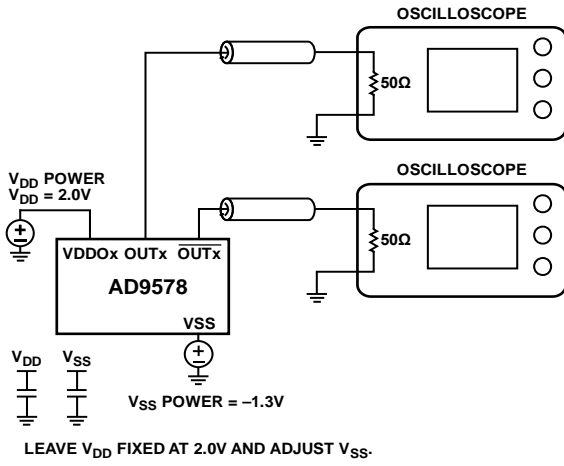


Figure 22. LVPECL Test Circuit

11356-030

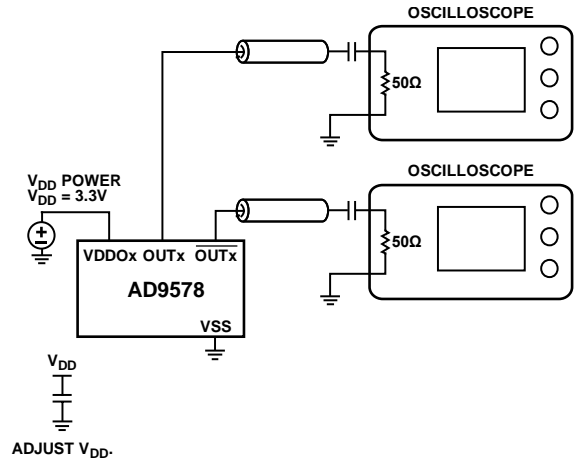


Figure 24. LVDS Test Circuit

11356-032

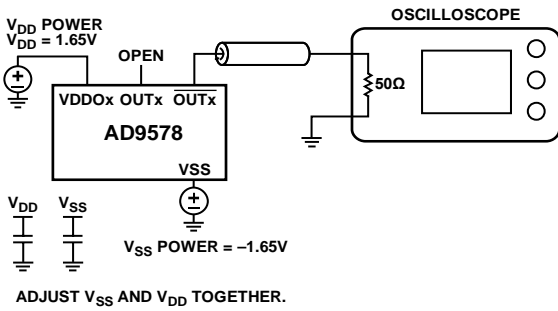


Figure 23. LVCMOS Test Circuit

11356-031

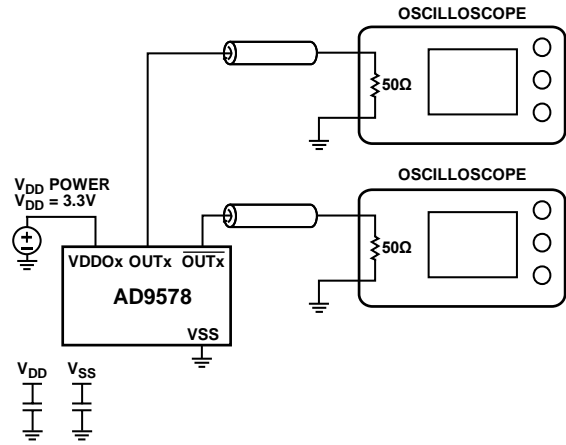


Figure 25. HCSL Test Circuit

11356-033

# INPUT/OUTPUT TERMINATION RECOMMENDATIONS

See Figure 26 to Figure 30 for recommendations on how to connect the outputs.

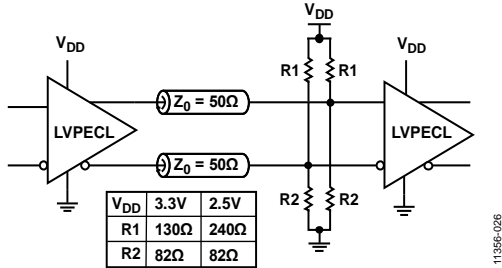


Figure 26. Thevenin Equivalent DC-Coupled LVPECL Termination

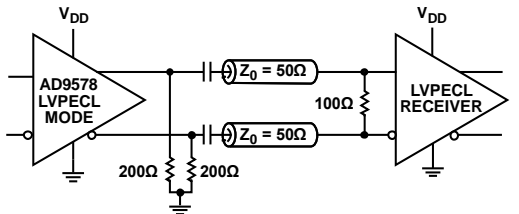


Figure 27. AC-Coupled LVPECL Termination

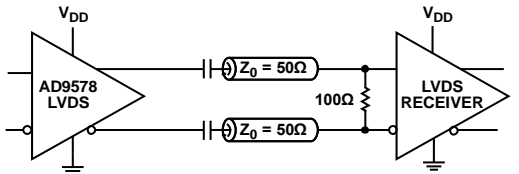
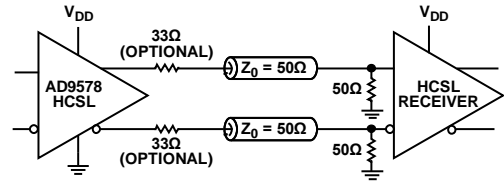


Figure 28. AC-Coupled LVDS



**NOTES**  
 1. THE 50Ω PULL-DOWN RESISTORS CAN BE PLACED IMMEDIATELY AFTER 33Ω SERIES RESISTORS, AND DOING SO ALLOWS THE USER TO PLACE MULTIPLE HIGH IMPEDANCE LOADS AT THE DESTINATION. FOR DRIVING A SINGLE LOAD, THE 50Ω PULL-DOWN RESISTORS CAN BE PLACED NEAR THE DRIVER OR NEAR THE DESTINATION. EITHER IMPLEMENTATION IS FINE.

Figure 29. DC-Coupled HCSSL

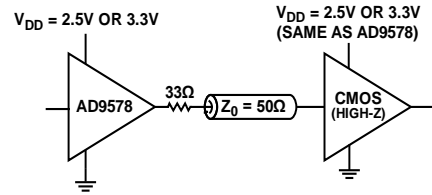


Figure 30. DC-Coupled LVCMOS Termination

## GETTING STARTED

### CHIP POWER MONITOR AND STARTUP

The [AD9578](#) monitors the voltage on the power supplies at power-up. When power supplies are greater than  $2.1\text{ V} \pm 0.1\text{ V}$ , the device generates an internal reset pulse, at which time, the [AD9578](#) loads the values programmed in OTP memory. Do not use the SPI until 4 ms after power-up to ensure that all registers are correctly loaded from the OTP memory and that all internal voltages are stable.

It is possible for the user to overwrite any value stored in the OTP memory if the security bits in Register 0x00 were not set at the time the OTP programming occurred. Take care not to overwrite the factory programmed calibrations (Register 11 through Register 14).

When programming the device through the serial port, write unused or reserved bits to their default values as listed in the register map.

### DEVICE REGISTER PROGRAMMING USING A REGISTER SETUP FILE

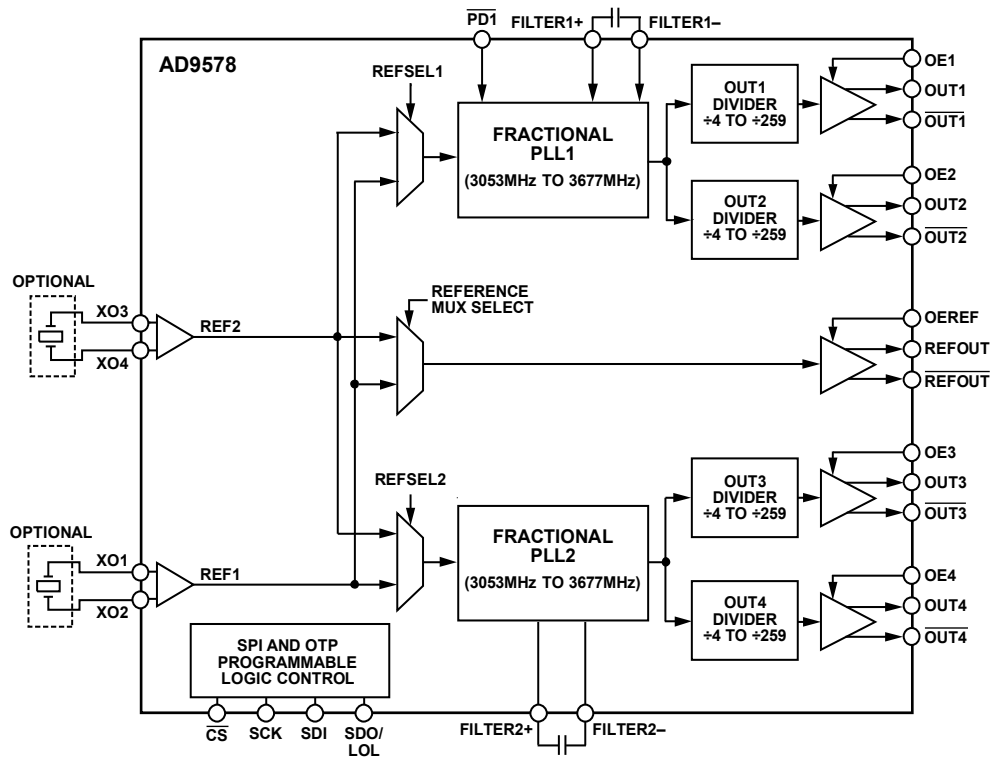
The evaluation software contains a programming wizard and a convenient graphical user interface that assists the user in determining the optimal configuration for the device. It generates a register setup file with a .STP extension that is easily readable using a text editor. These registers can be loaded directly into the [AD9578](#).

### OTP PROGRAMMING

The [AD9578](#) has 444 bits of OTP memory. OTP stores the nonvolatile default configuration used on power-up.

The default configuration is determined and programmed by the user. Use the SPI to overwrite these bits and change the operation of the [AD9578](#) after power-up. The SPI Programming section describes how the bits affect the device operation and how to use the SPI to modify them.

## THEORY OF OPERATION



NOTES  
1. IF SUPPLYING A SINGLE-ENDED 1.8V CMOS SIGNAL, CONNECT THE SIGNAL TO EITHER XO2 OR XO4.

Figure 31. Detailed Block Diagram

## OVERVIEW

The **AD9578** is a dual synthesizer with four programmable outputs. Two PLLs, with either a crystal or external reference input frequency, produce up to four unique output frequencies. Output format standards on each output include LVCMOS, LVDS, LVPECL, and HCSL. The input crystal is a low cost fundamental mode type, and the **AD9578** provides programmable gain and load capacitors. Alternatively, an input reference clock can be used for either or both PLLs. The crystal or external reference frequency is available on the REFOUT/REFOUT pins.

The PLLs operate independently but may share the input reference, if desired. Three modes of operation can be selected: integer mode, fractional mode, and rational mode. The integer mode provides the lowest noise and behaves like a conventional PLL with whole number dividers. The fractional mode allows the feedback divider to have an 8-bit integer part and a 28-bit fractional part, resulting in a frequency resolution of 0.1 ppb or better. Rotary traveling wave oscillator (RTWO)-based VCOs operate at rates from 3053 MHz to 3677 MHz. Rational mode is similar to fractional mode, but allows the user to specify the

feedback divider in terms of one integer divided by another. There are two output dividers on each VCO, with a range of 4 to 259. To prevent an output frequency gap between 750.8 MHz and 777.25 MHz, a special divide by 4.5 mode is also included. Any output frequency between 11.8 MHz and 919 MHz can be produced with a frequency error of 0.1 ppb or better.

Additional features include loss of lock indicators, smooth change of output frequency for small frequency steps, and SPI control. The **AD9578** can be configured through the SPI, factory programmed, user programmed, or any combination thereof. The **AD9578** ships with a default power-up configuration programmed into OTP memory. All settings can be reprogrammed after power-up using the SPI.

At offset frequencies below the PLL bandwidth (which is typically 300 kHz), the PLL tracks and multiplies the reference phase noise. The crystal input offers a very low phase noise reference, ensuring that the output phase noise near the carrier is low. When selecting the reference input signal, ensure that the phase noise of the reference input is low enough to meet the system noise requirements.

## PLL AND OUTPUT DRIVER CONTROL

Table 14. Register 2 Bits

| Bits    | Bit 7   | Bit 6   | Bit 5   | Bit 4   | Bit 3                   | Bit 2                                       | Bit 1   | Bit 0                                    |
|---------|---------|---|---------|---|-------------------------|---|---------|--|
| [23:16] | Unused  |   |         |   | MR<br>(master<br>reset) | MR enable<br>(set to 1 to<br>enable MR)     | REFOUT  | REFOUT enable<br>(override OEREF<br>pin) |
| [15:8]  | OUTPUT4 | Override OE4 pin                                  | OUTPUT3 | Override OE3 pin                                  | OUTPUT2                 | Override OE2<br>pin                         | OUTPUT1 | Override OE1<br>pin                      |
| [7:0]   | REFSEL2 | REFSEL2 enable<br>(set to 1 to enable<br>REFSEL2) | REFSEL1 | REFSEL1 enable<br>(set to 1 to enable<br>REFSEL1) | PLL2                    | PLL2 enable (set<br>to 1 to enable<br>PLL2) | PLL1    | PLL1 enable<br>(override PD1<br>pin)     |

Table 15. Register 4 Bits

| Bits   | Bit 7               | Bit 6                       | Bit 5             | Bit 4 | Bit 3             | Bit 2          | Bit 1             | Bit 0 |
|--------|---------------------|-----------------------------|-------------------|-------|-------------------|----------------|-------------------|-------|
| [15:8] | XTAL frequency trim | XTAL Capacitance Value[2:0] |                   |       | Unused            | XTAL Gain[2:0] |                   |       |
| [7:0]  | OUTPUT4 Mode[1:0]   |                             | OUTPUT3 Mode[1:0] |       | OUTPUT2 Mode[1:0] |                | OUTPUT1 Mode[1:0] |       |

### OVERVIEW

The AD9578 has five output drivers: OUTPUT1, OUTPUT2, OUTPUT3, OUTPUT4, and REFOUT. Each output can be individually configured as LVCMOS, LVDS, LVPECL, or HCSSL.

Each output has an output enable pin (OEx). Pin control of the outputs is enabled when the corresponding override OEx pin bit in Register 2 is low. When configured this way, the OUTPUTx bit is read only and indicates the status of the OEx pin.

When the override OEx pin (where x = 1 to 4) bit is high, the OUTPUTx bit in Register 2 turns OUTPUTx on and off. See Table 14 for the contents of Register 2.

The AD9578 ships with the default start-up output enable and output format functionality selected by the user. After power-up, the user can override the default programming through the SPI.

### PLL ENABLE/DISABLE

Each output is enabled only if the associated PLL is powered up. Bits[3:0] in Register 2 control this function. There are two ways to power up/down PLL1. If the PLLx enable bit is 0, the user can power down PLL1 by pulling the PD1 pin low. If the PLLx enable bit is high, PLL1 is powered up/down using the PLL1 bit (Bit 1). PLL2 is under software control only. Therefore, always set Bit 2 to 1. The PLL2 bit (Bit 3) powers up/down PLL2.

### Reading the Hardware OEx Pin States

By default, the AD9578 OEx pins determine which outputs are enabled. If the corresponding override OEx pin bits are not set in Register 2, the user can read the states of these pins by reading Register 2. Note that the OE1, OE2, OE3, and OE4 pins have 75 kΩ pull-up resistors.

### Disabling Hardware OEx Pin Control

To disable the hardware pin control, the associated override OEx pin bit can be set in Register 2 (see Table 14). The override OEx pin bits are OTP, allowing the device to power up with any output forced on, forced off, or controlled by the OEx pin. In Register 2, when the override OEx pin bit is set to 1, the corresponding OEx pin is ignored, and the OUTPUTx bit enables or disables an input or output. To enable an output, both the override OEx pin bit and the OUTPUTx bit in Register 2 must be set to 1.

### Glitch-Free Output Enable

When an output changes from disabled to enabled, there is an approximate 2 μs delay before switching begins. During this delay, the outputs settle to the appropriate dc differential levels according to the configured mode. After this initial delay, the outputs begin toggling without glitches or runt pulses.

### Output Disable Sequence

When an output changes from enabled to disabled, it stops switching at the appropriate dc levels according to the configured mode. After it has stopped switching, the biases are disabled and the output is set to high impedance.

## OUTPUT DRIVER FORMAT

The default power-up output mode is factory programmed to single-ended LVCMOS. The user can override the defaults using the serial port, and the drivers can be programmed simultaneously.

**Table 16. Output Driver Modes<sup>1</sup>**

| OUTPUTx Mode[1:0] | Output Mode |
|-------------------|-------------|
| 00                | LVCMOS      |
| 01                | LVDS        |
| 10                | LVPECL      |
| 11                | HCSL        |

<sup>1</sup> To disable any output through the SPI, the corresponding override OEx pin bit and OUTPUTx bit must be set to 1 and 0, respectively. This prevents any condition of the external OEx pin from affecting the state of the output driver. In OTP programming, setting the override bit to 1 disables the output pin permanently.

Note that all of the output modes are differential except LVCMOS mode. When LVCMOS is selected, the positive output pin is LVCMOS, and the negative (complementary) output pin is high impedance. The LVCMOS output driver mode can be used for output frequencies  $\leq 250$  MHz, and a

series termination resistor is recommended (see Figure 30). Place a series termination 33  $\Omega$  resistor within 7 mm of the AD9578. A 50  $\Omega$  transmission line configured this way is impedance matched. However, differential output modes are preferred over single-ended modes to preserve the high performance of the AD9578 and to reduce noise pickup and generation.

## OUTPUT CONFIGURATION EXAMPLE

Table 17 and Table 18 show how Register 2 and Register 4, respectively, are used to configure the AD9578 inputs and outputs.

PLL1 and PLL2 are enabled so that the output drivers connected to them are also enabled.

The OE1 and OE2 pins are ignored, OUTPUT1 is enabled and in LVCMOS mode, and OUTPUT2 is disabled. The OE3 and OE4 pins determine the state of OUTPUT3 and OUTPUT4, respectively. The REFOUT driver is disabled, OUTPUT3 is LVDS, and OUTPUT4 is LVPECL.

The X in Table 17 and Table 18 indicates that the register bit is not related to output driver configuration.

**Table 17. Example of Output Driver Configuration Using Register 2**

| Bits    | Bit 7         | Bit 6                | Bit 5       | Bit 4                | Bit 3                 | Bit 2                | Bit 1       | Bit 0                                  |
|---------|---------------|----------------------|-------------|----------------------|-----------------------|----------------------|-------------|--|
| [23:16] | Unused = XXXX |                      |             |                      | MR (master reset) = 0 | MR enable = 1        | REFOUT = 0  | REFOUT enable (override OEREF pin) = 1 |
| [15:8]  | OUTPUT4 = X   | Override OE4 pin = 0 | OUTPUT3 = X | Override OE3 pin = 0 | OUTPUT2 = 0           | Override OE2 pin = 1 | OUTPUT1 = 1 | Override OE1 pin = 1                   |
| [7:0]   | REFSEL2 = X   | REFSEL2 enable = X   | REFSEL1 = X | REFSEL1 enable = X   | PLL2 = 1              | PLL2 enable = 1      | PLL1 = 1    | PLL enable (override PD1 pin) = 1      |

**Table 18. Example of Output Driver Configuration Using Register 4**

| Bits   | Bit 7                    | Bit 6                              | Bit 5                  | Bit 4      | Bit 3                  | Bit 2 | Bit 1                  | Bit 0 |
|--------|--------------------------|------------------------------------|------------------------|------------|------------------------|-------|------------------------|-------|
| [15:8] | XTAL1 frequency trim = X | XTAL1 Capacitance Value[2:0] = XXX |                        | Unused = X | XTAL1 Gain[2:0] = XXX  |       |                        |       |
| [7:0]  | OUTPUT4 Mode[1:0] = 10   |                                    | OUTPUT3 Mode[1:0] = 01 |            | OUTPUT2 Mode[1:0] = XX |       | OUTPUT1 Mode[1:0] = 00 |       |

## REFERENCE INPUT

**Table 19. Register 2 Bits**

| Bits    | Bit 7   | Bit 6   | Bit 5   | Bit 4   | Bit 3             | Bit 2                                     | Bit 1   | Bit 0  |
|---------|---------|---|---------|---|-------------------|---|---------|--|
| [23:16] | Unused  |   |         |   | MR (master reset) | MR enable (set to 1 to enable MR bit)     | REFOUT  | REFOUT enable (override OEREF pin)                           |
| [15:8]  | OUTPUT4 | Override OE4 pin                                | OUTPUT3 | Override OE3 pin                                | OUTPUT2           | Override OE2 pin                          | OUTPUT1 | Override OE1 pin   |
| [7:0]   | REFSEL2 | REFSEL2 enable (set to 1 to enable REFSEL2 bit) | REFSEL1 | REFSEL1 enable (set to 1 to enable REFSEL1 bit) | PLL2              | PLL2 enable (set to 1 to enable PLL2 bit) | PLL1    | PLL1 enable (override PD1 pin) (set to 1 to enable PLL1 bit) |

**Table 20. Register 3 Bits**

| Bits    | Bit 7            | Bit 6                 | Bit 5                             | Bit 4                   | Bit 3                   | Bit 2                   | Bit 1                   | Bit 0                  |
|---------|------------------|-----------------------|-----------------------------------|-------------------------|-------------------------|-------------------------|-------------------------|------------------------|
| [31:24] | REFOUT mode[1:0] | Unused                | Enable activity detect (set to 1) | Reference mux select    | Enable XTAL1            | Unused                  |                         |                        |
| [23:16] | Unused           |                       |                                   |                         | Enable OUTPUT4 divider  | Enable OUTPUT3 divider  | Enable OUTPUT2 divider  | Enable OUTPUT1 divider |
| [15:8]  | Unused           | LVCMOS Edge Trim[2:0] |                                   | Enable OUTPUT4 4.5 mode | Enable OUTPUT3 4.5 mode | Enable OUTPUT2 4.5 mode | Enable OUTPUT1 4.5 mode |                        |
| [7:0]   | Exponent[3:0]    |                       |                                   |                         | Mantissa[3:0]           |                         |                         |                        |

## OVERVIEW

Two reference inputs are available for the PLLs. The user can connect either a crystal or an input clock to the XO1/XO2 pins or the XO3/XO4 pins. The allowable reference input logic types are 1.8 V LVCMOS, ac-coupled LVDS, and ac-coupled LVPECL. The crystal oscillators accept standard crystals from 22 MHz to 54 MHz. Either reference can be used by either PLL through the internal selectors. Likewise, either reference can be buffered to the REFOUT driver, which supports LVCMOS, LVDS, LVPECL, or HCSL format. OTP fuses are available to automatically load the user settings loaded each time the chip powers up or resets.

Register 2 contains the reference input control bits, Bits[7:4], and is shown in Table 19. Register 3 contains the configuration bits for the input reference buffer, and reference output, shown in Table 20. See the PLL and Output Driver Control section for information about the control of the reference output buffer.

## REFERENCE INPUT

**Table 21. PLL1 Reference Selection**

| Register 2     |                | Register 3     |                        |
|----------------|----------------|----------------|------------------------|
| REFSEL1 Enable | REFSEL1        | Enable XTAL1   | PLLx Reference         |
| 0              | X <sup>1</sup> | X <sup>1</sup> | Reference 1 (XO1, XO2) |
| 1              | 0              | X <sup>1</sup> | Reference 1 (XO1, XO2) |
| 1              | 1              | X <sup>1</sup> | Reference 2 (XO3, XO4) |

<sup>1</sup> X = don't care.

**Table 22. PLL2 Reference Selection**

| Register 2     |                | Register 10    |                        |
|----------------|----------------|----------------|------------------------|
| REFSEL2 Enable | REFSEL2        | Enable XTAL2   | PLLx Reference         |
| 0              | X <sup>1</sup> | X <sup>1</sup> | Reference 1 (XO1, XO2) |
| 1              | 0              | X <sup>1</sup> | Reference 1 (XO1, XO2) |
| 1              | 1              | X <sup>1</sup> | Reference 2 (XO3, XO4) |

<sup>1</sup> X = don't care.

## CRYSTAL OSCILLATOR AMPLIFIER ENABLE

The crystal oscillator amplifier is automatically enabled when either the PLLx or REFOUT bit in Register 2 uses the crystal oscillator for either Reference 1 or Reference 2. Otherwise, the crystal oscillator amplifier is disabled if neither the PLLx nor REFOUT bit selects that input. However, this setting can be overridden with the enable XTAL1 bit in Register 3 and enable XTAL2 bit in Register 10. Setting these bits forces the corresponding crystal oscillator on.

These bits are useful to allow a crystal to power up and stabilize before it is needed. However, these bits are usually set to 0 under normal operation.

## REFOUT/REFOUT SOURCE SELECTION

The REFOUT/REFOUT pins can be used to buffer the crystal oscillator signal. Like the other outputs, it can be set to LVPECL, LVDS, HCSL, or LVCMOS format (see the PLL and Output Driver Control section for more information).



## CRYSTAL OSCILLATOR INPUTS

Table 23. Register 4 Bits

| Bit Range | Bit 7                | Bit 6                        | Bit 5             | Bit 4  | Bit 3             | Bit 2 | Bit 1             | Bit 0 |
|-----------|----------------------|------------------------------|-------------------|--------|-------------------|-------|-------------------|-------|
| [15:8]    | XTAL1 frequency trim | XTAL1 Capacitance Value[2:0] |                   | Unused | XTAL1 Gain[2:0]   |       |                   |       |
| [7:0]     | OUTPUT4 Mode[1:0]    |                              | OUTPUT3 Mode[1:0] |        | OUTPUT2 Mode[1:0] |       | OUTPUT1 Mode[1:0] |       |

Table 24. Register 10 Bits

| Bit Range | Bit 7                | Bit 6                        | Bit 5 | Bit 4           | Bit 3          | Bit 2        | Bit 1 | Bit 0 |
|-----------|----------------------|------------------------------|-------|-----------------|----------------|--------------|-------|-------|
| [15:8]    | XTAL2 frequency trim | XTAL2 Capacitance Value[2:0] |       | XTAL2 Gain[2:0] |                | XTAL2 Enable |       |       |
| [7:0]     | Sync Step[3:0]       |                              |       |                 | Sync DIVN[3:0] |              |       |       |

### OVERVIEW

The quartz crystal inputs, XO1/XO2 and XO3/XO4, accept standard 8 pF to 12 pF AT cut crystals from 22 MHz to 54 MHz. These inputs have programmable gain and programmable on-chip load capacitors so that a wide range of crystals can be used.

In general, use the highest frequency crystal for lowest phase noise. If integer modes of PLL operation are possible, select the crystal such that the overall frequency multiplication is an integer value for lowest noise.

#### **XTAL Enable**

Setting the enable XTAL1 bit in Register 3 (for the crystal connected to the XO1/XO2 pins), or enable XTAL2 in Register 10 (for the crystal connected to the XO3/XO4 pins), and the REFSELx bit in Register 2 enables the second crystal oscillator. The second crystal oscillator (OSC2) is on Pin 45 and Pin 46, XO4 and XO3, respectively. OSC2 is useful if the crystal frequency on the first crystal oscillator (OSC1) results in an integer boundary spur; OSC2 can be set to a different frequency that does not cause an integer boundary. OSC2 is automatically enabled if it is selected and is disabled otherwise.

### CRYSTAL OSCILLATOR GAIN

Set the XTALx frequency trim bit in Register 4 and Register 10 if the crystal frequency is 33 MHz or lower. The recommended values for the bits in Register 4 and Register 10 are given in Table 25.

Table 25. XTALx Gain[2:0] Values

| Crystal Frequency (MHz) | XTALx Gain[2:0]   |                   |                   | XTALx Frequency Trim Bit |
|-------------------------|-------------------|-------------------|-------------------|--------------------------|
|                         | ESR = 25 $\Omega$ | ESR = 35 $\Omega$ | ESR = 45 $\Omega$ |                          |
| 22                      | 0                 | 1                 | 3                 | 1                        |
| 27                      | 1                 | 2                 | 4                 | 1                        |
| 33                      | 2                 | 3                 | 5                 | 1                        |
| 34                      | 1                 | 2                 | 3                 | 0                        |
| 39                      | 2                 | 3                 | 4                 | 0                        |
| 44                      | 3                 | 4                 | 5                 | 0                        |
| 49                      | 4                 | 5                 | 6                 | 0                        |
| 54                      | 5                 | 6                 | 7                 | 0                        |

### CRYSTAL LOAD CAPACITORS

The AD9578 has internal crystal load capacitors that are used as the load capacitance for an external crystal. XTALx Capacitance Value[2:0], Bits[14:12] in Register 4 (for the crystal connected to the XO1/XO2 pins) or Register 10 (for the crystal connected to the XO3/XO4 pins), set the on-chip load capacitance, as shown in Table 36.

## PLLs

### OVERVIEW

The two PLLs in the AD9578 operate independently. Each PLL consists of an input reference frequency (which can be shared), a phase/frequency detector, loop filter, RTWO-based VCO, complex feedback divider and phase selector, and two output dividers. The feedback divider can operate in two distinct modes: integer and fractional.

Using the AD9578 evaluation software is the easiest way to configure the AD9578. See the PLL Modes of Operation section for more information on the various register settings.

In the PLL Modes of Operation section, the possible feedback divider settings is expressed in Q notation, QN.M, where N (the integer part) is eight bits and M (the fractional part) is 28 bits.

The S[1:0] value represents the amount of phase interpolation used to represent a portion of the fractional part of the divider value. When S[1:0] = 3, there is no phase interpolation. When S[1:0] = 0, there is phase interpolation in 1/8 increments.

### PLL MODES OF OPERATION

The PLLs on the AD9578 have three modes of operation: integer, fractional, and rational. In this section, PLLx refers to either PLL1 (whose settings are in Register 6 and Register 7) or PLL2 (whose settings are Register 8 and Register 9).

The feedback divider has two parts: an 8-bit integer part and a 28-bit fractional part. The fractional part is modulated by a multistage noise shaping (MASH) modulator. The order of the MASH modulator is set in PLLx MASH[2:0] in Register 7 and Register 9, Bits[31:29].

Set the value of MASH[2:0] to 0 for integer mode, and 1 to 4 for fractional mode. Setting PLLx MASH[2:0] = 2 usually provides the lowest jitter for settings of PLLx Fractional Feedback Divider[27:0] greater than 2% from an integer. The value of S[1:0] is as follows: S[1:0] = 0, 1, and 2 results in eight, four, and two phases, respectively. Typically, a value of 0 for S[1:0] is best.

#### Fractional Mode

The fractional mode allows the feedback divider to take on a value of the Q notation, QN.M, where N (the integer part) is eight bits and M (the fractional part) is 28 bits. The VCO frequency divided by the feedback divider must always equal the reference frequency.

$$f_{VCO} = f_{IN} \times \left[ INT + \frac{FRAC}{2^{28}} \right]$$

where:

INT is PLLx Integer Feedback Divider[7:0] in Register 6 (for PLL1) or Register 8 (for PLL2).

FRAC is PLLx Fractional Feedback Divider[27:0] in Register 6 (for PLL1) or Register 8 (for PLL2)

#### Rational Mode

Rational mode allows the user to express the feedback divider as a ratio of rational numbers. Rational mode is enabled by setting the rational mode bit (Bit 2 in Register 7 (for PLL1) or Register 9 (for PLL2)) to 1.

**Table 26. Rational Mode Feedback Divider Calculation**

| S[1:0] | Feedback Divider (FBDIV) <sup>1</sup> | PLLx Fractional Feedback Divider[27:25] |
|--------|---------------------------------------|---|
| S = 0  | FBDIV = A + (1/8)(B + C/D)            | B = 0, 1, ..., 7 (Bits[27:25])          |
| S = 1  | FBDIV = A + (1/4)(B + C/D)            | B = 0, 1, 2, 3 (Bits[27:26])            |
| S = 2  | FBDIV = A + (1/2)(B + C/D)            | B = 0, 1 (Bit 27)                       |
| S = 3  | FBDIV = A + C/D                       | B ignored (Bits[27:25] = 000b)          |

<sup>1</sup> A is PLLx Integer Feedback Divider[7:0], C is PLLx Fractional Feedback Divider[24:9], D is PLLx Modulus Value[15:0].

#### Integer Mode

Integer mode provides the lowest possible phase noise and behaves like a traditional integer PLL in which the feedback divisor is an integer. Integer mode is a special case of rational mode in which the rational mode bit is zero, and the C and D terms in Table 26 are 0.

Integer mode is set when the following conditions are met:

- PLLx MASH[2:0] = 000b
- PLLx Fractional Feedback Divider[24:0] = 0x000
- If PLLx S[1:0] = 3 (no phase interpolation), PLLx Fractional Feedback Divider[27:25] must be zero.
- If PLLx S[1:0] = 2 (phase interpolation of ½ or 0) PLLx Fractional Feedback Divider[26:25] must be zero.
- If PLLx S[1:0] = 1, (phase interpolation of 1/4, 1/2, 3/4, or 0) PLLx Fractional Feedback Divider[25] must be zero.

When programming integer mode with S[1:0] = 0, the AD9578 is in integer mode (with better noise performance), even though the feedback divider has a fraction (for example, 1/8, 2/8, 3/8). When using this mode, the user must reset the feedback divider by writing a 1 to Bit 14 of Register 7 (for PLL1) or Register 9 (for PLL2).

#### NCO Functionality

Fractional mode allows operation as a precision NCO, which offers the capability of digitally pulling the output frequency using precise numerical control. A digital alternative to analog VCXOs that pull the crystal using varactors, NCO functionality enables completely digitally controlled PLLs that trim the output frequency through the fast SPI bus. Precise numerical control enables PLL applications to be implemented digitally within FPGAs and other digital ICs. Writing the AD9578 registers using an SPI bus that runs at 100 MHz allows the AD9578 output frequency to be updated frequently. The continuous trimming range of the output is greater than 1000 ppm, resulting

in better tracking range than is possible with analog VCXO-based PLLs.

The output frequencies change smoothly with no sudden phase step when the change to the feedback divider is small (for example, a change in phase or a few parts per million in frequency.) The change in the feedback divider is instantaneous, but the PLL response causes the PLL to change its frequency gradually. Thus, any changes small enough not to cause lock disturbance are smooth and continuous.

## VCO

The VCO has 28 frequency bands. PLLx Frequency Select[4:0] in Register 7 (for PLL1) or Register 9 (for PLL2) selects the VCO band according to Table 27. Using the AD9578 evaluation software is the easiest way to ensure that these bits are set correctly.

**Table 27. VCO Frequencies and  $K_{VCO}$  Band Settings**

| PLLx Frequency Select[4:0] <sup>1</sup> |        | VCO Min (MHz) | VCO Nom (MHz) | VCO Max (MHz) | PLLx $K_{VCO}$ Band <sup>2</sup> |
|---|--------|---------------|---------------|---------------|----------------------------------|
| Dec                                     | Binary |               |               |               |                                  |
| 0                                       | 00000  | 3642          | 3654          | 3677          | 0                                |
| 1                                       | 00001  | 3615          | 3623          | 3642          | 0                                |
| 2                                       | 00010  | 3583          | 3597          | 3615          | 0                                |
| 3                                       | 00011  | 3556          | 3568          | 3583          | 0                                |
| 4                                       | 00100  | 3532          | 3542          | 3556          | 0                                |
| 5                                       | 00101  | 3509          | 3518          | 3532          | 0                                |
| 6                                       | 00110  | 3486          | 3496          | 3509          | 0                                |
| 7                                       | 00111  | 3463          | 3473          | 3486          | 0                                |
| 8                                       | 01000  | 3440          | 3450          | 3463          | 0                                |
| 9                                       | 01001  | 3416          | 3426          | 3440          | 0                                |
| 10                                      | 01010  | 3391          | 3402          | 3416          | 0                                |
| 11                                      | 01011  | 3375          | 3382          | 3391          | 0                                |
| 12                                      | 01100  | 3360          | 3366          | 3375          | 0                                |
| 13                                      | 01101  | 3345          | 3350          | 3360          | 0                                |
| 14                                      | 01110  | 3307          | 3322          | 3345          | 1                                |
| 15                                      | 01111  | 3290          | 3298          | 3307          | 1                                |
| 16                                      | 10000  | 3268          | 3278          | 3290          | 1                                |
| 17                                      | 10001  | 3249          | 3256          | 3268          | 1                                |
| 18                                      | 10010  | 3228          | 3237          | 3249          | 1                                |
| 19                                      | 10011  | 3209          | 3217          | 3228          | 1                                |
| 20                                      | 10100  | 3189          | 3198          | 3209          | 1                                |
| 21                                      | 10101  | 3171          | 3179          | 3189          | 1                                |
| 22                                      | 10110  | 3154          | 3161          | 3171          | 1                                |
| 23                                      | 10111  | 3135          | 3143          | 3154          | 1                                |
| 24                                      | 11000  | 3119          | 3126          | 3135          | 1                                |
| 25                                      | 11001  | 3100          | 3108          | 3119          | 1                                |
| 26                                      | 11010  | 3084          | 3091          | 3100          | 1                                |
| 27                                      | 11011  | 3053          | 3072          | 3084          | 1                                |

<sup>1</sup> PLLx Frequency Select[4:0] is in Register 0x07 for PLL1 and Register 0x09 for PLL2.

<sup>2</sup> The PLLx  $K_{VCO}$  band bits are in Register 0x0C for PLL1 and Register 0x0E for PLL2.

The PLLx  $K_{VCO}$  band bit (Bit 31 in Register 0x0C for PLL1 and Bit 31 in Register 0x0E for PLL2) must be set to 1 for PLLx Frequency Select[4:0] values between 14 and 27, and must be 0 for Frequency Select[4:0] values between 0 and 13. The reserved bits in Register 11, Register 12, Register 13, and Register 14 are factory calibrated values, and must not be changed.

## CHARGE PUMP

The PLL charge pump current is programmed in Register 7 and Register 9, Bits[20:16], the CUR[4:0] value. CUR[4:0] can optimize the PLL bandwidth for minimum integrated phase noise. For crystals of approximately 50 MHz, CUR[4:0] values near 15 often produce the lowest noise. The AD9578 evaluation software generates these values for the user.

See Table 29 for a variety of output frequencies and settings for PLLx MASH[2:0], S[1:0], and CUR[4:0] when using a 49.152 MHz crystal.

## OUTPUT DIVIDERS

The output divider divides the RTWO frequency down to the required output frequency. There is one divider per output, and the divide ratios are located in Register 5 (see Table 28).

**Table 28. Output Divider Locations in Register 5**

| Bits    | Bits[7:0]            |
|---------|----------------------|
| [31:24] | OUTPUT4 Divider[7:0] |
| [23:16] | OUTPUT3 Divider[7:0] |
| [15:8]  | OUTPUT2 Divider[7:0] |
| [7:0]   | OUTPUT1 Divider[7:0] |

The output divider has a range of 4 to 259. Writing 0x04 to Address 0xFF to the output divider results in a divide ratio that is the same as the value stored in the register. Writing 0x00 to Address 0x03 to the output divider results in a divide ratio of 256 to 259, respectively.

For the special case of frequencies between 750 MHz and 778 MHz, which cannot be accessed with divide by 4 or divide by 5, a divide by 4.5 is provided. To divide by 4.5, set the enable OUTPUTx 4.5 mode bit in Register 3, Bits[11:8]. When the OUTPUTx 4.5 mode bit is set, the associated output divider ignores the value in Register 5 and divides by 4.5.

## LOSS OF LOCK INDICATOR

The lock status of a PLL can be monitored via the PLLx lock detect bit in Register 0x0F, Bit 21 (for PLL1) or Bit 23 (for PLL2). A value of 1 indicates lock and is the normal condition. A value of 0 indicates out of lock, or the absence of an input reference. If the user programs Bit 0 of Register 6 (PLL1) and/or Register 8 (PLL2) to 1, the SDO/LOL pin changes function to the logical AND of the PLL1 and PLL2 loss of lock (LOL) function.

## RESETS

If the PLLx MASH (Bits[31:29] in Register 7 for PLL1 or Register 9 for PLL2) is changed, issue a reset by toggling the reset feedback divider bit in Register 7 or Register 9, Bit 14.

**EXAMPLE VALUES FOR 49.152 MHZ CRYSTAL**

Table 29 shows the output frequency settings when using a 49.152 MHz crystal, TXC Part Number 8Z49100001, 2.5 mm × 2.0 mm, 49.152 MHz, ±30 ppm,  $C_L = 9$  pF, maximum ESR = 50  $\Omega$ .

**Table 29. Register Settings for Various Output Frequencies with a 49.152 MHz Crystal**

| Output Frequency (MHz) | PLLx Feedback Divider | OUTPUTx Divider[7:0] | Frequency Select[4:0] | PLLx $K_{VCO}$ Band | PLLx MASH[2:0] | S[1:0] | CUR[4:0] | VCO Frequency (MHz) |
|------------------------|-----------------------|----------------------|-----------------------|---------------------|----------------|--------|----------|---------------------|
| 125.000000             | 71.207682292          | 28                   | 6                     | 0                   | 2              | 0      | 17       | 3500                |
| 155.520000             | 69.609375             | 22                   | 9                     | 0                   | 2              | 0      | 16       | 3421.44             |
| 156.250000             | 66.757202148          | 21                   | 16                    | 1                   | 2              | 0      | 16       | 3281.25             |
| 159.375000             | 68.092346191          | 21                   | 13                    | 0                   | 2              | 0      | 16       | 3346.875            |
| 161.132813             | 72.121620402          | 22                   | 4                     | 0                   | 2              | 0      | 16       | 3544.92189          |
| 164.355469             | 70.220232117          | 21                   | 8                     | 0                   | 2              | 0      | 19       | 3451.46485          |
| 166.628571             | 74.581473023          | 22                   | 0                     | 0                   | 2              | 0      | 19       | 3665.82856          |
| 167.331646             | 68.087421061          | 20                   | 13                    | 0                   | 2              | 0      | 19       | 3346.63292          |
| 168.040678             | 71.79472327           | 21                   | 5                     | 0                   | 2              | 0      | 15       | 3528.85424          |
| 172.642299             | 73.760747864          | 21                   | 1                     | 0                   | 2              | 0      | 19       | 3625.48828          |
| 173.370748             | 74.071974854          | 21                   | 1                     | 0                   | 2              | 0      | 22       | 3640.78571          |
| 174.105369             | 74.385838806          | 21                   | 0                     | 0                   | 2              | 0      | 19       | 3656.21275          |
| 174.153733             | 70.863335368          | 20                   | 7                     | 0                   | 2              | 0      | 19       | 3483.07466          |
| 174.703084             | 71.086866862          | 20                   | 6                     | 0                   | 2              | 0      | 16       | 3494.06168          |
| 176.095145             | 71.653297933          | 20                   | 5                     | 0                   | 2              | 0      | 15       | 3521.9029           |
| 176.838163             | 64.760069458          | 18                   | 21                    | 1                   | 2              | 0      | 15       | 3183.08693          |
| 212.500000             | 69.173177083          | 16                   | 10                    | 0                   | 2              | 0      | 14       | 3400                |
| 425.000000             | 69.173177083          | 8                    | 10                    | 0                   | 2              | 0      | 14       | 3400                |
| 622.080000             | 63.281250000          | 5                    | 25                    | 1                   | 2              | 0      | 16       | 3110.4              |
| 625.000000             | 63.57828776           | 5                    | 24                    | 1                   | 2              | 0      | 14       | 3125                |
| 637.500000             | 64.849853516          | 5                    | 21                    | 1                   | 2              | 0      | 13       | 3187.5              |
| 644.531250             | 65.565109253          | 5                    | 19                    | 1                   | 2              | 0      | 12       | 3222.65625          |
| 657.421875             | 66.876411438          | 5                    | 16                    | 1                   | 2              | 0      | 7        | 3287.10938          |
| 666.514286             | 67.801339315          | 5                    | 14                    | 1                   | 3              | 0      | 15       | 3332.57143          |
| 669.326582             | 68.087420858          | 5                    | 13                    | 0                   | 2              | 0      | 19       | 3346.63291          |
| 672.162712             | 68.375926921          | 5                    | 12                    | 0                   | 2              | 0      | 9        | 3360.81356          |
| 690.569196             | 70.248331299          | 5                    | 8                     | 0                   | 3              | 0      | 15       | 3452.84598          |
| 693.482991             | 70.544737854          | 5                    | 7                     | 0                   | 2              | 0      | 12       | 3467.41495          |
| 696.421478             | 63.759290588          | 4.5                  | 24                    | 1                   | 2              | 0      | 16       | 3133.89665          |
| 696.614931             | 70.863335266          | 5                    | 7                     | 0                   | 2              | 0      | 19       | 3483.07465          |
| 698.812335             | 71.086866760          | 5                    | 6                     | 0                   | 2              | 0      | 18       | 3494.06167          |
| 704.380580             | 71.653297933          | 5                    | 5                     | 0                   | 2              | 0      | 15       | 3521.9029           |
| 707.352650             | 64.760069275          | 4.5                  | 21                    | 1                   | 2              | 0      | 15       | 3183.08693          |

# SPI PROGRAMMING

## OVERVIEW

The AD9578 SPI bus transfers data in byte multiples. All transfers are most significant byte and most significant bit first.

At power-up, the AD9578 loads the values programmed in OTP memory. Thereafter, the SPI can be used to overwrite any value. Write 0 to unused or reserved bits, and do not overwrite factory programmed calibrations in Register 11 through Register 14.

Note that throughout this data sheet, the multifunction SDO/LOL pin is referred to either by the entire pin name or by a single function of the pin, for example, SDO, when only that function is relevant.

## SPI DESCRIPTION

The SPI is in reset on power-up. All fuse values are loaded into the SPI and those become the default configuration for the device. The SPI is inaccessible for the duration of the fuse reset cycle.

Setting the  $\overline{CS}$  pin high disables the SPI controller and resets it to its idle state. SDO is high impedance when  $\overline{CS}$  is high. Setting  $\overline{CS}$  to 0 enables the SPI controller (awaiting the control/address byte). In this mode, the controller responds to events on SCK.

SCK is the clock input to the SPI. SDI is the data input to the SPI. Data must be valid on the rising edge of SCK. SDO is the data output from the SPI.

On the falling edge of  $\overline{CS}$ , the SPI controller expects to see a series of eight SCK clock pulses and eight bits of data on SDI, valid through the rising edge of the clock. As shown in Figure 32, the first four bits are the operation code (opcode), and the last four bits are the register to be addressed. Table 30 contains the AD9578 opcodes that are used by the interface.

The default state on startup and when  $\overline{CS}$  = high is Opcode 0 (OP[3:0] = 0000), or no operation. Opcode 2, the read opcode (OP[3:0] = 0010), is followed by one or more series of eight SCK pulses. Data from the register addressed by ADDR[3:0] appear on SDO most significant bit (MSB) first. The number of eight-pulse cycles is determined by the type of register defined at ADDR[3:0]. Opcode 1, the write opcode (OP[3:0] = 0001), is followed by one or more series of eight SCK pulses, with data to be written to the addressed register placed on SDI and valid at the rising edge of SCK. The new values take effect immediately after a write operation on the falling edge of the last SCK pulse.

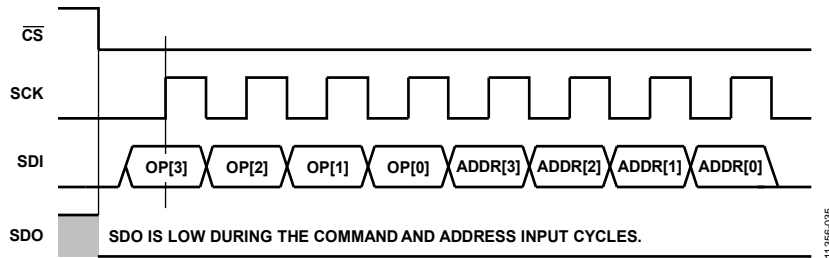


Figure 32. Control and Address Byte Format

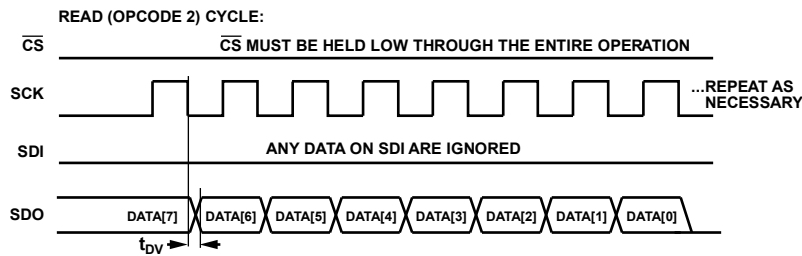


Figure 33. Opcode 2, Read Cycle

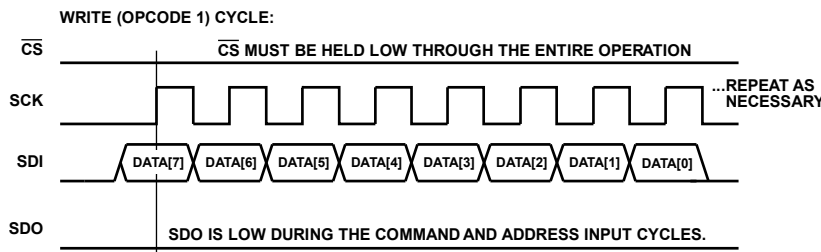


Figure 34. Opcode 1, Write Cycle

Table 30. Opcode x Settings

| Name     | OP[3:0] | ADDR[3:0]              | Operation/Command                          |
|----------|---------|------------------------|--|
| Opcode 0 | 0000    | Ignored                | No operation                               |
| Opcode 1 | 0001    | Register to be written | Write data                                 |
| Opcode 2 | 0010    | Register to be read    | Read data                                  |
| Opcode 3 | 0011    | Ignored                | Do not use                                 |
| Opcode 4 | 0100    | 0000                   | Fuse reset (reloads OTP programmed values) |
| Opcode 5 | 0100    | 0001                   | OTP program                                |
| Opcode 6 | 0100    | 1110                   | OTP program enable                         |
| Opcode 7 | 0100    | 1111                   | OTP program disable                        |
| Opcode 8 | 0101    | Register to be queried | Query register length                      |

## OTP PROGRAMMING

The AD9578 has OTP registers so that a desired configuration can be programmed as the power-on default. All OTP programmable registers (except for those set at the factory) are initially set to the default values in the register map. The desired start-up configuration is programmed into the OTP bits by sending the OTP program command after the registers are set to their desired values. Note that the AD9578 must be powered at  $V_{DD} = 3.3\text{ V}$  to perform OTP programming because the  $\overline{\text{CS}}$  pin must never be more than 2.5 V above  $V_{DD}$ .

The  $\overline{\text{CS}}$  pin has two functions: serial port chip select and OTP programming enable. To access the SPI normally, use the  $\overline{\text{CS}}$  pin at normal digital LVCMOS levels (between 0 V and  $V_{DD}$ .) To program the OTP, follow the OTP program procedure:

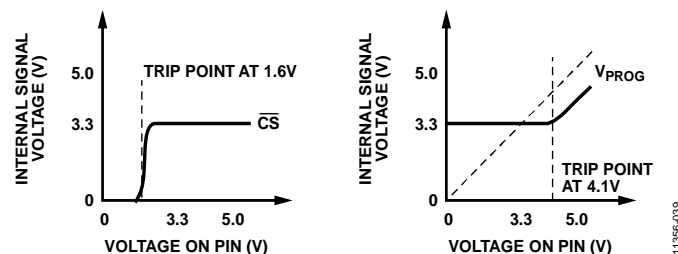
1. Enable OTP programming by setting the  $\overline{\text{CS}}$  pin to 5.5 V.
2. Configure the SPI registers to the desired configuration.
3. Send the OTP program enable command, Opcode 6.
4. Send the OTP program command, Opcode 5.
5. Send the OTP program disable command, Opcode 7.
6. Set the  $\overline{\text{CS}}$  pin back to 0 V.
7. Send the fuse reset command, Opcode 4, to load the new register values. This final step is a verification of the OTP programming procedure.

The precise timing of the OTP programming sequence is ensured by on-board circuitry, and is 800  $\mu\text{s}$  minimum per register. While either the OTP program or the fuse reset commands are executing, the SDO/LOL pin goes high, and it returns to zero at the end of the fuse reset or OTP program cycle. The host controlling the AD9578 must monitor the state of the SDO/LOL pin to determine when it may continue SPI communication. SPI communication from the host is ignored during OTP programming.

Registers labeled read only have no associated fuses. The Register Map Bit Descriptions section has details about which registers are read only.

Security[15:0] are per register security bits. Setting the security bit for a register disables writing to that register so that values in the register can no longer be changed with SPI write commands. By disabling writing, OTP programming is also disabled. All OTP programming, including the security bits, can be performed at the same time. The new configuration settings for read/program bits, such as the security bits, is not applied until a fuse reset cycle or power cycle to the chip. That is, writing a 1 to Security[15:0] does not change the security setting, but writing a 1 to Security[15:0] followed by the OTP program and fuse reset commands does. Note that OTP programming the Security0 bit prevents further writing to Security[15:0] and, therefore, prevents any other security bits from being set in the future. Other than the security bit settings, there is no limitation to the number of times that the OTP program command can be executed. This allows an incremental approach in which certain registers are factory calibrated, preprogrammed, and optionally secured to prevent further modification.

Changing the OTP default for a single register is difficult because the OTP programming sequence is not random access. To blow the fuse of a single bit, it is necessary to first send a fuse reset command to ensure that all registers contain default values. Then, change a single register bit and send the OTP program command, Opcode 5 (see Table 30).

Figure 35.  $\overline{\text{CS}}$  Pin Function

**SPI Configuration**

The AD9578 can be programmed after power-up through the SPI. This section describes how to set a specific configuration in the SPI registers.

1. Prepare default values. The AD9578 evaluation software is an ideal way to determine the optimal default values of the AD9578 registers. Note that Register 0 and Register 1 are read only and cannot be changed.
2. Enable all subsystems. This normally includes the per PLL values found in Register 0x06 (for PLL1) and Register 0x08 (for PLL2). They are the feedback divider PU (Bit 1), VCO PU (Bit 2), and ENPFD (Bit 3), as well as the enable activity detect bit, which is a global bit (Register 0x03, Bit 28).
3. The enable XTAL1 (in Register 3) and enable XTAL2 (in Register 10) bits are normally set to 0 because the crystals are enabled as necessary. Setting these to 1 forces the corresponding input on permanently.
4. The following bits are internal resets, and cannot be OTP programmed. These bits are in three groups (global, PLL1, and PLL2) and must be 0 for normal device operation. The internal reset global bits are in Register 15. The PLL1 bits are in Register 7, Bits[11:15]. The PLL2 bits are in Register 9, Bits[11:15].
5. For each output to be used (OUTPUT1 through OUTPUT4 and REFOUT), select the mode according to Table 16, as well as the corresponding enable bits in Register 2 and Register 3.

## REGISTER MAP

The shaded cells in Table 31 indicate bit(s) that can be OTP programmed. See the OTP Programming section for more information.

Table 31.

| Addr       | Name   | Bits    | D7   | D6                           | D5                | D4                        | D3                      | D2                                | D1   | D0                                 | Default |      |
|------------|--|---------|--|------------------------------|-------------------|---------------------------|-------------------------|-----------------------------------|--|------------------------------------|---------|------|
| Register 0 |  |         |  |                              |                   |                           |                         |                                   |  |                                    |         |      |
| 0x00       | Chip and manufacturer ID                                   | [31:24] | Chip ID[3:0]   |                              |                   |                           | Unused                  |                                   | Manufacturer ID[10:8]  |                                    |         | 0x03 |
|            |  | [23:16] | Manufacturer ID[7:0]   |                              |                   |                           |                         |                                   |  |                                    | 0x10    |      |
|            |  | [15:8]  | Security[15:8]   |                              |                   |                           |                         |                                   |  |                                    | 0x00    |      |
|            |  | [7:0]   | Security[7:0]  |                              |                   |                           |                         |                                   |  |                                    | 0x00    |      |
| Register 1 |  |         |  |                              |                   |                           |                         |                                   |  |                                    |         |      |
| 0x01       | Product ID, chip ID and user programming space             | [47:40] | Product ID[7:0]  |                              |                   |                           |                         |                                   |  |                                    |         | 0x7A |
|            |  | [39:32] | Chip ID[7:4]   |                              |                   |                           | Product Revision[3:0]   |                                   |  |                                    | 0x08    |      |
|            |  | [31:24] | User ID[31:24]   |                              |                   |                           |                         |                                   |  |                                    | 0x00    |      |
|            |  | [23:16] | User ID[23:16]   |                              |                   |                           |                         |                                   |  |                                    | 0x00    |      |
|            |  | [15:8]  | User ID[15:8]  |                              |                   |                           |                         |                                   |  |                                    | 0x00    |      |
|            |  | [7:0]   | User ID[7:0]   |                              |                   |                           |                         |                                   |  |                                    | 0x00    |      |
| Register 2 |  |         |  |                              |                   |                           |                         |                                   |  |                                    |         |      |
| 0x02       | External pin readback and override                         | [23:16] | Unused   |                              |                   |                           | MR (master reset)       | MR enable (set to 1 to enable MR) | REFOUT   | REFOUT enable (override OEREF pin) | 0x00    |      |
|            |  | [15:8]  | OUTPUT4  | Override OE4 pin             | OUTPUT3           | Override OE3 pin          | OUTPUT2                 | Override OE2 pin                  | OUTPUT1  | Override OE1 pin                   | 0x00    |      |
|            |  | [7:0]   | REFSEL2  | REFSEL2 enable (set to 1)    | REFSEL1           | REFSEL1 enable (set to 1) | PLL2                    | PLL2 enable (set to 1)            | PLL1   | PLL1 enable (override PD1 pin)     | 0x00    |      |
| Register 3 |  |         |  |                              |                   |                           |                         |                                   |  |                                    |         |      |
| 0x03       | Reference buffer and divider, interpolated value increment | [31:24] | REFOUT Mode[1:0]   |                              | Unused            | Enable activity detect    | Reference mux select    | Enable XTAL1                      | Unused   |                                    |         | 0x10 |
|            |  | [23:16] | Unused   |                              |                   |                           | Enable OUTPUT4 divider  | Enable OUTPUT3 divider            | Enable OUTPUT2 divider   | Enable OUTPUT1 divider             | 0x0F    |      |
|            |  | [15:8]  | Unused   |                              |                   |                           | Enable OUTPUT4 4.5 mode | Enable OUTPUT3 4.5 mode           | Enable OUTPUT2 4.5 mode  | Enable OUTPUT1 4.5 mode            | 0x00    |      |
|            |  | [7:0]   | Exponent[3:0]  |                              |                   |                           | Mantissa[3:0]           |                                   |  |                                    | 0x00    |      |
| Register 4 |  |         |  |                              |                   |                           |                         |                                   |  |                                    |         |      |
| 0x04       | XTAL1 and output buffer configuration                      | [15:8]  | XTAL1 frequency trim   | XTAL1 Capacitance Value[2:0] |                   |                           | Unused                  | XTAL1 Gain[2:0]                   |  |                                    | 0x00    |      |
|            |  | [7:0]   | OUTPUT4 Mode[1:0]  |                              | OUTPUT3 Mode[1:0] |                           | OUTPUT2 Mode[1:0]       |                                   | OUTPUT1 Mode[1:0]  |                                    | 0x00    |      |
| Register 5 |  |         |  |                              |                   |                           |                         |                                   |  |                                    |         |      |
| 0x05       | Output driver configuration                                | [31:24] | OUTPUT4 Divider[7:0]   |                              |                   |                           |                         |                                   |  |                                    | 0x00    |      |
|            |  | [23:16] | OUTPUT3 Divider[7:0]   |                              |                   |                           |                         |                                   |  |                                    | 0x00    |      |
|            |  | [15:8]  | OUTPUT2 Divider[7:0]   |                              |                   |                           |                         |                                   |  |                                    | 0x00    |      |
|            |  | [7:0]   | OUTPUT1 Divider[7:0]   |                              |                   |                           |                         |                                   |  |                                    | 0x00    |      |
| Register 6 |  |         |  |                              |                   |                           |                         |                                   |  |                                    |         |      |
| 0x06       | PLL1 configuration   | [39:32] | PLL1 Integer Feedback Divider[7:0]                             |                              |                   |                           |                         |                                   |  |                                    | 0x00    |      |
|            |  | [31:24] | PLL1 Fractional Feedback Divider[27:20]                        |                              |                   |                           |                         |                                   |  |                                    | 0x00    |      |
|            |  | [23:16] | PLL1 Fractional Feedback Divider[19:12]                        |                              |                   |                           |                         |                                   |  |                                    | 0x00    |      |
|            |  | [15:8]  | PLL1 Fractional Feedback Divider[11:6]                         |                              |                   |                           |                         |                                   | PLL1 Fractional Feedback Divider[5:4]; PLL1 Modulus Value[5:4] |                                    |         | 0x00 |
|            |  | [7:0]   | PLL1 Fractional Feedback Divider[3:0]; PLL1 Modulus Value[3:0] |                              |                   |                           | ENPFD                   | VCO PU                            | Feedback divider PU  | PLL1 lock IRQ                      | 0x0E    |      |



| Addr        | Name                        | Bits    | D7   | D6                           | D5               | D4                         | D3                | D2   | D1   | D0                                 | Default |        |      |
|-------------|-----------------------------|---------|--|------------------------------|------------------|----------------------------|-------------------|--|--|------------------------------------|---------|--------|------|
| Register 7  |                             |         |  |                              |                  |                            |                   |  |  |                                    |         |        |      |
| 0x07        | PLL1 configuration          | [39:32] | PLL1 Dither[2:0]   |                              |                  | Dither Scale[4:0]          |                   |  |  |                                    |         | 0x00   |      |
|             |                             | [31:24] | PLL1 MASH[2:0]   |                              |                  | PLL1 Frequency Select[4:0] |                   |  |  |                                    |         | 0x00   |      |
|             |                             | [23:16] | Power-on override  | S[1:0]                       |                  |                            | CUR[4:0]          |  |  |                                    |         |        | 0x00 |
|             |                             | [15:8]  | PLL1 phase advance   | Reset feedback divider       | OUTPUT1_2 reset  | Force reset                | PLL1 phase retard | Rational mode                                | PLL1 Modulus Value[15:14]                                      |                                    |         | 0x00   |      |
|             |                             | [7:0]   | PLL1 Modulus Value[13:6]                                       |                              |                  |                            |                   |  |  |                                    |         | 0x00   |      |
| Register 8  |                             |         |  |                              |                  |                            |                   |  |  |                                    |         |        |      |
| 0x08        | PLL2 configuration          | [39:32] | PLL2 Integer Feedback Divider[7:0]                             |                              |                  |                            |                   |  |  |                                    |         | 0x00   |      |
|             |                             | [31:24] | PLL2 Fractional Feedback Divider[27:20]                        |                              |                  |                            |                   |  |  |                                    |         | 0x00   |      |
|             |                             | [23:16] | PLL2 Fractional Feedback Divider[19:12]                        |                              |                  |                            |                   |  |  |                                    |         | 0x00   |      |
|             |                             | [15:8]  | PLL2 Fractional Feedback Divider[11:6]                         |                              |                  |                            |                   |  | PLL2 Fractional Feedback Divider[5:4], PLL2 Modulus Value[5:4] |                                    |         | 0x00   |      |
|             |                             | [7:0]   | PLL2 Fractional Feedback Divider[3:0], PLL2 Modulus Value[3:0] |                              |                  |                            | ENPFD             | VCO PU                                       | Feedback divider PU  | PLL2 lock IRQ (SDO changes to IRQ) |         | 0x0E   |      |
| Register 9  |                             |         |  |                              |                  |                            |                   |  |  |                                    |         |        |      |
| 0x09        | PLL2 configuration          | [39:32] | PLL2 Dither[2:0]   |                              |                  | Dither Scale[4:0]          |                   |  |  |                                    |         | 0x00   |      |
|             |                             | [31:24] | PLL2 MASH[2:0]   |                              |                  | PLL2 Frequency Select[4:0] |                   |  |  |                                    |         | 0x00   |      |
|             |                             | [23:16] | Power-on override  | S[1:0]                       |                  |                            | CUR[4:0]          |  |  |                                    |         |        | 0x00 |
|             |                             | [15:8]  | PLL2 phase advance   | Reset feedback divider       | OUTPUT3_4 reset  | Force reset                | PLL2 phase retard | Rational mode                                | PLL2 Modulus Value[15:14]                                      |                                    |         | 0x00   |      |
|             |                             | [7:0]   | PLL2 Modulus Value[13:6]                                       |                              |                  |                            |                   |  |  |                                    |         | 0x00   |      |
| Register 10 |                             |         |  |                              |                  |                            |                   |  |  |                                    |         |        |      |
| 0x0A        | XTAL2 configuration         | [15:8]  | XTAL2 frequency trim   | XTAL2 Capacitance Value[2:0] |                  |                            | XTAL2 Gain[2:0]   |  |  | Enable XTAL2                       | 0x00    |        |      |
|             |                             | [7:0]   | Reserved   |                              |                  |                            |                   |  |  |                                    |         | 0x00   |      |
| Register 11 |                             |         |  |                              |                  |                            |                   |  |  |                                    |         |        |      |
| 0x0B        | Reserved                    | [31:24] | Reserved (factory configured; do not change)                   |                              |                  |                            |                   |  |  |                                    |         | Varies |      |
|             |                             | [23:16] | Reserved (factory configured; do not change)                   |                              |                  |                            |                   |  |  |                                    |         | Varies |      |
|             |                             | [15:8]  | Reserved (factory configured; do not change)                   |                              |                  |                            |                   |  |  |                                    |         | Varies |      |
|             |                             | [7:0]   | Reserved (factory configured; do not change)                   |                              |                  |                            |                   |  |  |                                    |         | Varies |      |
| Register 12 |                             |         |  |                              |                  |                            |                   |  |  |                                    |         |        |      |
| 0x0C        | PLL1 K <sub>VCO</sub> band  | [31:24] | PLL1 K <sub>VCO</sub> band                                     | Reserved                     |                  |                            |                   | Reserved (factory configured; do not change) |  |                                    |         | Varies |      |
|             |                             | [23:16] | Reserved (factory configured; do not change)                   |                              |                  |                            |                   |  |  |                                    |         | Varies |      |
|             |                             | [15:8]  | Reserved (factory configured; do not change)                   |                              |                  |                            |                   |  |  |                                    |         | Varies |      |
|             |                             | [7:0]   | Reserved (factory configured; do not change)                   |                              |                  |                            |                   |  |  |                                    |         | Varies |      |
| Register 13 |                             |         |  |                              |                  |                            |                   |  |  |                                    |         |        |      |
| 0x0D        | Reserved                    | [31:24] | Reserved (factory configured; do not change)                   |                              |                  |                            |                   |  |  |                                    |         | Varies |      |
|             |                             | [23:16] | Reserved (factory configured; do not change)                   |                              |                  |                            |                   |  |  |                                    |         | Varies |      |
|             |                             | [15:8]  | Reserved (factory configured; do not change)                   |                              |                  |                            |                   |  |  |                                    |         | Varies |      |
|             |                             | [7:0]   | Reserved (factory configured; do not change)                   |                              |                  |                            |                   |  |  |                                    |         | Varies |      |
| Register 14 |                             |         |  |                              |                  |                            |                   |  |  |                                    |         |        |      |
| 0x0E        | PLL2 K <sub>VCO</sub> band  | [31:24] | PLL2 K <sub>VCO</sub> band                                     | Reserved                     |                  |                            |                   | Reserved (factory configured; do not change) |  |                                    |         | Varies |      |
|             |                             | [23:16] | Reserved (factory configured; do not change)                   |                              |                  |                            |                   |  |  |                                    |         | Varies |      |
|             |                             | [15:8]  | Reserved (factory configured; do not change)                   |                              |                  |                            |                   |  |  |                                    |         |        |      |
|             |                             | [7:0]   | Reserved (factory configured; do not change)                   |                              |                  |                            |                   |  |  |                                    |         |        |      |
| Register 15 |                             |         |  |                              |                  |                            |                   |  |  |                                    |         |        |      |
| 0x0F        | PLL lock detect (read only) | [23:16] | PLL2 lock detect   | Reserved                     | PLL1 lock detect | Reserved                   |                   | Revision Subcode[1:0]                        |  | Reserved                           | Varies  |        |      |
|             |                             | [15:8]  | Unused   |                              |                  |                            |                   |  |  |                                    |         | 0x00   |      |
|             |                             | [7:0]   | Unused   |                              |                  |                            |                   |  |  |                                    |         | 0x00   |      |

## REGISTER MAP BIT DESCRIPTIONS

### CHIP AND MANUFACTURER ID (REGISTER 0, ADDRESS 0x00)

Table 32. Chip and Manufacturer ID

| Bits  | Bit Name              | Description   |
|-------|-----------------------|---|
| 31:28 | Chip ID[3:0]          | This register has no effect on device operation. The customer can use it for tracking different versions of device programming or identifying a chip on a printed circuit board. Including the four bits in Register 0x01, there are a total of eight bits for this function, and these values can be OTP programmed.   |
| 27    | Unused                | Default = 0b.   |
| 26:16 | Manufacturer ID[10:0] | Manufacturer ID. These bits identify this chip as an Analog Devices IC and have no effect on device operation.  |
| 15:0  | Security[15:0]        | During the process of OTP programming, these bits control whether a given register becomes read only during future operation. There is one bit for each register. If the security bit for a given register is 1 during an OTP programming sequence, the corresponding register becomes read only, and the user can make no additional modifications to that register through the serial port. |

### PRODUCT ID, CHIP ID, AND USER PROGRAMING SPACE (REGISTER 1, ADDRESS 0x01)

Table 33. Product ID, Chip ID, and User Programming Space

| Bits  | Bit Name              | Description   |
|-------|-----------------------|---|
| 47:40 | Product ID[7:0]       | Product ID.   |
| 39:36 | Chip ID[7:4]          | This register has no effect on device operation. The customer can use it for tracking different versions of device programming or identifying a chip on a printed circuit board. Including the four bits in Register 0x00, there are a total of eight bits for this function, and these values can be OTP programmed. |
| 35:32 | Product Revision[3:0] | This read only register contains the <a href="#">AD9578</a> silicon revision information.   |
| 31:0  | User ID[31:0]         | Additional OTP programmable bits to program up to 32 bits of user assigned information.   |

### EXTERNAL PIN READBACK AND OVERRIDE (REGISTER 2, ADDRESS 0x02)

Table 34. External Pin Readback and Override

| Bits  | Bit Name                           | Description   |
|-------|------------------------------------|---|
| 23:20 | Unused                             | Default = 0x0.  |
| 19    | MR (master reset)                  | This bit resets the chip. This bit is not self clearing.<br>1: the <a href="#">AD9578</a> is held in reset. MR enable (Bit 18 in this register) must be 1 for this bit to take effect.<br>0 (default): normal operation.  |
| 18    | MR enable                          | This bit enables the MR (master reset) bit (Bit 19 in this register).<br>1: master reset is enabled.<br>0 (default): master reset (Bit 19 of this register) is disabled.  |
| 17    | REFOUT                             | This bit enables/disables the REFOUT driver.<br>If REFOUT enable (Bit 16 in this register) = 1, this bit enables the REFOUT driver, as follows:<br>1: the REFOUT driver is enabled.<br>0 (default): the REFOUT driver is disabled.<br>If REFOUT enable (Bit 16 in this register) = 0, this is a read only register, as follows:<br>1: the OEREF pin is high and the REFOUT driver is enabled.<br>0 (default): the OEREF pin is low and the REFOUT driver is disabled. |
| 16    | REFOUT enable (override OEREF pin) | This bit enables REFOUT (Bit 17 in this register).<br>1: the REFOUT bit controls the on/off state of the REFOUT driver.<br>0 (default): the OEREF pin controls the on/off state of the REFOUT driver.   |

| Bits | Bit Name         | Description   |
|------|------------------|---|
| 15   | OUTPUT4          | This bit enables/disables the OUTPUT4 driver. Note that the user must enable PLL2 for the OUTPUT4 driver to be enabled.<br>If override OE4 pin (Bit 14 in this register) = 1, this bit enables the OUTPUT4 driver, as follows:<br>1: the OUTPUT4 driver is enabled.<br>0 (default): the OUTPUT4 driver is disabled.<br>If override OE4 pin (Bit 14 in this register) = 0, this is a read only register, as follows:<br>1: the OE4 pin is high and the OUTPUT4 driver is enabled.<br>0 (default): the OE4 pin is low and the OUTPUT4 driver is disabled. |
| 14   | Override OE4 pin | This bit enables the OUTPUT4 bit (Bit 15 in this register).<br>1: the OUTPUT4 bit controls the on/off state of the OUTPUT4 driver.<br>0 (default): the OE4 pin controls the on/off state of the OUTPUT4 driver.   |
| 13   | OUTPUT3          | This bit enables/disables the OUTPUT3 driver. Note that the user must enable PLL2 for the OUTPUT3 driver to be enabled.<br>If override OE3 pin (Bit 12 in this register) = 1, this bit enables the OUTPUT3 driver, as follows:<br>1: the OUTPUT3 driver is enabled.<br>0 (default): the OUTPUT3 driver is disabled.<br>If override OE3 pin (Bit 12 in this register) = 0, this is a read only register, as follows:<br>1: the OE3 pin is high and the OUTPUT3 driver is enabled.<br>0 (default): the OE3 pin is low and the OUTPUT3 driver is disabled. |
| 12   | Override OE3 pin | This bit enables the OUTPUT3 bit (Bit 13 in this register).<br>1: the OUTPUT3 bit controls the on/off state of the OUTPUT3 driver.<br>0 (default): the OE3 pin controls the on/off state of the OUTPUT3 driver.   |
| 11   | OUTPUT2          | This bit enables/disables the OUTPUT2 driver. Note that the user must enable PLL2 for the OUTPUT2 driver to be enabled.<br>If override OE2 pin (Bit 10 in this register) = 1, this bit enables the OUTPUT2 driver, as follows:<br>1: the OUTPUT2 driver is enabled.<br>0 (default): the OUTPUT2 driver is disabled.<br>If override OE2 pin (Bit 10 in this register) = 0, this is a read only register, as follows:<br>1: the OE2 pin is high and the OUTPUT2 driver is enabled.<br>0 (default): the OE2 pin is low and the OUTPUT2 driver is disabled. |
| 10   | Override OE2 pin | This bit enables the OUTPUT2 bit (Bit 11 in this register).<br>1: the OUTPUT2 bit controls the on/off state of the OUTPUT2 driver.<br>0 (default): the OE2 pin controls the on/off state of the OUTPUT2 driver.   |
| 9    | OUTPUT1          | This bit enables/disables the OUTPUT1 driver. Note that the user must enable PLL2 for the OUTPUT1 driver to be enabled.<br>If override OE1 pin (Bit 8 in this register) = 1, this bit enables the OUTPUT1 driver, as follows:<br>1: the OUTPUT1 driver is enabled.<br>0 (default): the OUTPUT1 driver is disabled.<br>If override OE1 pin (Bit 8 in this register) = 0, this is a read only register, as follows:<br>1: the OE1 pin is high and OUTPUT1 is enabled.<br>0 (default): the OE1 pin is low and the OUTPUT1 driver is disabled.              |
| 8    | Override OE1 pin | This bit enables the OUTPUT1 bit (Bit 9 in this register).<br>1: the OUTPUT1 bit controls the on/off state of the OUTPUT1 driver.<br>0 (default): the OE1 pin controls the on/off state of the OUTPUT1 driver.  |
| 7    | REFSEL2          | This bit controls which input is used by PLL2, provided that REFSEL2 enable (Bit 6 of this register) is 1.<br>1: PLL2 uses Reference 2 (which corresponds to the XO3/XO4 pins).<br>0: (default) PLL2 uses Reference 1 (which corresponds to the XO1/XO2 pins).  |
| 6    | REFSEL2 enable   | This bit enables the REFSEL2 bit, and must be set to 1 for Bit 7 to function.<br>1: the REFSEL1 bit is enabled.<br>0 (default): the REFSEL1 bit is disabled. PLL2 uses Reference 1.   |
| 5    | REFSEL1          | This bit controls which input is used by PLL1, provided that REFSEL1 enable (Bit 4 of this register) is 1.<br>1: PLL1 uses Reference 2 (which corresponds to the XO3/XO4 pins).<br>0 (default): PLL1 uses Reference 1 (which corresponds to the XO1/XO2 pins).  |

| Bits | Bit Name  | Description   |
|------|---|---|
| 4    | REFSEL1 enable  | This bit enables the REFSEL1 bit, and must be set to 1 for Bit 5 to function.<br>1: the REFSEL1 bit is enabled.<br>0 (default): the REFSEL1 bit is disabled. PLL1 uses Reference 1.   |
| 3    | PLL2  | This bit enables/disables PLL2 when PLL2 enable (Bit 2 of this register) is 1.<br>1: PLL2 is enabled.<br>0 (default): PLL2 is disabled.   |
| 2    | PLL2 enable   | This bit enables the PLL2 bit, and must be set to 1 for Bit 3 to function.<br>1: the PLL2 bit is enabled.<br>0 (default): the PLL2 bit is disabled. PLL2 is powered down.   |
| 1    | PLL1  | This bit enables/disables PLL1.<br>If PLL1 enable (Bit 0 in this register) = 1, this bit enables PLL1, as follows:<br>1: PLL1 is enabled.<br>0 (default): PLL1 is disabled.<br>If PLL1 enable (Bit 0 in this register) = 0, this is a read only register, as follows:<br>1: the $\overline{\text{PD1}}$ pin is high and PLL1 is enabled.<br>0 (default): the $\overline{\text{PD1}}$ pin is low and PLL1 is disabled. |
| 0    | PLL1 enable<br>(override $\overline{\text{PD1}}$ pin) | This bit enables the PLL1 bit (Bit 1 in this register).<br>1: the PLL1 bit controls the on/off state of PLL1.<br>0 (default): the $\overline{\text{PD1}}$ pin controls the on/off state of PLL1. In this case, the PLL1 bit is read only and its value is the same as the state of the $\overline{\text{PD1}}$ pin.   |

### REFOUT/OUTPUT DIVIDER ENABLE (REGISTER 3, ADDRESS 0x03)

Table 35. Reference Buffer and Divider, Interpolated Value Increment

| Bits  | Bit Name                     | Description   |
|-------|------------------------------|---|
| 31:30 | REFOUT<br>Mode[1:0]          | These bits set the mode of the REFOUT driver.<br>00 (default): 3.3 V LVCMOS (normal output only; complementary output is high-Z).<br>01: LVDS.<br>10: 3.3 V LVPECL.<br>11: HCSSL.   |
| 29    | Unused                       | Set to 0.   |
| 28    | Enable activity<br>detect    | This bit enables the activity detectors. Always set this bit to 1 for normal operation. The activity detectors determine when an active clock signal is passing through a circuit inside of the chip.<br>1 (default): spot activity detector enabled.<br>0: spot activity detector disabled. (Do not use.)  |
| 27    | Reference mux<br>select      | This bit controls which input is buffered to the REFOUT driver.<br>1: REFOUT uses Reference 2 (which corresponds to the XO3/XO4 pins).<br>0: (default) REFOUT uses Reference 1 (which corresponds to the XO1/XO2 pins).   |
| 26    | Enable XTAL1                 | Set to 0 for normal operation. This bit enables the crystal oscillator connected to the XO1 and XO2 pins when this bit is set to 1. Note that the crystal oscillator is automatically enabled when Reference Input 1 is selected. Setting this bit to 1 keeps the oscillator enabled at all times, avoiding the crystal start-up delay when switching between crystal and reference inputs. |
| 25:20 | Unused                       | Set to 0.   |
| 19    | Enable<br>OUTPUT4<br>divider | This bit enables the OUTPUT4 divider. Set this bit whenever the corresponding output buffer is enabled.   |
| 18    | Enable<br>OUTPUT3<br>divider | This bit enables the OUTPUT3 divider. Set this bit whenever the corresponding output buffer is enabled.   |
| 17    | Enable<br>OUTPUT2<br>divider | This bit enables the OUTPUT2 divider. Set this bit whenever the corresponding output buffer is enabled.   |

| Bits  | Bit Name                | Description   |
|-------|-------------------------|---|
| 16    | Enable OUTPUT1 divider  | This bit enables the OUTPUT1 divider. Set this bit whenever the corresponding output buffer is enabled.   |
| 15:12 | Unused                  | Set to 0.   |
| 11:8  | Enable OUTPUTx 4.5 mode | For the special case of frequencies between 750 MHz and 778 MHz, which cannot be accessed with divide by 4 or divide by 5, a divide by 4.5 is provided. To divide by 4.5, set the enable OUTPUTx 4.5 mode bit (where x is an integer from 1 to 4). When the OUTPUTx 4.5 mode bit is set, the associated output divider ignores the OUTPUTx Divider[7:0] value in Register 5 and divides by 4.5.   |
| 7:4   | Exponent[3:0]           | If a new value is presented to the fractional-N divider, the change is interpolated in steps equal in size to the value of mantissa << exponent, that is, the value of the Mantissa[3:0] bits shifted up by the exponent bits. If Mantissa[3:0] is 0, the new value takes effect immediately. Allowable values are 0d to 15d for Exponent[3:0], with 1d having the smallest step size and the most gradual change in the fractional feedback divider. |
| 3:0   | Mantissa[3:0]           | If a new value is presented to the fractional-N divider, the change is interpolated in steps equal in size to the value of mantissa << exponent, that is, the value of the mantissa bits shifted up by the exponent bits. If Mantissa[3:0] is 0, the new value takes effect immediately. Allowable values are 0d to 15d for Mantissa[3:0] with 1d having the smallest step size and the most gradual change in the fractional feedback divider.       |

### XTAL1 AND OUTPUT BUFFER CONFIGURATION (REGISTER 4, ADDRESS 0x04)

Table 36. XTAL1 and Output Buffer Configuration

| Bits  | Bit Name                     | Description  |  |  |
|-------|------------------------------|--|--|--|
| 15    | XTAL1 frequency trim         | This is an additional gain trim bit for the crystal oscillator. Setting XTAL frequency trim = 1 is recommended for optimal performance with crystal frequencies $\leq 33$ MHz. See Table 25.   |  |  |
| 14:12 | XTAL1 Capacitance Value[2:0] | These register bits control the amount of internal load capacitance on the XO1 and XO2 pins. The correct setting can be determined using the following equation: $2 \times (C_{LOAD} - C_{STRAY})$ where $C_{LOAD}$ is the specified load capacitance of the crystal used, and $C_{STRAY}$ is the stray capacitance (usually 2 pF to 5 pF) on the circuit board. |  |  |
|       |                              | <b>XTAL1 Capacitance Value[2:0]</b>  | <b><math>C_{LOAD}</math> of Crystal (pF)</b> | <b>Recommended Internal Capacitance on XO1/XO2 Pins (Assuming 3 pF Stray Capacitance) (pF)</b> |
|       |                              | 000  | 8  | 10   |
|       |                              | 001  | 9  | 12   |
|       |                              | 010  | 10   | 14   |
|       |                              | 011  | 11   | 16   |
|       |                              | 100  | 12   | 18   |
|       |                              | 101  | 13   | 20   |
|       |                              | 110  | 14   | 22   |
| 111   | 15                           | 24   |  |  |
| 11    | Unused                       |  |  |  |
| 10:8  | XTAL1 Gain[2:0]              | These are gain trim bits for the crystal oscillator. Optimal performance is achieved when the gain is programmed according to the ESR of the crystal. See Table 25.  |  |  |
| 7:6   | OUTPUT4 Mode[1:0]            | These bits set the mode of OUTPUT4.<br>00 (default): 3.3 V LVCMOS (normal output only; complementary output is high-Z).<br>01: LVDS.<br>10: 3.3 V LVPECL.<br>11: HCSL.   |  |  |
| 5:4   | OUTPUT3 Mode[1:0]            | These bits set the mode of OUTPUT3.<br>00 (default): 3.3 V LVCMOS (normal output only; complementary output is high-Z).<br>01: LVDS.<br>10: 3.3 V LVPECL.<br>11: HCSL.   |  |  |
| 3:2   | OUTPUT2 Mode[1:0]            | These bits set the mode of OUTPUT2.<br>00 (default): 3.3 V LVCMOS (normal output only; complementary output is high-Z).<br>01: LVDS.<br>10: 3.3 V LVPECL.<br>11: HCSL.   |  |  |

| Bits | Bit Name          | Description  |
|------|-------------------|--|
| 1:0  | OUTPUT1 Mode[1:0] | These bits set the mode of OUTPUT1.<br>00 (default): 3.3 V LVCMOS (normal output only; complementary output is high-Z).<br>01: LVDS.<br>10: 3.3 V LVPECL.<br>11: HCSL. |

## OUTPUT DRIVER CONFIGURATION (REGISTER 5, ADDRESS 0x05)

Table 37. Output Driver Configuration

| Bits  | Bit Name             | Description  |
|-------|----------------------|--|
| 31:24 | OUTPUT4 Divider[7:0] | The value of the OUTPUT4 divider. As an 8-bit decimal value, n, the VCO frequency is divided by n, where n = 4 to 255, and divided by 256 + n, where n = 0 to 3. |
| 23:16 | OUTPUT3 Divider[7:0] | The value of the OUTPUT3 divider. As an 8-bit decimal value, n, the VCO frequency is divided by n, where n = 4 to 255, and divided by 256 + n, where n = 0 to 3. |
| 15:8  | OUTPUT2 Divider[7:0] | The value of the OUTPUT2 divider. As an 8-bit decimal value, n, the VCO frequency is divided by n, where n = 4 to 255, and divided by 256 + n, where n = 0 to 3. |
| 7:0   | OUTPUT1 Divider[7:0] | The value of the OUTPUT1 divider. As an 8-bit decimal value, n, the VCO frequency is divided by n, where n = 4 to 255, and divided by 256 + n, where n = 0 to 3. |

## PLL1 CONFIGURATION (REGISTER 6, ADDRESS 0x06)

Table 38. PLL1 Configuration

| Bits  | Bit Name   | Description   |
|-------|--|---|
| 39:32 | PLL1 Integer Feedback Divider[7:0]                             | PLL1 integer feedback divider. This is a fixed point value that contains the integer portion of the feedback divider. The smallest allowable value of the PLL1 feedback divider is 23.  |
| 31:10 | PLL1 Fractional Feedback Divider[27:6]                         | PLL1 fractional feedback divider, Bits[27:6]. If PLL1 is in fractional mode, all 28 bits in the PLL1 fractional feedback divider are used. If PLL1 is in integer mode, the first three bits in this register can be used either for phase interpolation or for MASH modulation, according to the value of S[1:0]. In fractional mode, at full phase interpolation, the fractional portion of the PLL1 feedback divider is 28 bits, for a resolution of $1/(2^{28})$ , or $3.7 \times 10^{-9}$ , or approximately 4 ppb. |
| 9:4   | PLL1 Fractional Feedback Divider[5:0], PLL1 Modulus Value[5:0] | In fractional mode, this register contains Bits[5:0] of the PLL1 fractional feedback divider. In rational mode, this register contains Bits[5:0] of the PLL1 modulus value. This register is not used in integer mode; do not set the bits in this register to 0 in integer mode.   |
| 3     | ENPFD  | This bit controls the power supplies to the charge pump and phase frequency detector. Keep this bit set to 1, the default setting. These subsystems are automatically disabled whenever the corresponding PLL is powered down via the $\overline{\text{PD1}}$ pin.  |
| 2     | VCO PU   | This bit controls the power supplies to the VCO. Keep this bit set to 1, the default setting. This subsystem is automatically disabled whenever the corresponding PLL is powered down via the $\overline{\text{PD1}}$ pin.  |
| 1     | Feedback divider PU  | This bit controls the power supplies to the feedback divider. Keep this bit set to 1, the default setting. This subsystem is automatically disabled whenever the corresponding PLL is powered down via the $\overline{\text{PD1}}$ pin.   |
| 0     | PLL1 lock IRQ  | This bit sets the function of the SDO/LOL pin.<br>0 (default): the SDO/LOL pin function is serial data output (SDO).<br>1: the SDO/LOL pin function is IRQ, which is used as a loss of lock (LOL) indicator.  |

**PLL1 CONFIGURATION (REGISTER 7, ADDRESS 0x07)****Table 39. PLL1 Configuration**

| Bits  | Bit Name                   | Description   |
|-------|----------------------------|---|
| 39:37 | PLL1 Dither[2:0]           | Order of dither generation. When PLL1 Dither[2:0] is 0, there is no dithering. All nonzero values create dither of the value stored in PLL1 Dither[2:0]. Dither is a noise shaped random value that is added to the divider fractional value at each calculation of the modulation, which helps to disperse harmonic spurs resulting from short modulation sequences. The time average value of dither is always zero, so that the use of dither does not change the divider value. The use of dither is highly dependent upon the choice of value for Dither Scale[4:0]. For normal operation, always set PLL1 Dither[2:0] to zero when PLL1 MASH[2:0] is zero. The largest usable value of PLL1 Dither[2:0] is 5. Typically, the value of PLL1 Dither[2:0] is set equal to the value of PLL1 MASH[2:0].   |
| 36:32 | Dither Scale[4:0]          | Dither scale. The dither scale, in bits. The dither value is a signed value of one to five bits in length, depending on the value chosen for PLL1 Dither[2:0]. To be effective, this value must be scaled up until the amount of dither is equal to 1/2 LSB of the divider value. The proper dither scale value for the dither is therefore equal to the number of zeros following the last bit set to 1 in the feedback divider value. Because the dither is a signed value, Dither Scale[4:0] must always be larger than the PLL1 Dither[2:0] setting.  |
| 31:29 | PLL1 MASH[2:0]             | The order of MASH modulation. When PLL1 MASH[2:0] = 0, there is no modulation. Any fractional value given to the feedback divider that is at a finer resolution than the phase interpolation, S[1:0], results in an inaccurate output frequency. For all nonzero values of PLL1 MASH[2:0], modulation is used unless the feedback divider does not require modulation to be represented exactly (for example, if the feedback divider is an integer number). Modulation means that the feedback divider alternates between floor(PLL1 Fractional Feedback Divider[27:0]) and ceiling(PLL1 Fractional Feedback Divider[27:0]) according to a pattern whose time averaged value is PLL1 Fractional Feedback Divider[27:0]. When PLL1 MASH[2:0] = 1, first-order modulation is used. First-order modulation typically has large noise spurs due to the short length of the modulation patterns. Noise decreases as a function of PLL1 MASH[2:0], although for values of PLL1 MASH[2:0] greater than 2, this effect may not be measurable. The largest usable value of PLL1 MASH[2:0] is 4. |
| 28:24 | PLL1 Frequency Select[4:0] | This 5-bit value sets the frequency range of the VCO. Smaller values correspond to higher frequency. The evaluation software sets the optimal value; therefore, the user does not normally need to change this register. Table 27 contains the frequency ranges for each register setting. Note that the PLL1 KVCO band bit in Register 0x0C must be set to 1 for Frequency Select[4:0] = 14 through 27 (decimal).  |
| 23    | Power-on override          | When set to 1, this bit, one for each PLL, disables the simultaneous synchronization pulses sent to PLL1 and PLL2 during the power-up cycle. Otherwise, both PLL outputs are synchronized at startup.   |
| 22:21 | S[1:0]                     | The order of phase interpolation. When S[1:0] = 0, a fractional divider is interpolated among eight phases; therefore, values down to 1/8 can be represented exactly, without modulation. When S[1:0] = 1, the value is interpolated among four phases. When S[1:0] = 2, the value is interpolated between two phases, and when S[1:0] = 3, there is no phase interpolation. For example, the feedback divider of 64.5 can be represented either by PLL1 MASH[2:0] = 0, S[1:0] = 2; or by PLL1 MASH[2:0] = 1, S[1:0] = 3. In both cases, the output frequency is the same. However, the phase noise characteristics of the two representations differ. The use of phase interpolation allows up to three bits greater precision in the feedback divider. A consequence of reducing the phase interpolation is the loss of bits at the end of PLL1 Fractional Feedback Divider[27:0]. For example, when S[1:0] = 2, the last bit of PLL1 Fractional Feedback Divider[27:0] is ignored.   |
| 20:16 | CUR[4:0]                   | Each PLL has a current trim for the charge pump, with the current given by the equation $(3.125 \times (1 + CUR)) \mu\text{A}$ , for a minimum current of 3.125 $\mu\text{A}$ at CUR[4:0] = 0, and a maximum current of 100 $\mu\text{A}$ at CUR[4:0] = 31.   |
| 15    | PLL1 phase advance         | This bit, one for each PLL, is an active control that shifts the output of the VCO forward one of eight phases (1/8 cycle). This phase shift happens regardless of the S[1:0] setting for the PLL. The phase advance is edge triggered; therefore, no further phase advancement occurs until this bit is set back to 0 and raised again. This feature can be used to precisely align the phases of the two PLLs.  |
| 14    | Reset feedback divider     | This bit resets the feedback divider. Set and clear this bit if the order of the MASH is changed or if the feedback divider in Register 6 is changed.   |
| 13    | OUTPUT1_2 reset            | This bit resets the OUTPUT1 and OUTPUT2 output driver. This bit is normally set to 0, although it can be set and cleared to reset the OUTPUT1 and OUTPUT2 output drivers.   |
| 12    | Force reset                | This active signal forces a reset cycle that generates synchronization pulses for the outputs of each PLL.  |
| 11    | PLL1 phase retard          | This bit is similar to the advance bit but shifts the output of the VCO backward one of eight phases.   |
| 10    | Rational mode              | This bit sets the rational mode, the use of which is described in detail in the PLLs section. In rational mode, the feedback divider fractional part is a ratio of integers, with the numerator encoded in PLL1 Fractional Feedback Divider[24:9] in Register 6 and the denominator encoded in PLL1 Modulus Value[15:6] of this register.   |

| Bits | Bit Name                 | Description  |
|------|--------------------------|--|
| 9:0  | PLL1 Modulus Value[15:6] | The first 10 bits of the 16-bit modulus value. When the 16-bit binary value is 0, the PLL1 Fractional Feedback Divider[27:0] value is interpreted as a 28-bit fixed point value. When PLL1 Modulus Value[15:0] is nonzero, and the rational mode bit is set, the feedback divider ratio is calculated by a complicated expression (see Table 26). In the simplest case, S[1:0] is set to 3 (no phase interpolation), and the feedback divider expression is PLL1 Fractional Feedback Divider[24:9] + (PLL1 Feedback Divider[24:9]/modulus), generating a feedback divider that is an exact ratio of integers. Note that having a numerator that is larger than the denominator is an invalid configuration. Also, note that the lower six bits of the modulus value are shared with the lowest six bits of PLL1 Feedback Divider[27:0], which are not otherwise used in rational mode. |

## PLL2 CONFIGURATION (REGISTER 8, ADDRESS 0x08)

Table 40. PLL2 Configuration

| Bits  | Bit Name   | Description   |
|-------|--|---|
| 39:32 | PLL2 Integer Feedback Divider[7:0]                             | PLL2 integer feedback divider. This is a fixed point value that contains the integer portion of the feedback divider. The smallest allowable value of the PLL1 feedback divider is 23.  |
| 31:10 | PLL2 Fractional Feedback Divider[27:6]                         | PLL2 fractional feedback divider, Bits[27:6]. If PLL2 is in fractional mode, all 28 bits in the PLL2 fractional feedback divider are used. If PLL1 is in integer mode, the first three bits in this register can be used either for phase interpolation or for MASH modulation, according to the value of S[1:0]. In fractional mode at full phase interpolation, the fractional part of the PLL1 feedback divider is 28 bits, for a resolution of $1/(2^{28})$ , or $3.7 \times 10^{-9}$ , or approximately 4 ppb. |
| 9:4   | PLL2 Fractional Feedback Divider[5:0], PLL2 Modulus Value[5:0] | In fractional mode, this register contains Bits[5:0] of the PLL2 fractional feedback divider. In rational mode, this register contains Bits[5:0] of the PLL2 modulus value. This register is not used in integer mode; do not set the bits in this register to 0 in integer mode.   |
| 3     | ENPFD  | This bit controls the power supplies to the charge pump and phase frequency detector. Keep this bit set to 1, the default setting. These subsystems are automatically disabled whenever the corresponding PLL is powered down via the $\overline{\text{PD1}}$ pin.  |
| 2     | VCO PU   | This bit controls the power supplies to the VCO. Keep this bit set to 1, the default setting. This subsystem is automatically disabled whenever the corresponding PLL is powered down via the $\overline{\text{PD1}}$ pin.  |
| 1     | Feedback divider PU  | This bit controls the power supplies to the feedback divider. Keep this bit set to 1, the default setting. This subsystem is automatically disabled whenever the corresponding PLL is powered down via the $\overline{\text{PD1}}$ pin.   |
| 0     | PLL2 lock IRQ (SDO changes to IRQ)                             | This bit sets the function of the SDO/LOL pin.<br>0 (default): the SDO/LOL pin function is serial data output (SDO).<br>1: the SDO/LOL pin function is IRQ, which is used as a loss of lock (LOL) indicator.  |

## PLL2 CONFIGURATION (REGISTER 9, ADDRESS 0x09)

Table 41. PLL2 Configuration

| Bits  | Bit Name          | Description   |
|-------|-------------------|---|
| 39:37 | PLL2 Dither[2:0]  | Order of dither generation. When PLL2 Dither[2:0] is 0, there is no dithering. All nonzero values create dither of the value stored in PLL2 Dither[2:0]. Dither is a noise shaped random value that is added to the divider fractional value at each calculation of the modulation, which helps to disperse harmonic spurs resulting from short modulation sequences. The time average value of dither is always zero, so that the use of dither does not change the divider value. The use of dither is highly dependent upon the choice of value for Dither Scale[4:0]. For normal operation, always set PLL2 Dither[2:0] to zero when PLL2 MASH[2:0] is zero. The largest usable value of PLL2 Dither[2:0] is 5. Typically, the value of PLL2 Dither[2:0] is set equal to the value of PLL2 MASH[2:0]. |
| 36:32 | Dither Scale[4:0] | Dither scale. The dither scale, in bits. The dither value is a signed value of one to five bits in length, depending on the value chosen for PLL2 Dither[2:0]. To be effective, this value must be scaled up until the amount of dither is equal to 1/2 LSB of the divider value. The proper dither scale value for the dither is therefore equal to the number of zeros following the last bit set to 1 in the feedback divider value. Because the dither is a signed value, Dither Scale[4:0] must always be larger than the PLL2 Dither[2:0] setting.  |



| Bits  | Bit Name                   | Description   |
|-------|----------------------------|---|
| 31:29 | PLL2 MASH[2:0]             | The order of MASH modulation. When PLL2 MASH[2:0] = 0, there is no modulation. Any fractional value given to the feedback divider that is at a finer resolution than the phase interpolation, S[1:0], results in an inaccurate output frequency. For all nonzero values of PLL2 MASH[2:0], modulation is used unless the feedback divider does not require modulation to be represented exactly (for example, if the feedback divider is an integer number). Modulation means that the feedback divider alternates between floor(PLL2 Fractional Feedback Divider[27:0]) and ceiling(PLL2 Fractional Feedback Divider[27:0]) according to a pattern whose time averaged value is PLL2 Fractional Feedback Divider[27:0]. When PLL2 MASH[2:0] = 1, first-order modulation is used. First-order modulation typically has large noise spurs due to the short length of the modulation patterns. Noise decreases as a function of PLL2 MASH[2:0], although for values of PLL2 MASH[2:0] greater than 2, this effect may not be measurable. The largest usable value of PLL2 MASH[2:0] is 4. |
| 28:24 | PLL2 Frequency Select[4:0] | This 5-bit value sets the frequency range of the VCO. Smaller values correspond to higher frequency. The evaluation software sets the optimal value; therefore, the user does not normally need to change this register. Table 27 contains the frequency ranges for each register setting. Note that the PLL2 $K_{VCO}$ band bit in Register 0x0E must be set to 1 for PLL2 Frequency Select[4:0] = 14 through 27 (decimal).  |
| 23    | Power-on override          | When set to 1, this bit, one for each PLL, disables the simultaneous synchronization pulses sent to PLL1 and PLL2 during the power-up cycle. Otherwise, both PLL outputs are synchronized at startup.   |
| 22:21 | S[1:0]                     | The order of phase interpolation. When S[1:0] = 0, a fractional divider is interpolated among eight phases; therefore, values down to 1/8 can be represented exactly, without modulation. When S[1:0] = 1, the value is interpolated among four phases. When S[1:0] = 2, the value is interpolated between two phases, and when S[1:0] = 3, there is no phase interpolation. For example, the feedback divider of 64.5 can be represented either by PLL2 MASH[2:0] = 0, S[1:0] = 2; or by PLL2 MASH[2:0] = 1, S[1:0] = 3. In both cases, the output frequency is the same. However, the phase noise characteristics of the two representations differ. The use of phase interpolation allows up to three bits greater precision in the feedback divider. A consequence of reducing the phase interpolation is the loss of bits at the end of PLL2 Fractional Feedback Divider[27:0]. For example, when S[1:0] = 2, the last bit of PLL2 Fractional Feedback Divider[27:0] is ignored.   |
| 20:16 | CUR[4:0]                   | Each PLL has a current trim for the charge pump, with the current given by the equation $(3.125 \times (1 + CUR)) \mu\text{A}$ , for a minimum current of 3.125 $\mu\text{A}$ at CUR[4:0] = 0, and a maximum current of 100 $\mu\text{A}$ at CUR[4:0] = 31.   |
| 15    | PLL2 phase advance         | This bit, one for each PLL, is an active control that shifts the output of the VCO forward one of eight phases (1/8 cycle). This phase shift happens regardless of the S[1:0] setting for the PLL. The phase advance is edge triggered; therefore, no further phase advancement occurs until this bit is set back to 0 and raised again. This feature can be used to precisely align the phases of the two PLLs.  |
| 14    | Reset feedback divider     | This bit resets the feedback divider. Set and clear this bit if the order of the MASH is changed or if the feedback divider in Register 8 is changed.   |
| 13    | OUTPUT3_4 reset            | This bit resets the OUTPUT3 and OUTPUT4 output driver. This bit is normally set to 0, although it can be set and cleared to reset the OUTPUT3 and OUTPUT4 output drivers.   |
| 12    | Force reset                | This active signal forces a reset cycle that generates synchronization pulses for the outputs of each PLL.  |
| 11    | PLL2 phase retard          | This bit is similar to the advance bit but shifts the output of the VCO backward one of eight phases.   |
| 10    | Rational mode              | This bit sets the rational mode, the use of which is described in detail in the PLLs section. In rational mode, the feedback divider fractional part is a ratio of integers, with the numerator encoded in PLL2 Fractional Feedback Divider[24:9] in Register 8 and the denominator encoded in PLL2 Modulus Value[15:6] of this register.   |
| 9:0   | PLL2 Modulus Value[15:6]   | The first 10 bits of the 16-bit modulus value. When the 16-bit binary value is 0, the PLL1 Fractional Feedback Divider[27:0] value is interpreted as a 28-bit fixed point value. When PLL1 Modulus Value[15:0] is nonzero, and the rational mode bit is set, the feedback divider ratio is calculated by a complicated expression (see Table 26). In the simplest case, S[1:0] is set to 3 (no phase interpolation), and the feedback divider expression is PLL1 Fractional Feedback Divider[24:9] + (PLL1 Feedback Divider[24:9]/modulus), generating a feedback divider that is an exact ratio of integers. Note that having a numerator that is larger than the denominator is an invalid configuration. Also, note that the lower six bits of the modulus value are shared with the lowest six bits of PLL1 Feedback Divider[27:0], which are not otherwise used in rational mode.  |

**XTAL2 CONFIGURATION (REGISTER 10, ADDRESS 0x0A)**

Table 42. XTAL2 Configuration

| Bits  | Bit Name                     | Description  |                              |   |   |     |   |    |     |   |    |     |    |    |     |    |    |     |    |    |     |    |    |     |    |    |     |    |    |
|-------|------------------------------|--|------------------------------|---|---|-----|---|----|-----|---|----|-----|----|----|-----|----|----|-----|----|----|-----|----|----|-----|----|----|-----|----|----|
| 15    | XTAL2 frequency trim         | This is an additional gain trim bit for the second crystal oscillator. XTAL2 frequency trim = 1 is recommended for optimal performance with crystal frequencies $\leq 33$ MHz. See Table 25.   |                              |   |   |     |   |    |     |   |    |     |    |    |     |    |    |     |    |    |     |    |    |     |    |    |     |    |    |
| 14:12 | XTAL1 Capacitance Value[2:0] | These register bits control the amount of internal load capacitance on the XO3 and XO4 pins. The correct setting can be determined using the following equation: $2 \times (C_{LOAD} - C_{STRAY})$ where $C_{LOAD}$ is the specified load capacitance of the crystal used, and $C_{STRAY}$ is the stray capacitance (usually 2 pF to 5 pF) on the circuit board.   |                              |   |   |     |   |    |     |   |    |     |    |    |     |    |    |     |    |    |     |    |    |     |    |    |     |    |    |
|       |                              | <table border="1"> <thead> <tr> <th>XTAL2 Capacitance Value[2:0]</th> <th><math>C_{LOAD}</math> of Crystal (pF)</th> <th>Recommended Internal Capacitance on XO3/XO4 Pins (Assuming 3 pF Stray Capacitance) (pF)</th> </tr> </thead> <tbody> <tr><td>000</td><td>8</td><td>10</td></tr> <tr><td>001</td><td>9</td><td>12</td></tr> <tr><td>010</td><td>10</td><td>14</td></tr> <tr><td>011</td><td>11</td><td>16</td></tr> <tr><td>100</td><td>12</td><td>18</td></tr> <tr><td>101</td><td>13</td><td>20</td></tr> <tr><td>110</td><td>14</td><td>22</td></tr> <tr><td>111</td><td>15</td><td>24</td></tr> </tbody> </table> | XTAL2 Capacitance Value[2:0] | $C_{LOAD}$ of Crystal (pF)  | Recommended Internal Capacitance on XO3/XO4 Pins (Assuming 3 pF Stray Capacitance) (pF) | 000 | 8 | 10 | 001 | 9 | 12 | 010 | 10 | 14 | 011 | 11 | 16 | 100 | 12 | 18 | 101 | 13 | 20 | 110 | 14 | 22 | 111 | 15 | 24 |
|       |                              | XTAL2 Capacitance Value[2:0]   | $C_{LOAD}$ of Crystal (pF)   | Recommended Internal Capacitance on XO3/XO4 Pins (Assuming 3 pF Stray Capacitance) (pF) |   |     |   |    |     |   |    |     |    |    |     |    |    |     |    |    |     |    |    |     |    |    |     |    |    |
|       |                              | 000  | 8                            | 10  |   |     |   |    |     |   |    |     |    |    |     |    |    |     |    |    |     |    |    |     |    |    |     |    |    |
|       |                              | 001  | 9                            | 12  |   |     |   |    |     |   |    |     |    |    |     |    |    |     |    |    |     |    |    |     |    |    |     |    |    |
|       |                              | 010  | 10                           | 14  |   |     |   |    |     |   |    |     |    |    |     |    |    |     |    |    |     |    |    |     |    |    |     |    |    |
|       |                              | 011  | 11                           | 16  |   |     |   |    |     |   |    |     |    |    |     |    |    |     |    |    |     |    |    |     |    |    |     |    |    |
|       |                              | 100  | 12                           | 18  |   |     |   |    |     |   |    |     |    |    |     |    |    |     |    |    |     |    |    |     |    |    |     |    |    |
|       |                              | 101  | 13                           | 20  |   |     |   |    |     |   |    |     |    |    |     |    |    |     |    |    |     |    |    |     |    |    |     |    |    |
| 110   | 14                           | 22   |                              |   |   |     |   |    |     |   |    |     |    |    |     |    |    |     |    |    |     |    |    |     |    |    |     |    |    |
| 111   | 15                           | 24   |                              |   |   |     |   |    |     |   |    |     |    |    |     |    |    |     |    |    |     |    |    |     |    |    |     |    |    |
| 14:12 | XTAL2 Capacitance Value[2:0] | These register bits are identical to the ones in Register 3, except that they apply to XTAL2, which is connected to the XO3 and XO4 pins.  |                              |   |   |     |   |    |     |   |    |     |    |    |     |    |    |     |    |    |     |    |    |     |    |    |     |    |    |
| 11:9  | XTAL2 Gain[2:0]              | These are gain trim bits for the second crystal oscillator. Optimal performance is achieved when the gain is programmed according to the ESR of the crystal. See Table 25.   |                              |   |   |     |   |    |     |   |    |     |    |    |     |    |    |     |    |    |     |    |    |     |    |    |     |    |    |
| 8     | Enable XTAL2                 | Setting the enable XTAL2 bit and the REFSELx bit allows the second crystal oscillator to be used as the PLLx reference.  |                              |   |   |     |   |    |     |   |    |     |    |    |     |    |    |     |    |    |     |    |    |     |    |    |     |    |    |
| 7:0   | Reserved                     | Reserved. Set to 0.  |                              |   |   |     |   |    |     |   |    |     |    |    |     |    |    |     |    |    |     |    |    |     |    |    |     |    |    |

**RESERVED (REGISTER 11, ADDRESS 0x0B)**

Table 43. Reserved

| Bits | Bit Name | Description                        |
|------|----------|------------------------------------|
| 31:0 | Reserved | Factory configured; do not change. |

**PLL1  $K_{VCO}$  BAND (REGISTER 12, ADDRESS 0x0C)**Table 44. PLL1  $K_{VCO}$  Band

| Bits | Bit Name            | Description   |
|------|---------------------|---|
| 31   | PLL1 $K_{VCO}$ band | $K_{VCO}$ band for PLL1. When changing the PLL1 $K_{VCO}$ band bit, it is best to first read the entire register and then write the same values for other bits in this register.<br>0 (default): set to 0 if PLL1 Frequency Select[4:0] (Register 7, Bits[28:24]) is between 0 and 13.<br>1: set to 1 if PLL1 Frequency Select[4:0] (Register 7, Bits[28:24]) is between 14 and 27. |
| 30:0 | Reserved            | Factory configured; do not change. Default: varies.   |

**RESERVED (REGISTER 13, ADDRESS 0x0D)**

Table 45. Reserved

| Bits | Bit Name | Description                        |
|------|----------|------------------------------------|
| 31:0 | Reserved | Factory configured; do not change. |

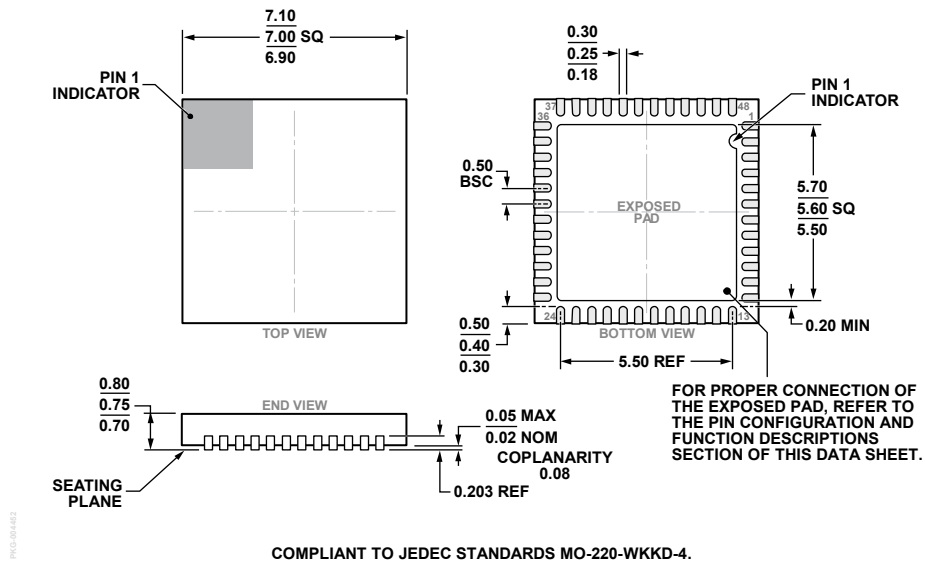
**PLL2 K<sub>VCO</sub> BAND (REGISTER 14, ADDRESS 0x0E)****Table 46. PLL2 K<sub>VCO</sub> Band**

| Bits | Bit Name                   | Description   |
|------|----------------------------|---|
| 31   | PLL2 K <sub>VCO</sub> band | K <sub>VCO</sub> band for PLL2. When changing the PLL2 K <sub>VCO</sub> band bit, it is best to first read the entire register and then write the same values for other bits in this register.<br>0 (default): set to 0 if PLL2 Frequency Select[4:0] (Register 9, Bits[28:24]) is between 0 and 13.<br>1: set to 1 if PLL2 Frequency Select[4:0] (Register 9, Bits[28:24]) is between 14 and 27. |
| 30:0 | Reserved                   | Factory configured; do not change. Default: varies.   |

**PLL LOCK DETECT (REGISTER 15, ADDRESS 0x0F)****Table 47. PLL Lock Detect (Read Only)**

| Bits  | Bit Name              | Description  |
|-------|-----------------------|--|
| 23    | PLL2 lock detect      | PLL2 lock detect.<br>0: PLL2 is not locked, possibly indicating the absence of an input reference, or that the PLL is misconfigured.<br>1: PLL2 is locked. |
| 22    | Reserved              |  |
| 21    | PLL1 lock detect      | PLL1 lock detect.<br>0: PLL1 is not locked, possibly indicating the absence of an input reference, or that the PLL is misconfigured.<br>1: PLL1 is locked. |
| 20:19 | Reserved              | Set to 00b.  |
| 18:17 | Revision Subcode[1:0] | This 2-bit value gives the mask variant of the <a href="#">AD9578</a> . Default: 01b   |
| 6     | Reserved              | Default: 0x00  |
| 15:0  | Unused                | Set to 0.  |

OUTLINE DIMENSIONS



COMPLIANT TO JEDEC STANDARDS MO-220-WKGD-4.

Figure 36. 48-Lead Lead Frame Chip Scale Package [LFCSP\_VQ]  
 7 mm × 7 mm Body, Very Very Thin Quad  
 (CP-48-13)  
 Dimensions shown in millimeters

ORDERING GUIDE

| Model <sup>1</sup> | Temperature Range | Package Description            | Package Option |
|--------------------|-------------------|--------------------------------|----------------|
| AD9578BCPZ         | -25°C to +85°C    | 48-Lead LFCSP_VQ Tube          | CP-48-13       |
| AD9578BCPZ-REEL7   | -25°C to +85°C    | 48-Lead LFCSP_VQ Tape and Reel | CP-48-13       |
| AD9578/PCBZ        | -25°C to +85°C    | Evaluation Board               | CP-48-13       |

<sup>1</sup> Z = RoHS Compliant Part.