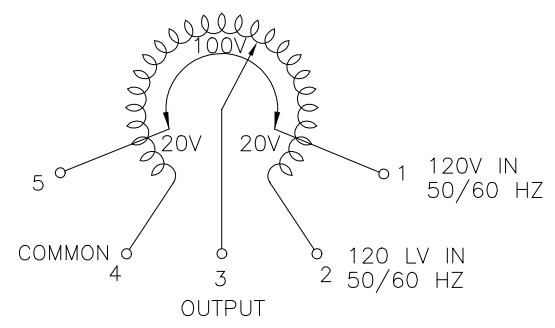


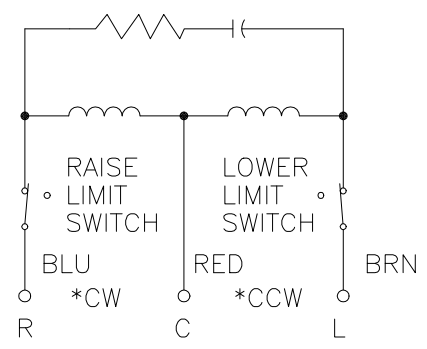
STANDOFFS TAPPED  
1/2-13 X .50 (12.7)  
DEEP FOR MTG. BOLTS  
(4) PLACES

.41 [10.3] WIDE MOUNTING SLOTS  
(4) PLACES

+ MOTOR DRIVEN UNITS USE TERMINAL CONNECTORS FOR CCW INCREASING VOLTAGE, AS VIEWED FROM THE BASE END.



SCHMATIC  
VIEW FROM BASE END



MOTOR CIRCUIT  
120V 50/60 HZ.  
MOTOR SPEED: SEE CHART  
\* ROTATION AS VIEWED FROM MOTOR END

SPEED (SECONDS)	MODEL NUMBER
5	5M2510C
15	15M2510C
30	30M2510C
60	60M2510C

SPECIFICATIONS											
WIRING	INPUT		OUTPUT				SHAFT ROTATION TO INCREASE VOLTAGE	TERMINAL CONNECTIONS			
	VOLTS	HERTZ	VOLTS	CONSTANT CURRENT LOAD	CONSTANT IMPEDANCE LOAD	FOR INCREASING VOLTAGE AS VIEWED FROM BASE END +					
SINGLE PHASE	120	50/60	0-120	MAX. AMPS	MAX. KVA	MAX. AMPS	MAX. KVA	CW	INPUT	JUMPER	OUTPUT
				25	3.00	30	3.6	CCW	2-4	---	4-3
			0-140	25	3.50	---	---	CW	1-4	---	4-3
				---	---	---	---	CCW	2-5	---	2-3

UNLESS OTHERWISE SPECIFIED, TOLERANCE IS ±  
DECIMALS .XX .010  
HOLES .002  
ANGLES 1°  
DRAFT 1-1/2°  
UNITS IN [mm]

MATERIAL: ALL DIMENSIONS APPLY AFTER PLATING

TITLE: SPEC. CONTROL DRAWING  
VARIABLE TRANSFORMER  
TYPE: M2510C

DRAWN BY: TIM RAU  
DATE: 4/7/97  
FIRST USED ON: DO NOT SCALE DWG.  
CHECKER: DATE: WEIGHT APPROX. CAGE CODE: 83008  
ENGINEER: DATE: SCALE: .5=1 SHEET 1 OF 1

STACO ENERGY PRODUCTS CO.  
A Components Corporation of Ameresco Company  
302 Gadsden Boulevard Dayton, Ohio 45403 USA

DWG. NO. 031-5110