

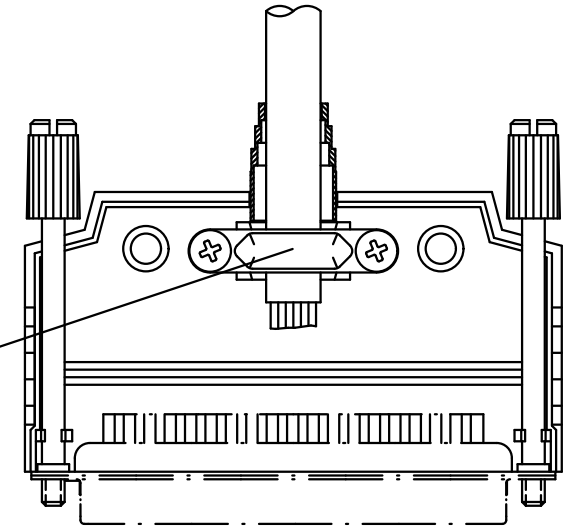
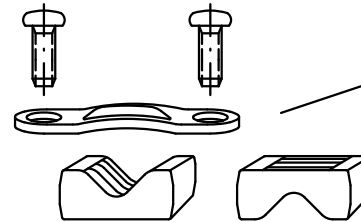
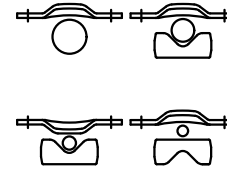
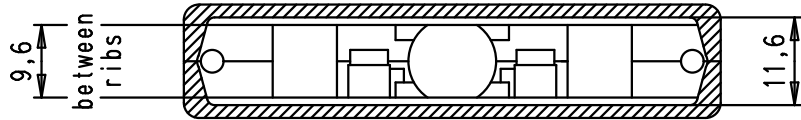
5

4

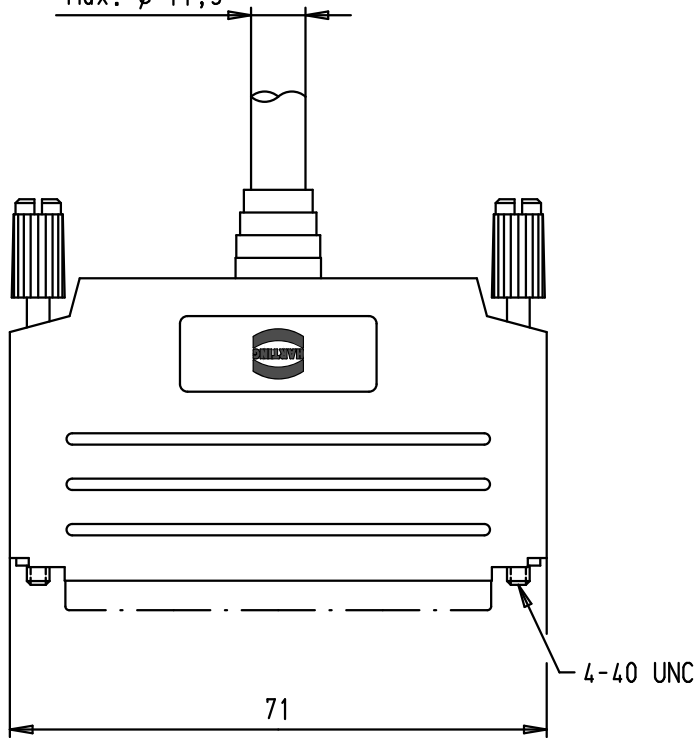
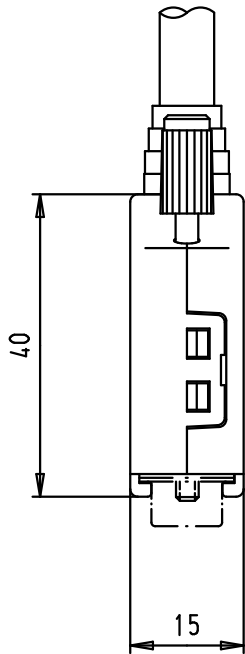
3

2

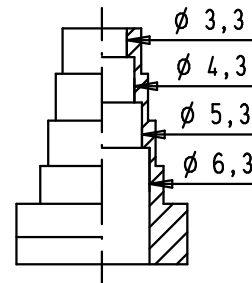
1



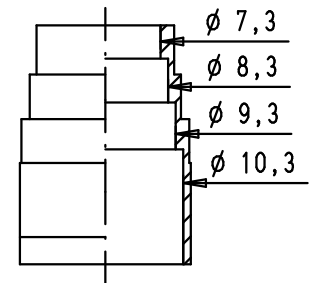
Max. ϕ 11,5



Cable diameters



Cable diameters



Scale: 2:1

A

				Dot.	Name	<p>All Dim. in mm Orig. Size DIN A 4</p>	<p>D-Sub, top entry hood with knurled screws, 37 poles, thermoplastic metallized</p>	Maßstab/ Scale
			Detail.	28/03/02	CV			1:1
			Insp.					2:1
			Stand.					Blatt/ Page
34784	12/02/08	PK	HARTING EURL				<p>TB 09 67 037 0425</p>	<p>1 1</p>
29760	28/03/02	CV	F-95972 Paris					
Mod.	Dot.	Name					Sub.	