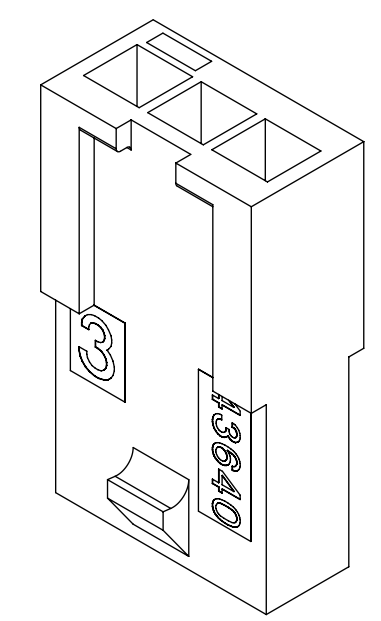
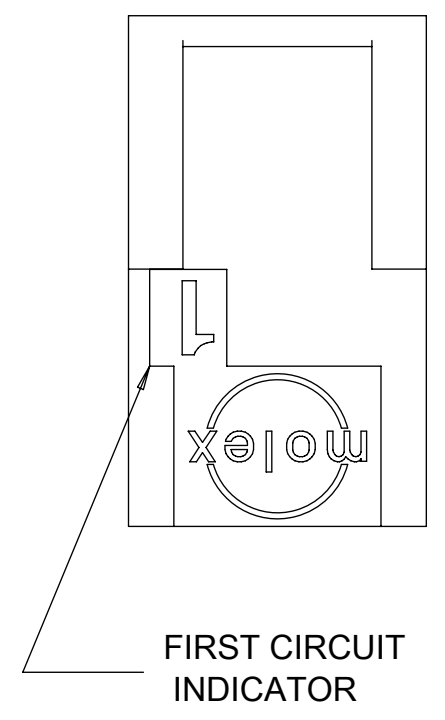
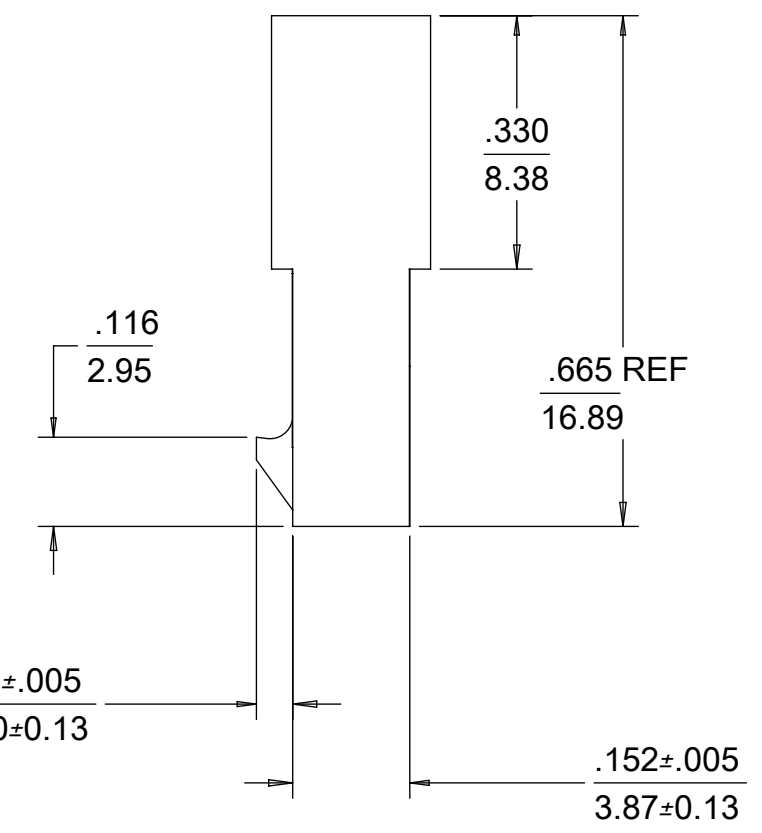
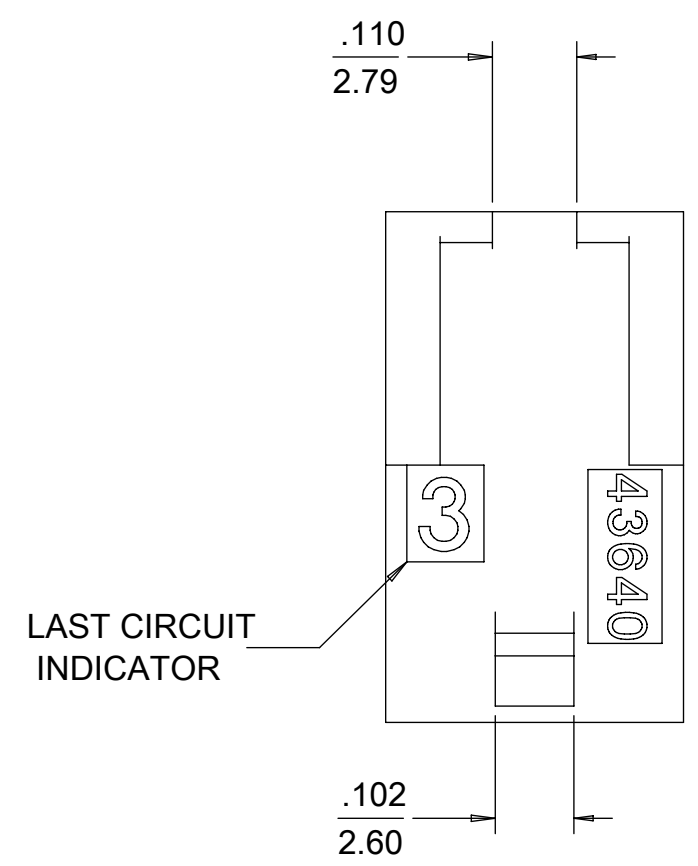
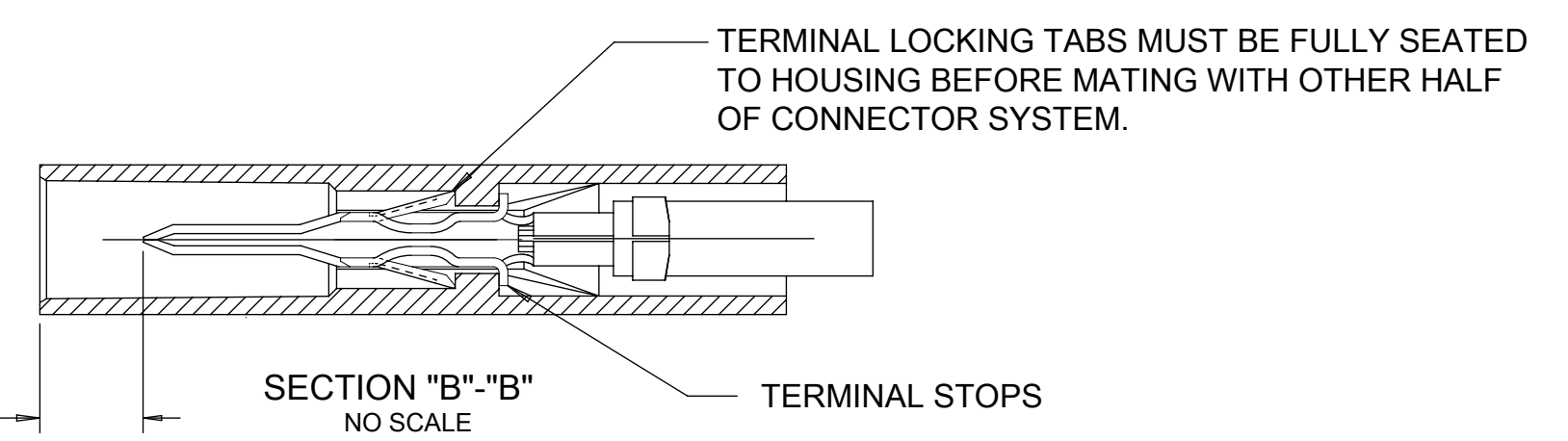
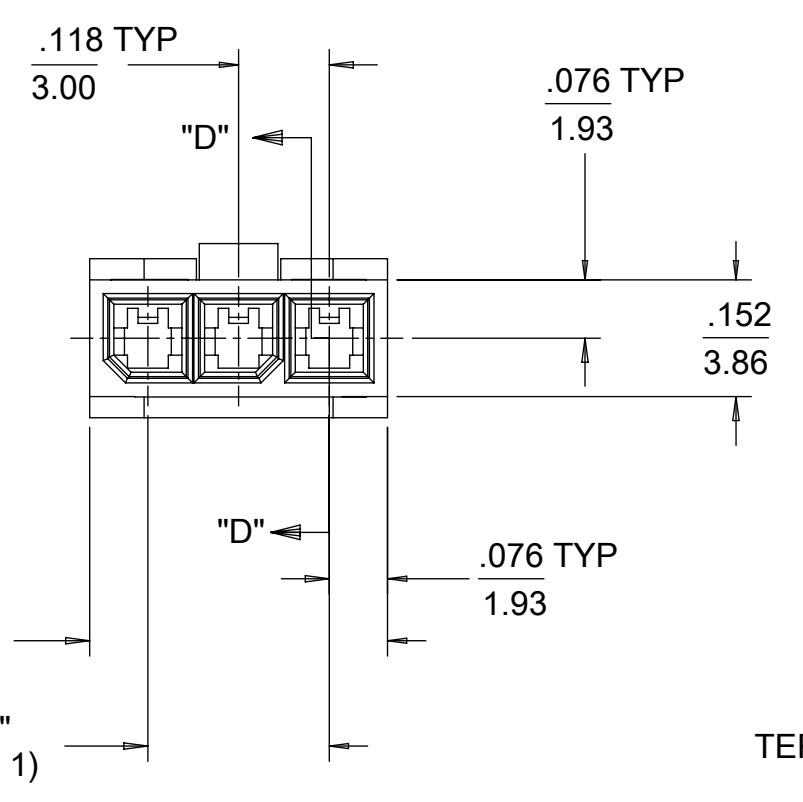


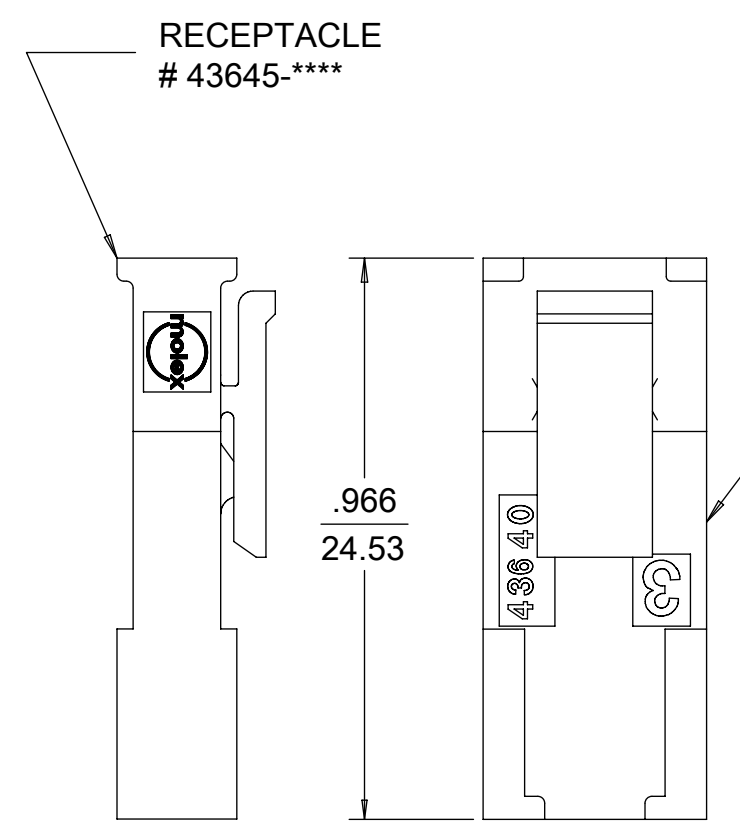
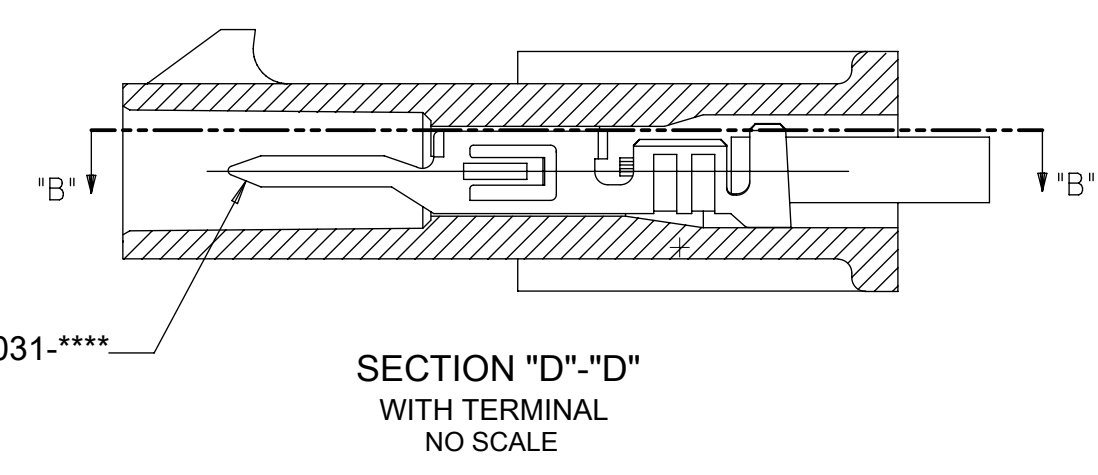
X- CONTACT FACTORY	ASSEMBLY ITEM NUMBER	PART CHARACTERISTICS
		NUMBER OF POSITION
	43640-0209	02
	43640-0309	03
	43640-0409	04
X		05
	43640-0609	06
	43640-0709	07
X		08
X		09
X		10
X		11
X		12



PLUG WITHOUT PANEL MOUNTS



TERMINAL INSERTION DEPTH



MATED MICRO-FIT CONNECTOR

PLUG # 43640-**01

QUALITY SYMBOLS 	THIS DRAWING CONTAINS INFORMATION THAT IS PROPRIETARY TO MOLEX ELECTRONIC TECHNOLOGIES, LLC AND SHOULD NOT BE USED WITHOUT WRITTEN PERMISSION				molex MICRO-FIT(3.0) IN-LINE PLUG, LOW HALOGEN WITH OPTIONAL PANEL MOUNTS PRODUCT CUSTOMER DRAWING
	EC NO: 111284 DRWN: JQUILES CHKD: SSOUSEK REV APPR: FSMITH	2016/10/05 2016/12/22 2017/01/06	GENERAL TOLERANCES (UNLESS SPECIFIED) 4 PLACES ± 3 PLACES ± 0.01 2 PLACES ± 0.25 1 PLACES ± 0.35 0 PLACES ±	DIMENSION UNITS: IN/MM SCALE: 4:1 DRWN BY: MKIPPER DATE: 2008/01/21 CHK'D BY: SSOUSEK DATE: 2008/01/30 APPR BY: FSMITH DATE: 2015/05/08	
UPDATE NOTE 1 EC NO: 111284 DRWN: JQUILES CHKD: SSOUSEK REV APPR: FSMITH	2016/10/05 2016/12/22 2017/01/06	ANGULAR TOL = 5.0 DRAFT WHERE APPLICABLE MUST REMAIN WITHIN DIMENSIONS	DIMENSION UNITS: C THIRD ANGLE PROJECTION	DOCUMENT NUMBER: SD-43640-001 DOC TYPE: PSD DOC PART: 000 SHEET NUMBER: 2 OF 2	