

Ratings
 Voltage: 30 V
 Current: 2.5 A

Operating Temperature Range
 -55~85 °C

Materials

- ① Insulator: PA4T, UL94 V-0, black
- ② Contact: C5191 Phosphor bronze, 20 μ" silver plated
- ③ Shell: SUS304, >50 μ" nickel plated
- ④ Blue LED

Electrical Requirements

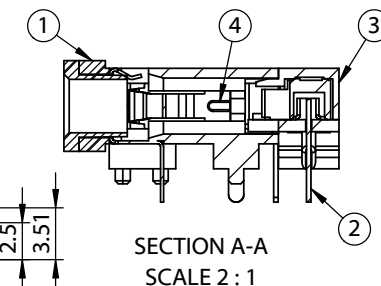
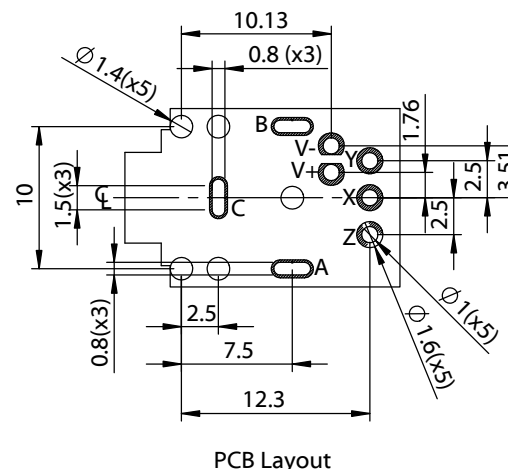
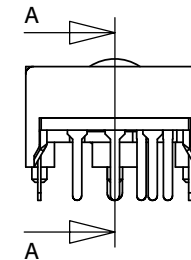
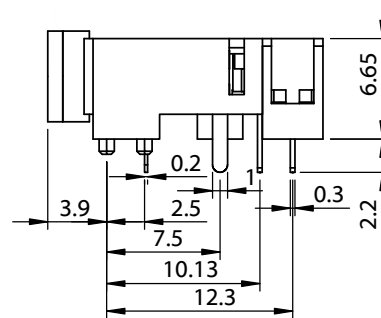
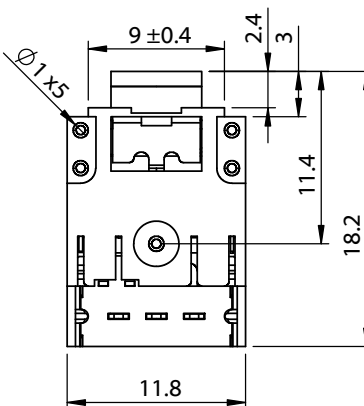
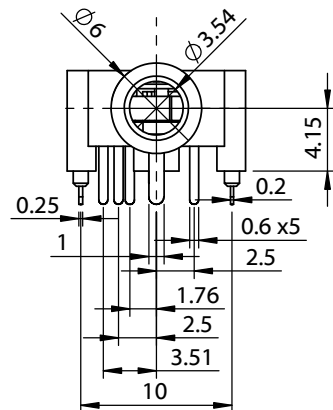
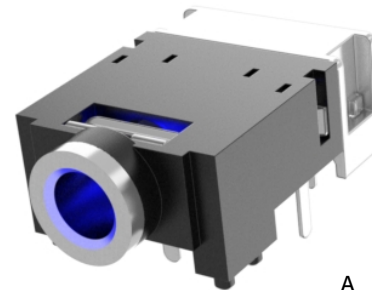
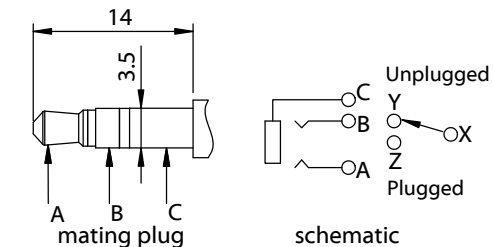
Dielectric strength: 1 min @ 500 Vac
 Insulation resistance: 100 MΩ @ 500 Vdc
 Contact resistance: 30 mΩ or less

Mechanical Requirements

Insertion force: 0.4-3.0 kgf
 Withdrawal force: 0.4-3.0 kgf
 Life cycle: 5000 mating cycles while maintaining 0.4 kgf min. insertion force, 0.4 kgf min. withdrawal force.

Soldering

Solderability: 75% minimum coverage when terminals dipped 2mm in 245 ±5 °C solder bath for 3 ±0.5 seconds
 Solder bath durability: no deformation when immersed in 255 ±5 °C up to surface of the board 1.6 mm for 5 seconds or less
 Solder iron durability: no deformation when exposed to 300 ±10 °C for 3 ±0.5 seconds



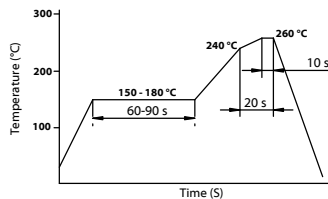
SECTION A-A
 SCALE 2:1

Reflow Soldering Temperature Profile

Pb - Free Flow Profile

Solder conditions vary depending on reflow soldering equipment.

The surface temperature of the jack must not exceed 260 °C.



Revision:	Date:	Description:
A	5/10/22	Initial release

Prepared:

 Verified:

 Dimensions are in millimeters.
 Tolerances:
 X: ± 0.38 mm
 X.X: ± 0.25 mm
 X.XX: ± 0.15 mm

Notes:
 RoHS compliant

 Function test: no open, no short circuit, no intermittent

 Description:
 Connector, 3C audio jack with blue LED, 3.5xL18 mm, thru hole, silver plated

TENSILITY

tel 1.541.323.3228 800 877.670.7118
 fax 1.541.323.4202 web tensility.com

Size: A Part number: 54-00307
 Scale: 2:1 Sheet 1 of 2

