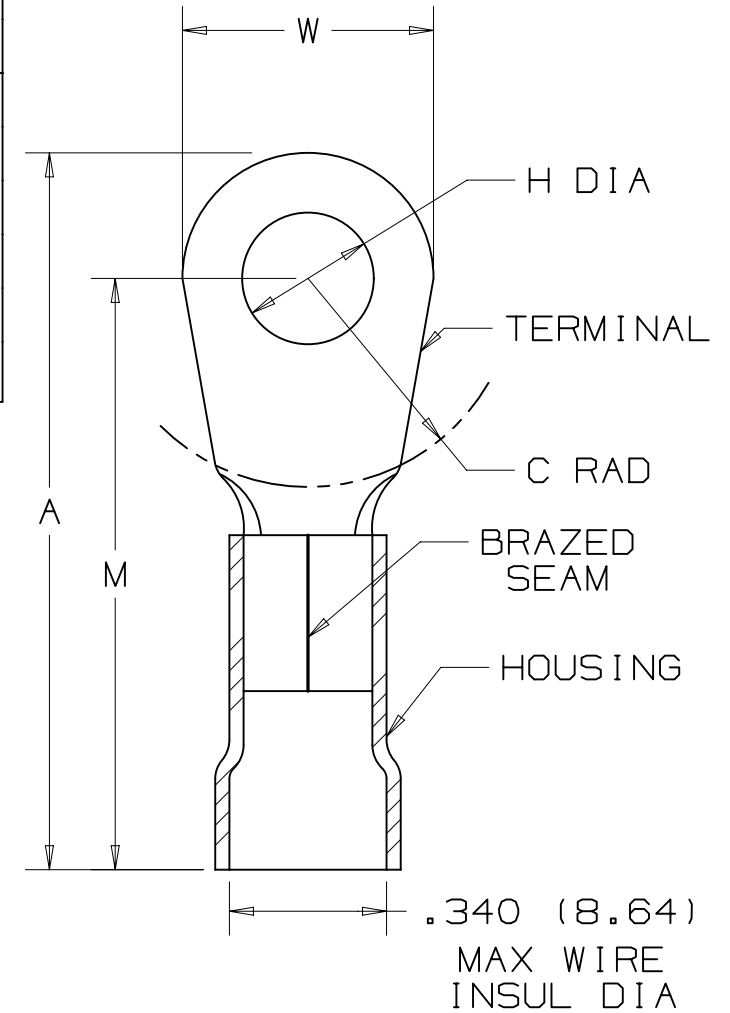


THIS COPY IS PROVIDED ON A RESTRICTED BASIS AND IS NOT TO BE USED IN ANY WAY DETRIMENTAL TO THE INTERESTS OF PANDUIT CORP.

PANDUIT PART NUMBER	STUD SIZE	DIMENSIONS - in.					TOOLS
		A ± .03	W ± .01	C ± .02	M ± .03	H ± .01	
PV6-8R	#8	1.61 (40.89)	.47 (11.94)	.43 (10.92)	1.38 (35.05)	.18 (4.57)	CT-720 (CD-720PV8-2) CT-2600 (CD-2600-PV6)
PV6-10R	#10	1.62 (41.15)	.47 (11.94)	.43 (10.92)	1.38 (35.05)	.20 (5.08)	
PV6-14R	1/4"	1.65 (41.91)	.47 (11.94)	.48 (12.19)	1.38 (35.05)	.27 (6.86)	
PV6-56R	5/16"	1.74 (44.20)	.62 (15.75)	.53 (13.46)	1.44 (36.58)	.33 (8.38)	
PV6-38R	3/8"	1.74 (44.20)	.62 (15.75)	.51 (12.95)	1.44 (36.58)	.40 (10.16)	
PV6-12R	1/2"	1.84 (46.74)	.82 (20.83)	.51 (12.95)	1.44 (36.58)	.52 (13.21)	



NOTES:

- 1. cULus LISTED FOR:
 - A. 600V MAX VOLTAGE RATING
 - B. 221° F (105° C) MAX TEMP RATING
 - C. #6 AWG STRANDED COPPER WIRE
- 2. SEE WWW.PANDUIT.COM FOR PACKAGE QUANTITIES
- 3. MATERIAL:
 - A. STAMPING - .045" (1.14) THK, COPPER
TIN PLATED
 - B. HOUSING - VINYL, BLUE
- 4. DIMENSIONS IN BRACKETS ARE IN MILLIMETERS
- 5. WIRE STRIP LENGTH: 7/16 + 1/32 (11.1 + .8)
 - 0 - 0



07	06/14	MBY	JHNU	RGB	REVISED UL LOGO TO cULus LOGO, REVISED NOTES, MOVED TOOLS TO TABLE, UPDATED BORDER	N41218BB-A41218
REV	DATE	BY	CHK	APR	DESCRIPTION	ECN

TITLE #6 BARREL VINYL INSULATED RING TONGUE .340 [8.64] MAX. WIRE INSUL. DIAMETER CUSTOMER DRAWING		
ITEM REVISION NAME	N41218BB/07	
DATASET FILE NAME	N41218BB/07	
UNLESS OTHERWISE SPECIFIED, DIMENSIONAL TOLERANCES ARE: IN [mm]	MATERIAL: SEE NOTE 3	
.X ± .XX ±	.XXX ± ANGLES ±	DRAWING NUMBER: A41218
THIRD ANGLE PROJECTION	SCALE NONE	SHT 1 OF 1
DRAWN BY DAW	DATE	SIZE A

D10100DA/16