

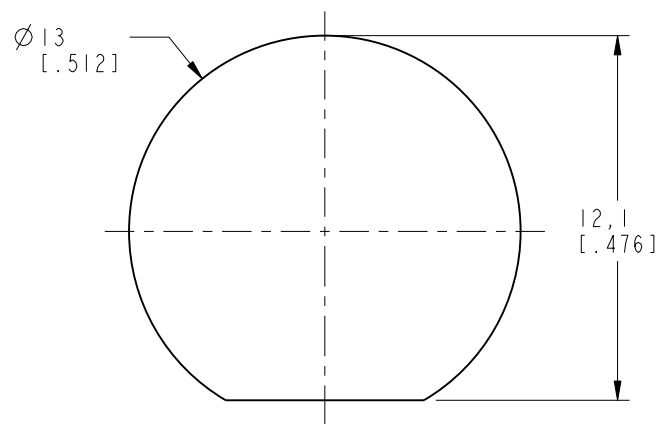
NOTES:

1. MATERIALS AND FINISHES:
 BODY, HOUSING, LOCK WASHER & HEX NUT - BRASS, NICKEL PLATING
 BODY-REAR - BRASS, GOLD PLATING
 CONTACT - PHOSPHOR BRONZE, GOLD PLATING
 GASKETS - SILICONE RUBBER, RED
 INSULATOR - PTFE, NATURAL
2. ELECTRICAL:
 A. IMPEDANCE: 50 OHMS
 B. FREQUENCY RANGE: DC - 11 GHz
 C. DIELECTRIC WITHSTANDING VOLTAGE: 1500 VRMS, MIN.
3. MECHANICAL:
 A. DURABILITY: 500 CYCLES MIN.
 B. TEMPERATURE RANGE: -65°C TO +165°C
4. CRIMPED CONTACT PIN HEX. CRIMP SIZE .068" OR SOLDER
5. MAX. PANEL THICKNESS = 3.50 [.138]
6. SHOWS CABLE ENTRY DIMENSIONS.
7. PACKAGING:
 A. QUANTITY: SINGLE PACK
 B. BAG TO BE MARKED: AMPHENOL RF
 122400
 DATE CODE

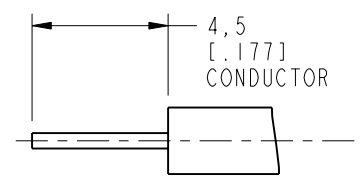
THIRD ANGLE PROJ.

REVISIONS

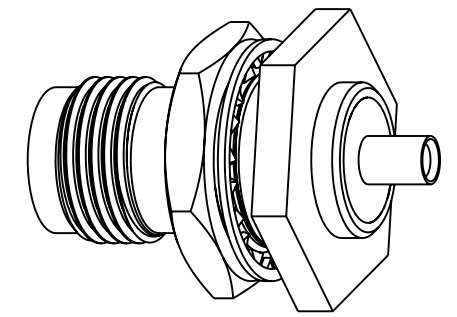
REV	DESCRIPTION	DATE	ECN	APPR
A	UPDATE DRAWING FORMAT	05-Apr-03	-----	GRS
B	SYNC, REMOVED "CONNEX" STAMP	28-Aug-18	-----	MZ



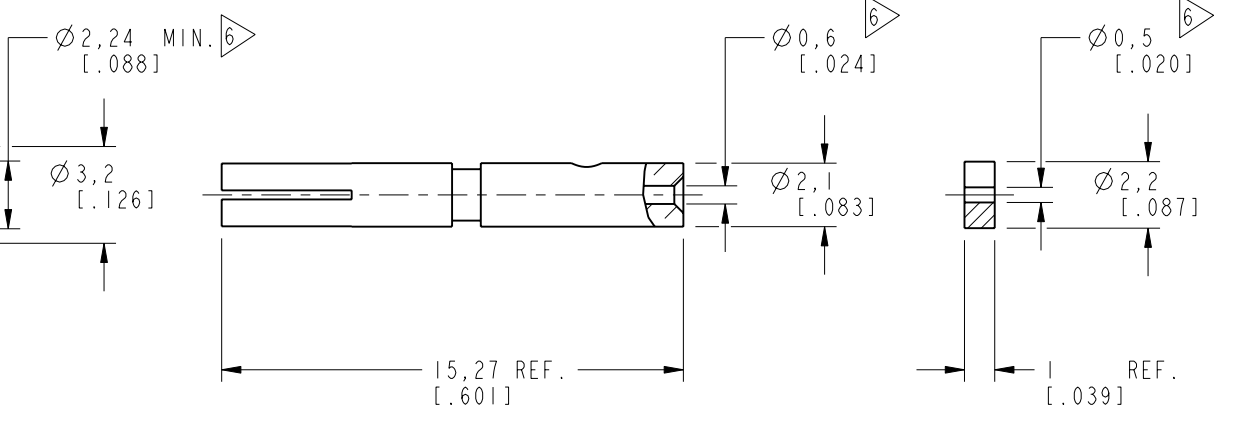
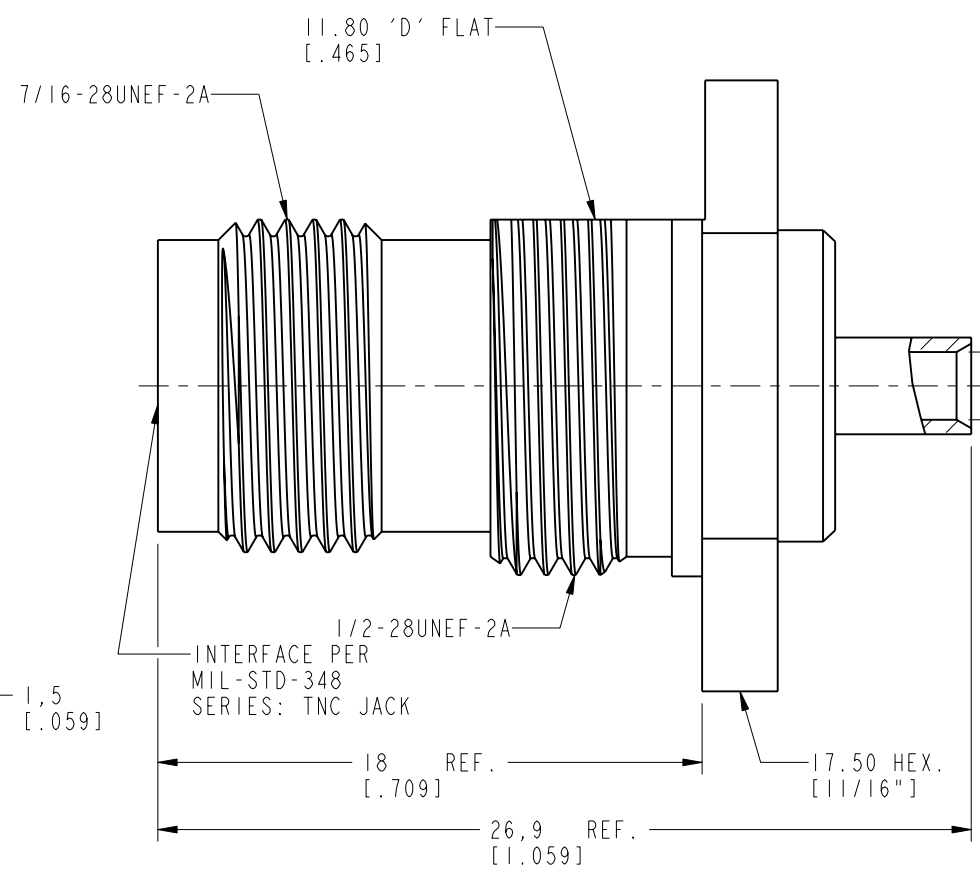
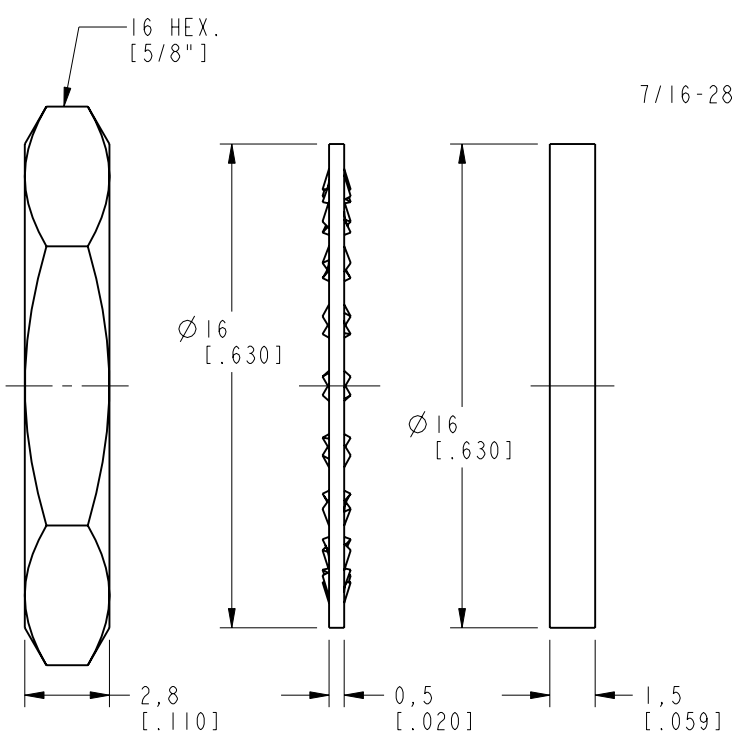
RECOMMENDED MOUNTING HOLE



RECOMMENDED CABLE STRIPPING DIM'S



SCALE 2.000



CUSTOMER OUTLINE DRAWING
 ALL OTHER SHEETS ARE FOR INTERNAL USE ONLY

UNLESS OTHERWISE SPECIFIED, DIMENSIONS ARE IN METRIC AND TOLERANCES ARE:
 <0.5mm ±0.05mm 0.5 - 6mm ±0.1mm 6 - 30mm ±0.2mm 30 - 120mm ±0.3mm ANGLES ±1°

NOTICE - These drawings, specifications, or other data (1) are, and remain the property of Amphenol corp. (2) must be returned upon request; and (3) are confidential and not to be disclosed to any person other than those to whom they are given by Amphenol Corp. the furnishing of these drawings, specifications, or other data by Amphenol Corp., or to any other person to anyone for any purpose is not to be regarded by implication or otherwise in any manner licensing, granting rights to permitting such holder or any other person to manufacture, use or sell any product, process or design, patented or otherwise, that may in any way be related to or disclosed by said drawings, specifications, or other data.

MATERIAL	SEE NOTES
REFERENCE	
EAR#	
REF:	
CONFIGURATION LEVEL:	
FINISH	

DRAWN	M. ZHANG	DATE	28-Aug-18
ENGINEER	F. SHEN	DATE	03-Apr-01
APPROVED	S. HSIEH	DATE	28-Aug-18
CAD FILE			

TITLE	
TNC BULKHEAD DIRECT SOLDER JACK (FOR .085", .086" CABLE)	
SCALE: 4.0:1.0	SHEET 3 OF 3
DWG SIZE	REV
B	B

Amphenol RF	
www.amphenolrf.com	
DRAWING NO. T6481A1-N/3GT3G-.085-50	
ITEM NO. 026481AAB45NF5F	
PART NO. 122400	