



MS66 Series

Ø66mm LED Multi Function Signal Lights

- Steady/Flashing type, Rotating type
- Rotating speed is adjustable
- Direct or Pole Mounting



Specifications

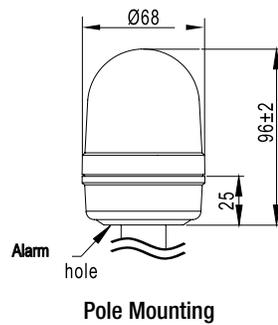
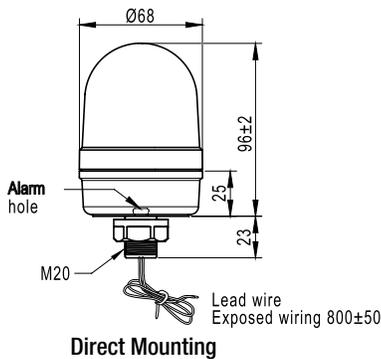
Functions		Steady + Flashing + Buzzer, Rotating + Buzzer	
Power Supply		12~24VAC	110~220VAC
Current Consumption	Steady & Flashing	General	0.30A
		w/buzzer	0.32A
	Rotating	General	0.20A
		w/buzzer	0.22A
Flashing Rate	General type	80 ±5 times/min	
	Optional (V) type	240 ±5 times/min	
Rotating Speed		60~300 RPM (Clockwise rotation)	
Alarm sound level		80±5dB (Alternating Buzzer: pi- pi- pi)	
Wiring method		Lead wire connection	
Ambient Temperature		-20~40°C	
Storage Temperature		-20~70°C	
Ambient Humidity		45~85% RH	
Insulation resistance		100MΩ min. at 500VDC	
Certificate/Compliance		CE, RoSH	
Vibration resistance		0.75mm at 10~55Hz	
Recommended Wire Size		UL1007 / 22AWG	
Degree of protection		IP65 (Audible alarm type: IP52)	
Weight (AC + Buzzer type)		MS66M - 168g, MS66G - 180g, MS66P - 168g	

Ordering Information

MS66 - M - B 00 - R (V)
 ① ② ③ ④ ⑤

① Mounting Option	M	Body direct mount - Plastic M20 Screw
	P	Pole Mounting
	G	Plastic mount base
② Light Style	F	LED Steady + Flashing
	B	LED Steady + Flashing + Audible Alarm
	R	LED Rotating
③ Power Supply	00	12 ~ 24VAC/DC
	FF	110 ~ 220VAC(50/60Hz)
④ Lens Color	R	Red
	Y	Yellow
	G	Green
	B	Blue
	C	Clear
⑤ Optional	(V)	Flashing Emergency Signal (*Flashing rate: 240±5 times/min)

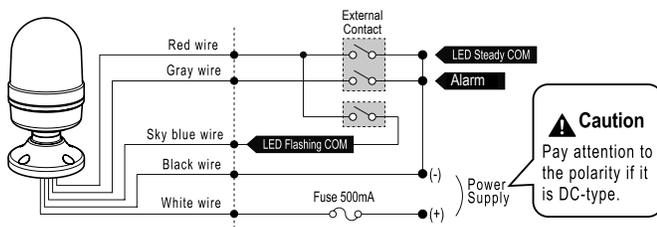
Dimensions



unit: mm

See page 19 - 21 for mounting options and accessories

12~24VAC/DC Steady + Flashing (Alarm)



110~220VAC Steady + Flashing (Alarm)

