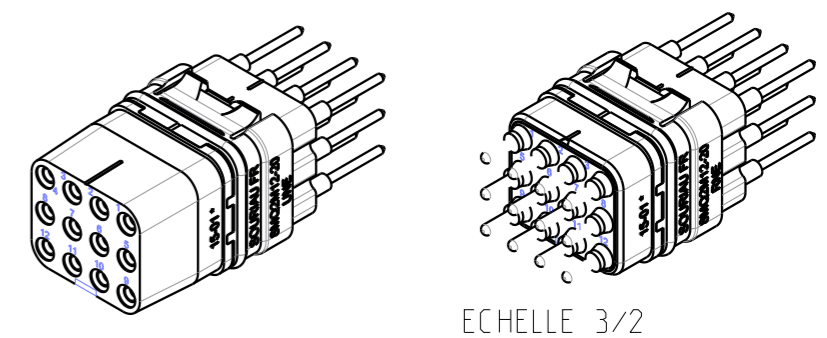
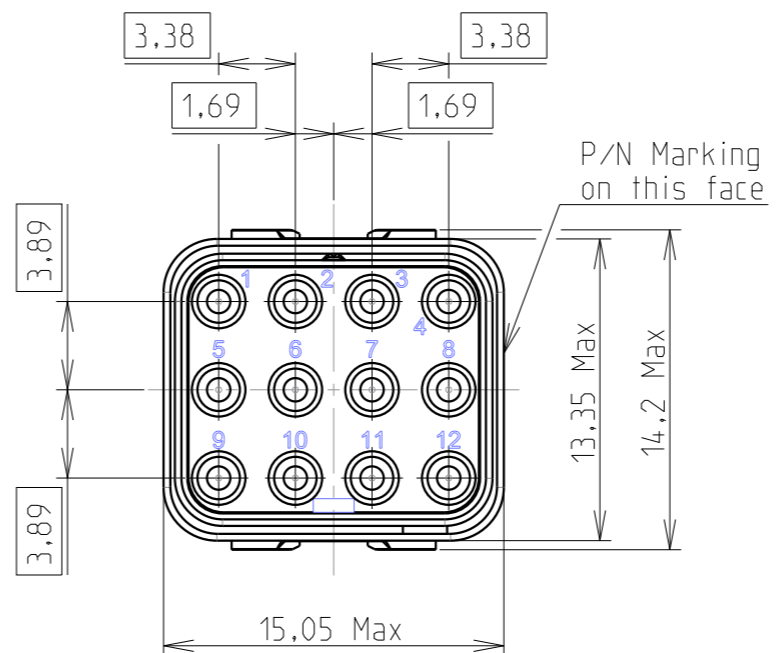
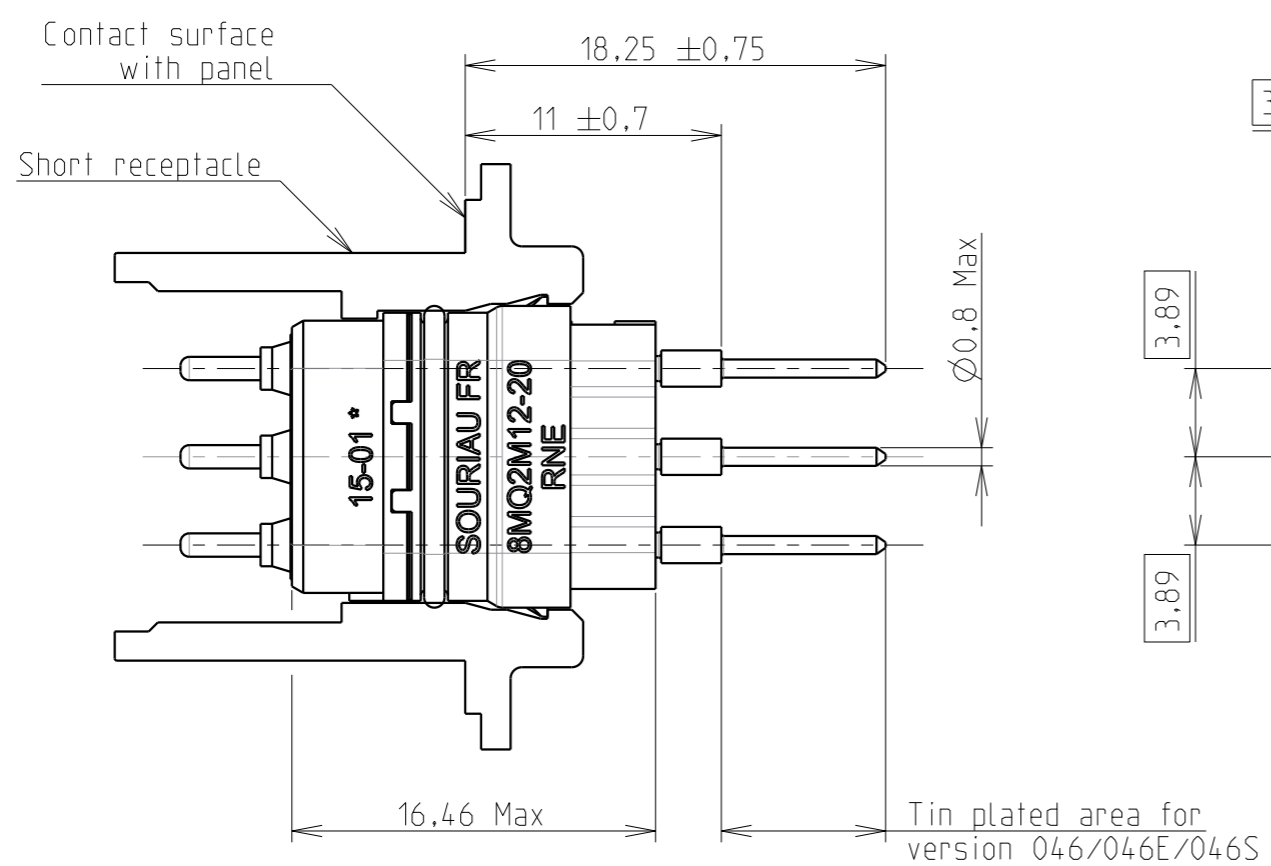


C.2: Validé

MASS ± 5% (g)	
Male module	6,75
Female module	8,4

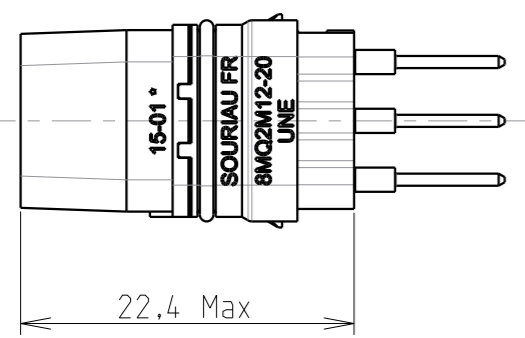


ECHELLE 3/2

ECHELLE 3/2

Technical requirements	
1-	According to EN4165
2-	Voltage proof test (Sea level) : - #20 > 1500 V r.m.s.
3-	Insulation resistance > 5000 MΩ
4-	Climatic sequence : -55 °C / +175 °C
5-	Fluid resistance : See standard EN 4165-001 (table 40)
6-	Contact retention in insert : - #20 = 67 N
7-	Materials : Thermoplastic and silicone
8-	Delivered with protection cap

Female module dimension



(other dimensions are available for male and female module)

BASIC SERIE	8MQ	2	M	12-20	R	N	E	S	-
2 = Serie 2		M = Module		Layout					
Dash = No grounding									
R = Male module delivered with contacts									
U = Female module delivered with contacts									
N, A, B, C, D = polarization									
None = Without peripheral sealing									
E = With peripheral sealing									
S = Delivered with protection cap									
None = Pin contact : Gold plated, 0,8 μm mini									
046 = Pin contact : Tin plated over gold - SnPb									
046E = Pin contact : Tin plated over gold - Sn100									
046S = Pin contact : Tin plated over gold - SAC305									

SOURIAU shall not be liable for any non-conformity or damage due to a use of the Products which does not comply with the Specifications issued by either of the Parties or by a third party (professional recommendation, technical notice.)

Country	Jurisdiction & Control List
FR	NOT LISTED

P/N : SEE TABLE

ISS	04/10/18	Update of contact position	23536BH
DATE	---	Latest modification - by: H.SIMIER	MOD N°
Designed by:	N.AUFFRET	Date:30/03/17	CUSTOMER DRAWING
TITLE	MODULES WITH STRAIGHT PCB CONTACTS - LAYOUT 12-20 GAMME 8MQ		
Scale	3/1	General linear Tolerances: ± --	NPRDS / PROJECT BE164803A
FORMAT	A3	SOURIAU DRG N° C009-8MQ-A	
SHEET		1 / 1	



WWW.SOURIAU.COM

This document is the property of SOURIAU. It must not be reproduced or communicated without permission.