

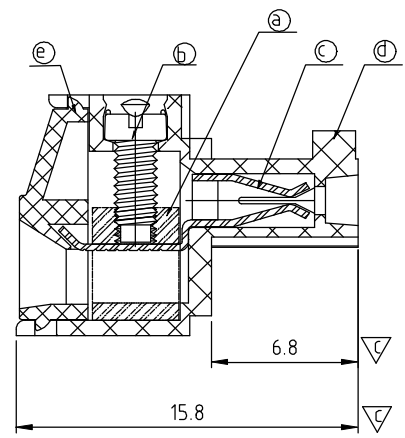
**TJ xx 11 x 3 xxxx G**

02 2 CONTACTS  
 03 3 CONTACTS  
 ... ..  
 24 24 CONTACTS

Color  
 0 Black (RAL9005)  
 2 Red (RAL3001/D)  
 3 Orange (RAL2011/P)  
 4 Yellow (RAL1018/A)  
 5 Green (RAL6018/T)  
 6 Blue (RAL5015/A)  
 8 Grey (RAL7035/D)  
 9 White (RAL1102)  
 C Green (RAL6018/U)

G RoHS compliant (lead<4%) In copper Alloy

0000 Standard @ Logo  
 000A Standard ANY Logo  
 0091 Standard ANY Logo  
 Any special item by customer request, please contact sales department.



N = Number of poles  
 Dim A = N x 3.5  
 Dim B = (N-1) x 3.5

| Poles   | Dim A | Dim B |
|---------|-------|-------|
| 2p-6p   | ±0.15 | ±0.15 |
| 7p-12p  | ±0.20 | ±0.20 |
| 13p-18p | ±0.25 | ±0.25 |
| 19p-24p | ±0.30 | ±0.30 |

| SIGN | DATE     | DESCRIPTION   | APPROVER |
|------|----------|---|----------|
| △    | 11/01'05 | Electrical standard changed.                                | Marvin   |
| △    | 04/20'06 | 2p to 6p with wedge is changed.                             | Marvin   |
| △    | 8/13'06  | Added VDE standard  | 梁仁松      |
| △    | 10/30'06 | Part No. is changed   | Marvin   |
| △    | 07/09'10 | The solid and Stranded wire are changed from 16-26 to 16-28 | Chen Bo  |
| △    | 07/09'10 | Rmrove the CSA mark   | Chen Bo  |
| △    | 08/12'13 | update the drawing  | Chen Bo  |

THIS IS CAD DRAWING, DO NOT REVISE MANUALLY!!!

**Material**

- Item a Clamp: Brass (CuZn) Ni plated
- Item b Terminal screw: Steel Zinc plating "-" slot type
- Item c Female contact: PhBz, Tin plated
- Item d Terminal (housing): PA66 (UL94V-0)
- Item e Terminal cover: PA66 (UL94V-0)

**△ △ △ Electrical cULus/VDE**

- Voltage rating: 300VAC/300VAC
- Current rating: 10A/10.5A
- Wire range: 1.5mm<sup>2</sup>
- Solid wire (AWG): 16-28
- Stranded wire (AWG): 16-28
- Torque: 3Lb-In/0.2Nm
- Screw: M2
- Wire strip length: 6-7mm
- Withstanding Voltage: 1.6KV/2.5KV
- Operating temperature: -40°C to +115°C
- Safety Approval: cULus VDE
- Critical dimension:

|               |  |                        |  |                      |  |             |  |
|---------------|--|------------------------|--|----------------------|--|-------------|--|
| <b>ANYTEK</b> |  |                        |  | <b>CUSTOMER COPY</b> |  |             |  |
|               |  |                        |  |                      |  |             |  |
| TITLE         |  | TJ-3.5mm Series 2p-24p |  | DWG NO.              |  | 8TJ0501     |  |
| PART NO.      |  | TJxx11x3xxxxG          |  | CUST NO.             |  |             |  |
| APPROVED      |  | DESIGNED               |  | DRAWN                |  | Tolerance   |  |
|               |  | Chen Bo<br>08/12'13    |  | Chen Bo<br>08/12'13  |  | X. ±0.50    |  |
|               |  |                        |  |                      |  | X.X ±0.30   |  |
|               |  |                        |  |                      |  | X.XX ±0.10  |  |
|               |  |                        |  |                      |  | X° ±1°      |  |
|               |  |                        |  | SHEET: 01/01         |  | UNIT: mm    |  |
|               |  |                        |  |                      |  | SCALE: NONE |  |
|               |  |                        |  |                      |  | REV.: H     |  |