

NOTES, UNLESS OTHERWISE SPECIFIED:

The Panduit PBDCT Bench-Mount Duct Cutting Tool features:

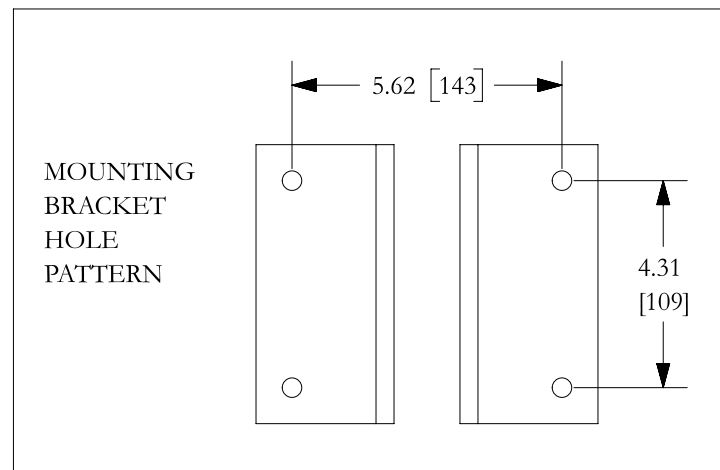
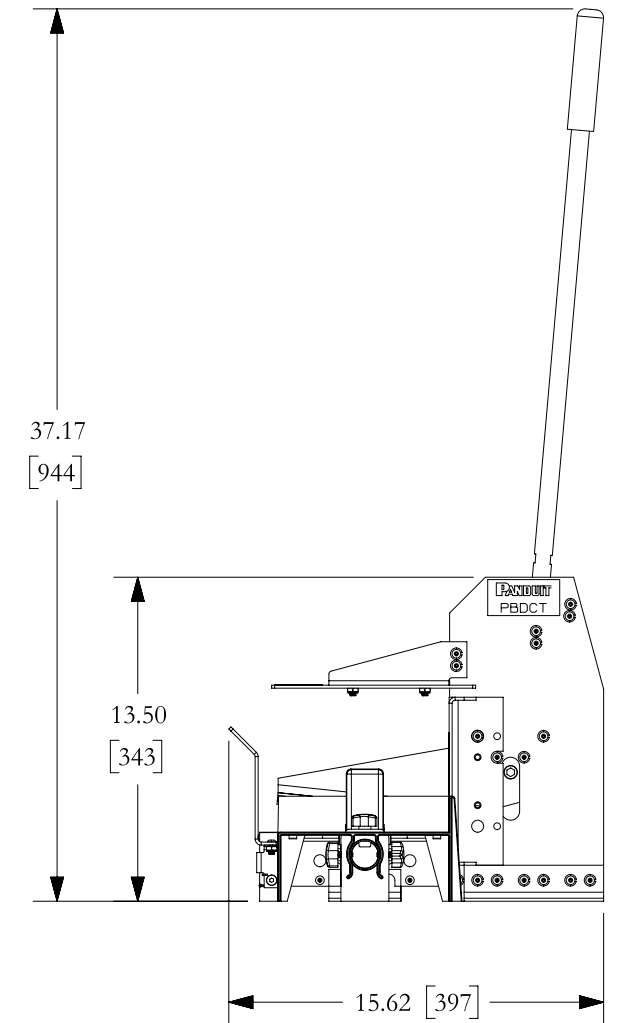
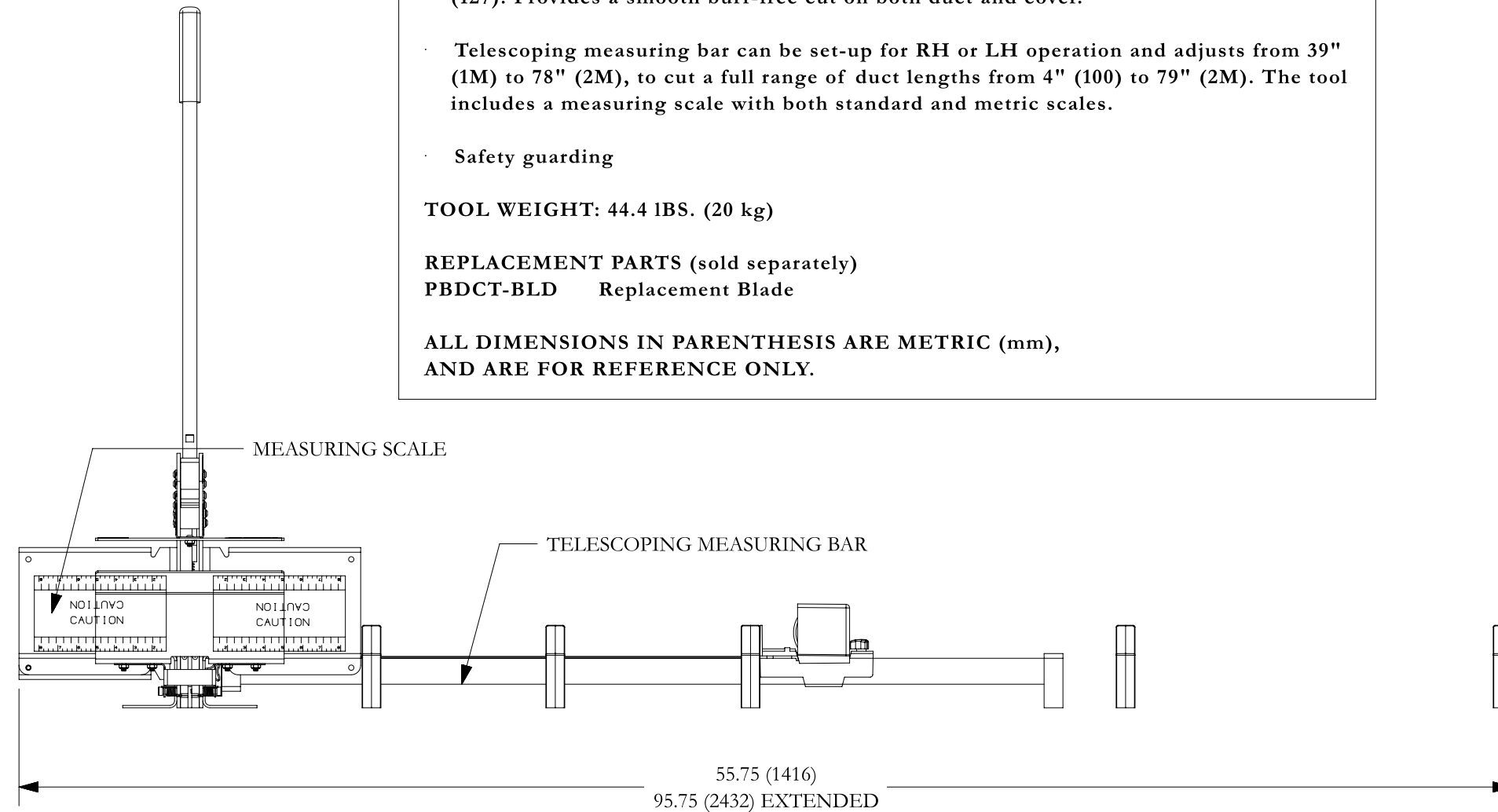
- Easily cuts any Panduct® slotted wiring duct & cover up to 6" wide (152), and 5" high (127). Provides a smooth burr-free cut on both duct and cover.
- Telescoping measuring bar can be set-up for RH or LH operation and adjusts from 39" (1M) to 78" (2M), to cut a full range of duct lengths from 4" (100) to 79" (2M). The tool includes a measuring scale with both standard and metric scales.
- Safety guarding

TOOL WEIGHT: 44.4 IBS. (20 kg)

REPLACEMENT PARTS (sold separately)

PBDCT-BLD Replacement Blade

ALL DIMENSIONS IN PARENTHESIS ARE METRIC (mm), AND ARE FOR REFERENCE ONLY.



REV	DATE	BY	CHK	APR	DESCRIPTION	ECN
02	07.11.16	BDK	MRJS	RGRO	B. FOR PREVIOUS REV REF: F:\wrkgrp\ENGR DOCS\CUSTOMER DRAWINGS\WD25752C01.01.doc A. DRAWING TRANSFERED TO CAD / TEAMCENTER	WD25752C01

TITLE BENCH TOP DUCT CUTTING TOOL PBDCT		CUSTOMER DRAWING	
ITEM REVISION NAME 00216NKF/00		PANDUIT	
DATASET FILE NAME 00216NKF-DC/02 PBDCT DUCT COVER			
UNLESS OTHERWISE SPECIFIED, DIMENSIONAL TOLERANCES ARE: IN [mm]		MATERIAL: NONE	
.X ±	.XXX ±	DRAWING NUMBER: WD25752C01	
.XX ±	ANGLES ±	THIRD ANGLE PROJECTION	
DRAWN BY BDK	DATE 07.11.16	CHK RGRO	SCALE NONE
SHT 1 OF 1		SIZE B	