

TPS75105EVM

This user's guide describes the characteristics, operation, and use of the TPS75105EVM-174 evaluation module (EVM). The EVM demonstrates the Texas Instruments TPS75105 low-dropout, two-bank LED driver with PWM brightness control. The document includes setup instructions, a schematic diagram, a bill of materials, and PCB layout drawings for the EVM.

Contents

1	Introduction	1
2	Setup	1
3	Board Layout	3
4	Schematic and Bill of Materials	6

List of Figures

1	Assembly Layer	4
2	Top Layer Routing	5
3	Bottom Layer Routing	6
4	TPS75105EVM-174 Schematic	7

List of Tables

1	TPS75105EVM-174 Bill of Materials	7
---	---	---

1 Introduction

The Texas Instruments TPS75105EVM-174 evaluation module (EVM) helps designers evaluate the operation and performance of the TPS75105 low-dropout linear regulator (LDO), two-bank LED driver with PWM dimming. The TPS75100 contains four, current-regulated, LED driver outputs and operates from a 2.7-V to 5.5-V input supply. The IC drives the anodes of two banks of two LEDs. Each bank is enabled independently and can be dimmed using a PWM signal to the EN pin. The LED current is programmed using a resistor from ISET to GND. The EVM has jumpers for both EN input pins for easy evaluation. The LDO topology and the 9-ball chip scale package provide a small-footprint solution for battery-powered LED driver applications.

2 Setup

This section describes the jumpers and connectors on the EVM as well as how to properly connect, set up, and use the TPS75105EVM-174.

2.1 Input/Output Connector Descriptions

2.1.1 J1 –VIN

This is the positive input voltage connection to the converter. The EVM operates from any supply voltage between 2.7 V and 5.5 V. The leads to the input supply should be twisted and kept as short as possible to minimize EMI transmission and input voltage droop.

Setup

2.1.2 J2 – GND

This is the input return connection for the input power supply.

2.1.3 JP1 – Bank-A Enable

JP1 is used to enable the bank-A LEDs. Place a shorting bar in the ON position to turn on the bank-A LEDs. When the bank-A LEDs are enabled, the LED current through LEDs D1A and D2A is regulated to the value programmed at ISET (5 mA). Place a shorting bar in the OFF position to turn off the bank-A LEDs.

2.1.4 JP2 – Bank-B Enable

JP2 is used to enable the bank-B LEDs. Place a shorting bar in the ON position to turn on the bank-B LEDs. When the bank-B LEDs are enabled, the LED current through LEDs D1B and D2B is regulated to the value programmed at ISET (5 mA). Place a shorting bar in the OFF position to turn off the bank-B LEDs.

2.1.5 JP3 – LED D1A Cathode Connection

JP3 is used to measure the current through LED D1A. Place a current meter between the pins of JP3 to measure the current. Alternatively, a resistor can be connected between the pins of JP3 in order to measure the current as a voltage. Place a shorting bar across the pins of JP3 if current measurement is not required. PCB pads are provided to install a current-sense resistor across this jumper.

2.1.6 JP4 – LED D2A Cathode Connection

JP4 is used to measure the current through LED D2A. Place a current meter between the pins of JP4 to measure the current. Alternatively, a resistor can be connected between the pins of JP4 in order to measure the current as a voltage. Place a shorting bar across the pins of JP4 if current measurement is not required. PCB pads are provided to install a current-sense resistor across this jumper.

2.1.7 JP5 – LED D2B Cathode Connection

JP5 is used to measure the current through LED D2B. Place a current meter between the pins of JP5 to measure the current. Alternatively, a resistor can be connected between the pins of JP5 in order to measure the current as a voltage. Place a shorting bar across the pins of JP5 if current measurement is not required. PCB pads are provided to install a current-sense resistor across this jumper.

2.1.8 JP6 – LED D1B Cathode Connection

JP6 is used to measure the current through LED D1B. Place a current meter between the pins of JP6 to measure the current. Alternatively, a resistor can be connected between the pins of JP6 in order to measure the current as a voltage. Place a shorting bar across the pins of JP6 if current measurement is not required. PCB pads are provided to install a current-sense resistor across this jumper.

2.2 Setup

2.2.1 EVM Factory Configuration

The EVM is configured to provide the following nominal operating conditions:

Input voltage: 2.5 V to 5.5 V

LED current: 5 mA

2.2.2 Changing LED Current

R1 on the EVM is used to change the current. The EVM is provided with no resistor installed on R1. This programs the default LED current of 5 mA. In order to program a different LED current, place a 1% resistor at R1 that corresponds to the following equation:

$$R1 = (1.22 \text{ V}/I_{\text{LED}}) \times 420$$

Note that I_{LED} is the LED current through each LED.

2.2.3 Using PWM Dimming

An easy dimming solution is implemented by connecting a PWM signal to ENA or ENB to dim the respective bank of LEDs. The PWM signal may be up to 1 kHz. The scale of the LED current corresponds directly to the duty cycle of the signal. For example, a 50% duty cycle provides 50% of the programmed LED current. The two banks may be independently dimmed.

2.2.4 Operation

1. Configure JP1 to enable or disable the bank-A LEDs as desired.
2. Configure JP2 to enable or disable the bank-B LEDs as desired.
3. Configure JP3–JP6 to measure LED current.
4. Connect the input voltage return to J2.
5. Connect the positive input voltage to J1.
6. Turn on input voltage.
7. The LEDs that were enabled by JP1 and JP2 are on.

3 Board Layout

This section provides the TPS75105EVM-174 board layout and illustrations.

3.1 Layout

Figure 1, Figure 2, and Figure 3 show the board layout for the TPS75105EVM-174 PWB.

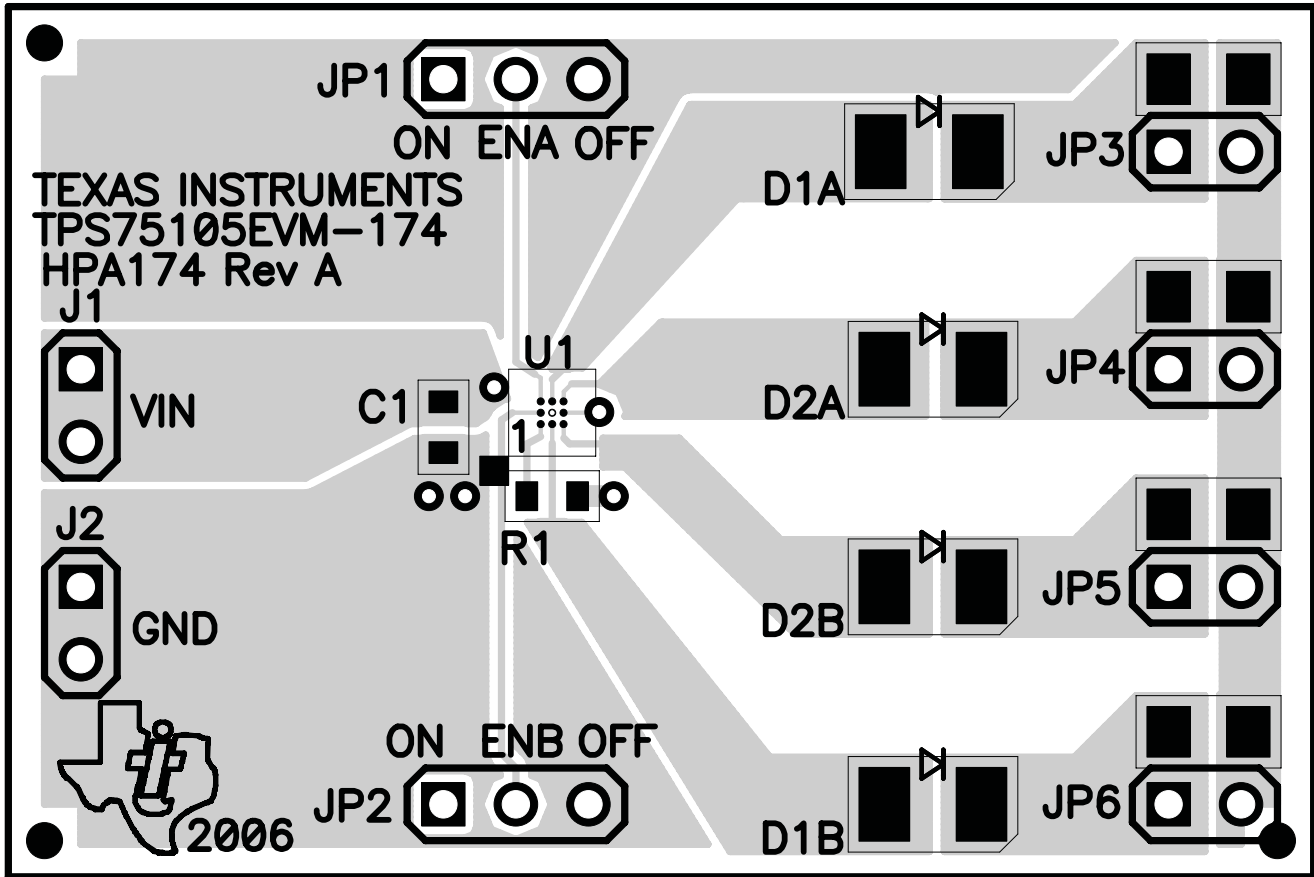


Figure 1. Assembly Layer

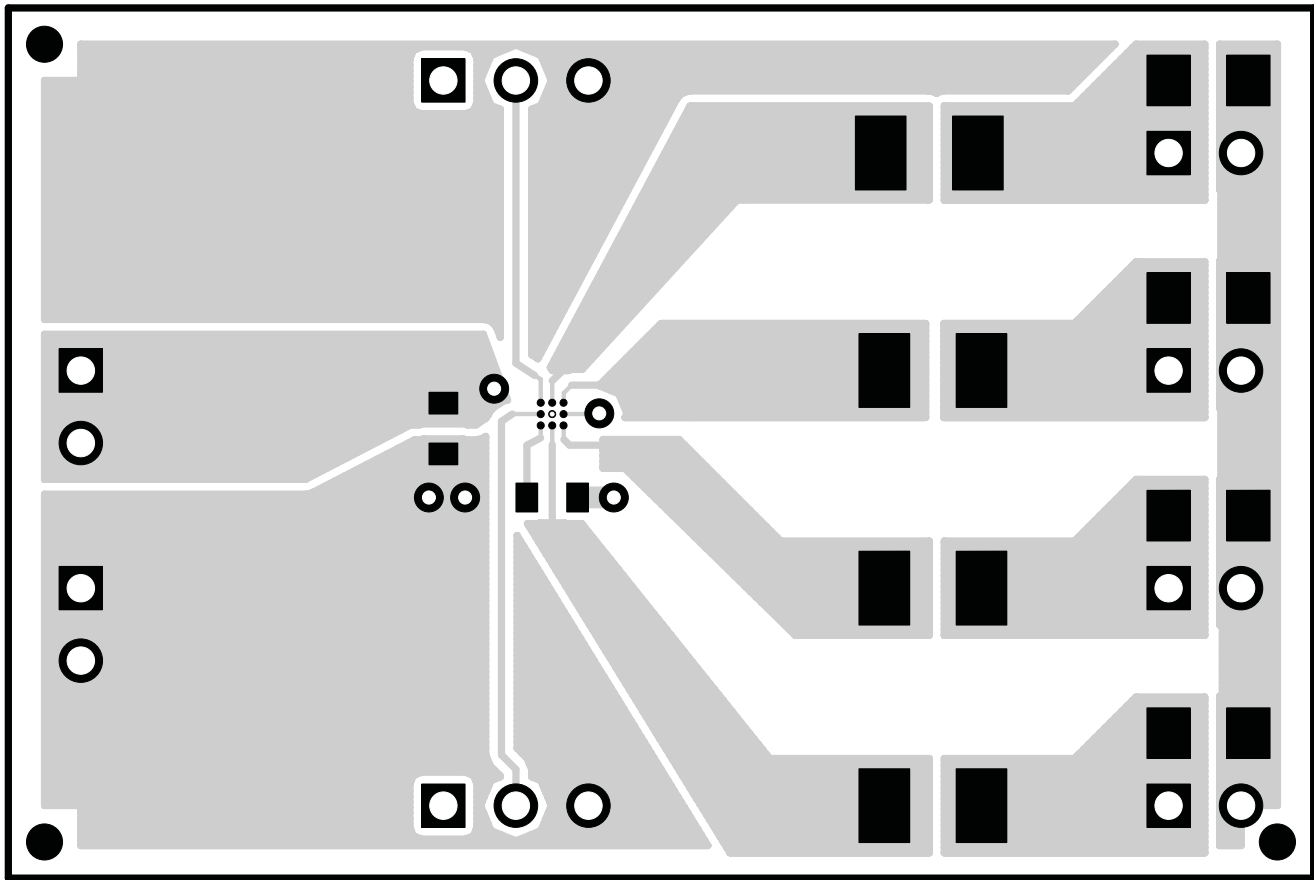


Figure 2. Top Layer Routing

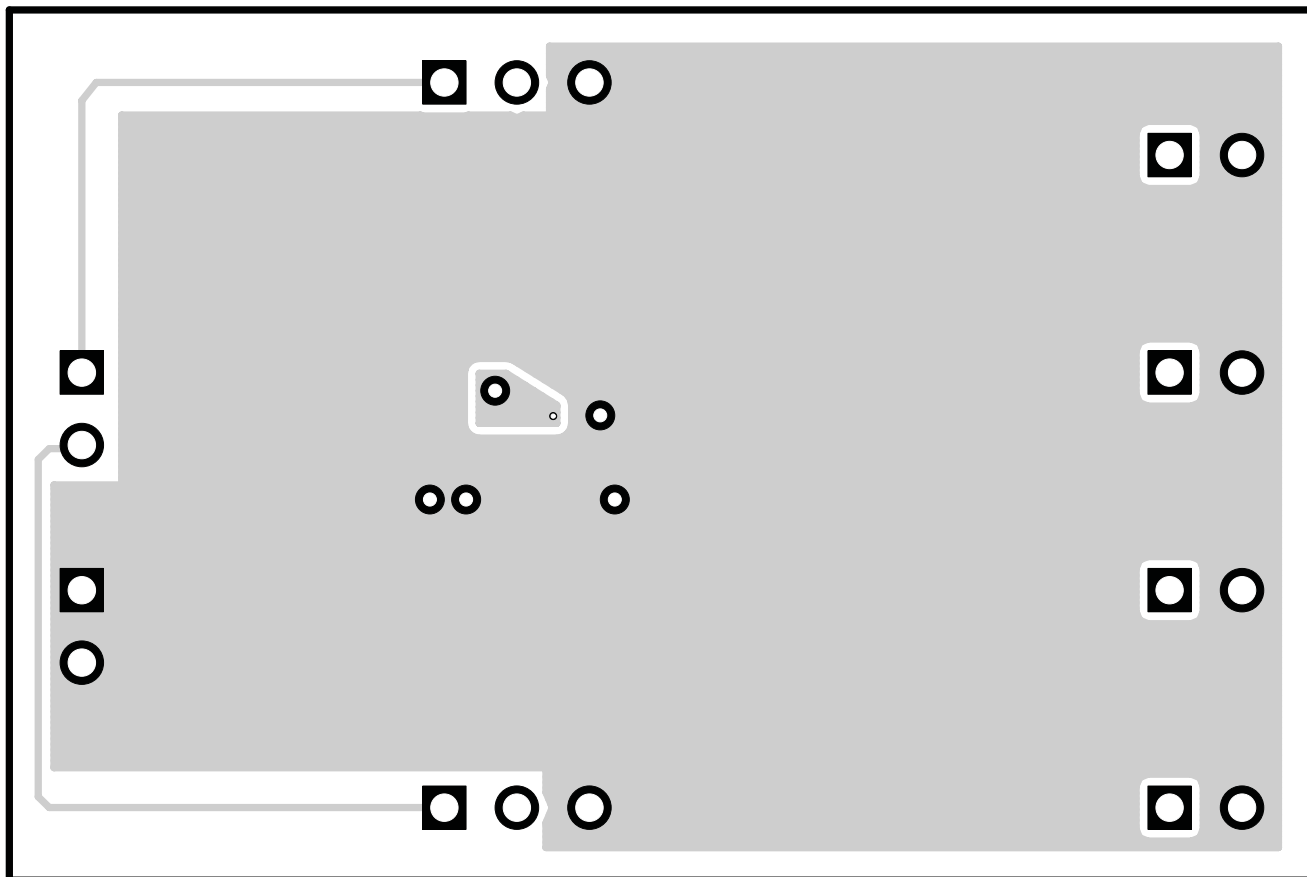


Figure 3. Bottom Layer Routing

4 Schematic and Bill of Materials

This section provides the TPS75105EVM-174 schematic and bill of materials.

4.1 Schematic

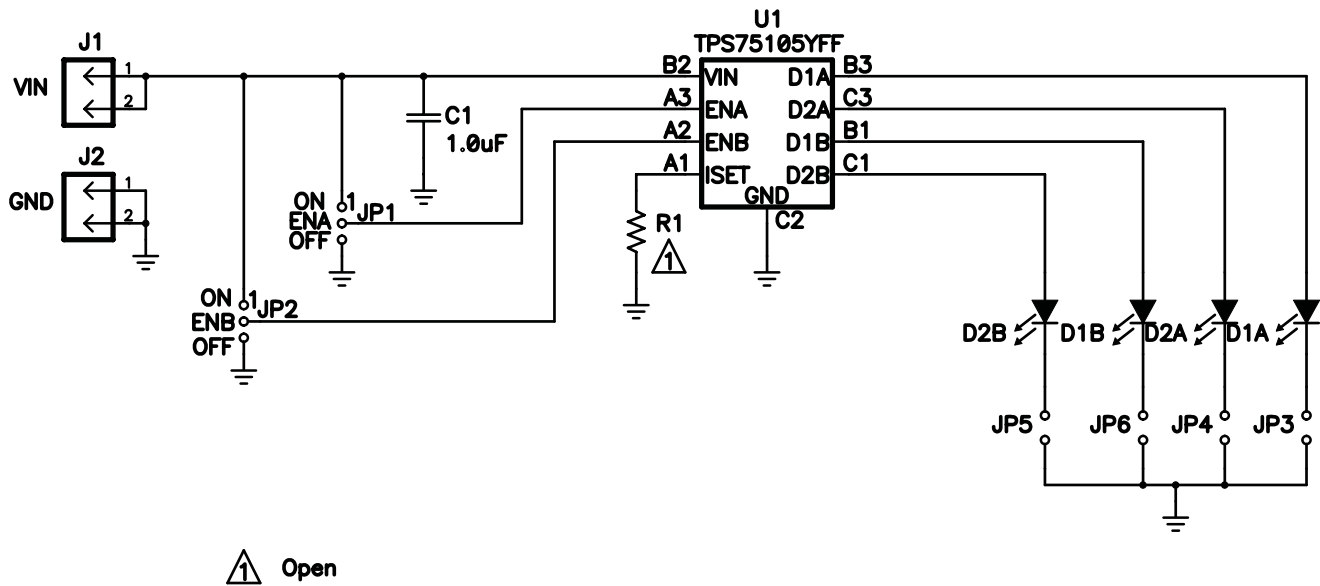


Figure 4. TPS75105EVM-174 Schematic

4.2 Bill of Materials

Table 1. TPS75105EVM-174 Bill of Materials

Count	Ref Des	Value	Description	Size	Part Number	MFR
1	C1	1.0 µF	Capacitor, Ceramic, 16V, X5R, 10%	0603	C1608X5R1C105K	TDK
4	D1A, D1B, D2A, D2B		Diode, LED, White, 30 mA	1210	SML-LX2832UWC-TR	Lumex
2	J1, J2		Header, 2 pin, 100 mil spacing, (36-pin strip)	0.100 × 2	PTC36SAAN	Sullins
2	JP1, JP2		Header, 3 pin, 100 mil spacing, (36-pin strip)	0.100 × 3	PTC36SAAN	Sullins
4	JP3–JP6		Header, 2 pin, 100 mil spacing, (36-pin strip)	0.100 × 2	PTC36SAAN	Sullins
0	R1	Open	Resistor, Cip, 1/16W, 1%	0603		
1	U1		IC, LDO, Two Bank LED Driver 1/PWM Brightness Control	WCSP-0	TPS75105YFF	TI
1	—		PCB, 1.8 In × 1.2 In × 0.062 In		HPA174	Any
6	—		Shunt, 100 mil, Black	0.100	929950-00	3M

4.3 Related Documentation From Texas Instruments

TPS7510x, Low Dropout, Two-Bank LED Driver with PWM Brightness Control data sheet ([SBVS080](#))

4.4 If You Need Assistance

Contact your local TI sales representative.

EVALUATION BOARD/KIT IMPORTANT NOTICE

Texas Instruments (TI) provides the enclosed product(s) under the following conditions:

This evaluation board/kit is intended for use for **ENGINEERING DEVELOPMENT, DEMONSTRATION, OR EVALUATION PURPOSES ONLY** and is not considered by TI to be a finished end-product fit for general consumer use. Persons handling the product(s) must have electronics training and observe good engineering practice standards. As such, the goods being provided are not intended to be complete in terms of required design-, marketing-, and/or manufacturing-related protective considerations, including product safety and environmental measures typically found in end products that incorporate such semiconductor components or circuit boards. This evaluation board/kit does not fall within the scope of the European Union directives regarding electromagnetic compatibility, restricted substances (RoHS), recycling (WEEE), FCC, CE or UL, and therefore may not meet the technical requirements of these directives or other related directives.

Should this evaluation board/kit not meet the specifications indicated in the User's Guide, the board/kit may be returned within 30 days from the date of delivery for a full refund. **THE FOREGOING WARRANTY IS THE EXCLUSIVE WARRANTY MADE BY SELLER TO BUYER AND IS IN LIEU OF ALL OTHER WARRANTIES, EXPRESSED, IMPLIED, OR STATUTORY, INCLUDING ANY WARRANTY OF MERCHANTABILITY OR FITNESS FOR ANY PARTICULAR PURPOSE.**

The user assumes all responsibility and liability for proper and safe handling of the goods. Further, the user indemnifies TI from all claims arising from the handling or use of the goods. Due to the open construction of the product, it is the user's responsibility to take any and all appropriate precautions with regard to electrostatic discharge.

EXCEPT TO THE EXTENT OF THE INDEMNITY SET FORTH ABOVE, NEITHER PARTY SHALL BE LIABLE TO THE OTHER FOR ANY INDIRECT, SPECIAL, INCIDENTAL, OR CONSEQUENTIAL DAMAGES.

TI currently deals with a variety of customers for products, and therefore our arrangement with the user **is not exclusive.**

TI assumes **no liability for applications assistance, customer product design, software performance, or infringement of patents or services described herein.**

Please read the User's Guide and, specifically, the Warnings and Restrictions notice in the User's Guide prior to handling the product. This notice contains important safety information about temperatures and voltages. For additional information on TI's environmental and/or safety programs, please contact the TI application engineer or visit www.ti.com/esh.

No license is granted under any patent right or other intellectual property right of TI covering or relating to any machine, process, or combination in which such TI products or services might be or are used.

FCC Warning

This evaluation board/kit is intended for use for **ENGINEERING DEVELOPMENT, DEMONSTRATION, OR EVALUATION PURPOSES ONLY** and is not considered by TI to be a finished end-product fit for general consumer use. It generates, uses, and can radiate radio frequency energy and has not been tested for compliance with the limits of computing devices pursuant to part 15 of FCC rules, which are designed to provide reasonable protection against radio frequency interference. Operation of this equipment in other environments may cause interference with radio communications, in which case the user at his own expense will be required to take whatever measures may be required to correct this interference.

EVM WARNINGS AND RESTRICTIONS

It is important to operate this EVM within the input voltage range of 2.7 V to 5.5 V.

Exceeding the specified input range may cause unexpected operation and/or irreversible damage to the EVM. If there are questions concerning the input range, please contact a TI field representative prior to connecting the input power.

Applying loads outside of the specified output range may result in unintended operation and/or possible permanent damage to the EVM. Please consult the EVM User's Guide prior to connecting any load to the EVM output. If there is uncertainty as to the load specification, please contact a TI field representative.

During normal operation, some circuit components may have case temperatures greater than 85°C. The EVM is designed to operate properly with certain components above 60°C as long as the input and output ranges are maintained. These components include but are not limited to linear regulators, switching transistors, pass transistors, and current sense resistors. These types of devices can be identified using the EVM schematic located in the EVM User's Guide. When placing measurement probes near these devices during operation, please be aware that these devices may be very warm to the touch.

Mailing Address: Texas Instruments, Post Office Box 655303, Dallas, Texas 75265
Copyright © 2006, Texas Instruments Incorporated

IMPORTANT NOTICE

Texas Instruments Incorporated and its subsidiaries (TI) reserve the right to make corrections, modifications, enhancements, improvements, and other changes to its products and services at any time and to discontinue any product or service without notice. Customers should obtain the latest relevant information before placing orders and should verify that such information is current and complete. All products are sold subject to TI's terms and conditions of sale supplied at the time of order acknowledgment.

TI warrants performance of its hardware products to the specifications applicable at the time of sale in accordance with TI's standard warranty. Testing and other quality control techniques are used to the extent TI deems necessary to support this warranty. Except where mandated by government requirements, testing of all parameters of each product is not necessarily performed.

TI assumes no liability for applications assistance or customer product design. Customers are responsible for their products and applications using TI components. To minimize the risks associated with customer products and applications, customers should provide adequate design and operating safeguards.

TI does not warrant or represent that any license, either express or implied, is granted under any TI patent right, copyright, mask work right, or other TI intellectual property right relating to any combination, machine, or process in which TI products or services are used. Information published by TI regarding third-party products or services does not constitute a license from TI to use such products or services or a warranty or endorsement thereof. Use of such information may require a license from a third party under the patents or other intellectual property of the third party, or a license from TI under the patents or other intellectual property of TI.

Reproduction of information in TI data books or data sheets is permissible only if reproduction is without alteration and is accompanied by all associated warranties, conditions, limitations, and notices. Reproduction of this information with alteration is an unfair and deceptive business practice. TI is not responsible or liable for such altered documentation.

Resale of TI products or services with statements different from or beyond the parameters stated by TI for that product or service voids all express and any implied warranties for the associated TI product or service and is an unfair and deceptive business practice. TI is not responsible or liable for any such statements.

TI products are not authorized for use in safety-critical applications (such as life support) where a failure of the TI product would reasonably be expected to cause severe personal injury or death, unless officers of the parties have executed an agreement specifically governing such use. Buyers represent that they have all necessary expertise in the safety and regulatory ramifications of their applications, and acknowledge and agree that they are solely responsible for all legal, regulatory and safety-related requirements concerning their products and any use of TI products in such safety-critical applications, notwithstanding any applications-related information or support that may be provided by TI. Further, Buyers must fully indemnify TI and its representatives against any damages arising out of the use of TI products in such safety-critical applications.

TI products are neither designed nor intended for use in military/aerospace applications or environments unless the TI products are specifically designated by TI as military-grade or "enhanced plastic." Only products designated by TI as military-grade meet military specifications. Buyers acknowledge and agree that any such use of TI products which TI has not designated as military-grade is solely at the Buyer's risk, and that they are solely responsible for compliance with all legal and regulatory requirements in connection with such use.

TI products are neither designed nor intended for use in automotive applications or environments unless the specific TI products are designated by TI as compliant with ISO/TS 16949 requirements. Buyers acknowledge and agree that, if they use any non-designated products in automotive applications, TI will not be responsible for any failure to meet such requirements.

Following are URLs where you can obtain information on other Texas Instruments products and application solutions:

Products		Applications	
Amplifiers	amplifier.ti.com	Audio	www.ti.com/audio
Data Converters	dataconverter.ti.com	Automotive	www.ti.com/automotive
DSP	dsp.ti.com	Broadband	www.ti.com/broadband
Interface	interface.ti.com	Digital Control	www.ti.com/digitalcontrol
Logic	logic.ti.com	Military	www.ti.com/military
Power Mgmt	power.ti.com	Optical Networking	www.ti.com/opticalnetwork
Microcontrollers	microcontroller.ti.com	Security	www.ti.com/security
RFID	www.ti-rfid.com	Telephony	www.ti.com/telephony
Low Power Wireless	www.ti.com/lpw	Video & Imaging	www.ti.com/video
		Wireless	www.ti.com/wireless

Mailing Address: Texas Instruments, Post Office Box 655303, Dallas, Texas 75265
Copyright © 2007, Texas Instruments Incorporated