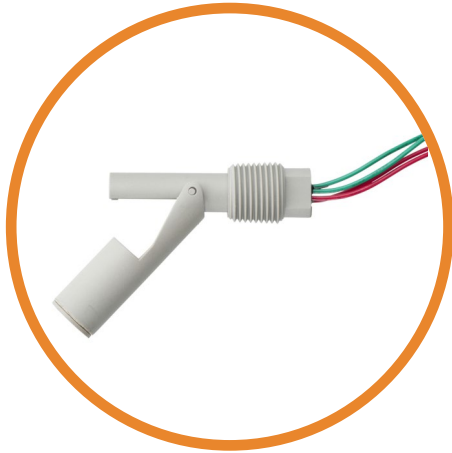


TSF80 SERIES

1/2"NPT EXTERNAL MOUNT WITH TEMPERATURE SENSING



The TSF80 series is a compact external fitting device, via 1/2"NPT thread, with a high specification thermistor so capable of sensing both liquid level and temperature.

The device is mounted through a 1/2"NPT boss, so does not require access to the inside of the tank.

Typical applications include vending machines, commercial washing machines and evaporator units.

They are manufactured in a variety of materials, to suit most commonly used liquids.

The switch action may be reversed by rotating the device through 180°.

Features

- Compact design with temperature sensing
- 1/2"NPT thread for external mount
- 25VA & 100VA versions
- WRAS Approved versions

SPECIFICATIONS

Technical

	TSF83	TSF84	TSF88	TSF86
Material	Nylon	Polypropylene WRAS approved	Polypropylene UL approved	Polyphenylene Sulphide (PPS)
Colour	Black	Opaque	White	Grey
Temp. Range	°C	-20/+75	-20/+100	-10/+120*
	°F	-4/+167	-4/+212	+14/+248*
Min. Fluid SG	0.85	0.85	0.85	0.85
Must Close Level (SG=1)	7mm	8mm	8mm	9mm
Must Open Level (SG=1)	20mm	20mm	20mm	24mm

*Maximum temperature requires ETFE cable to be specified.

Electrical

		25W (Y code)	100W (H code)
Contact Form		N/O (N/C)	N/O (N/C)
Switching Power Max	VA	25	100
Switching Voltage AC Max	V	240	300
Switching Voltage DC Max	V	120	300
Switching Current Max	A	0.6	1

All ratings are for resistive load only.

Thermistor

Nominal Temperature Resistance	10k Ohm at 25°C
Resistance Tolerance	+/- 1%(25°C) to +/-4.3%(120°C)
Operating Temperature Range	-20°C to +120°C
Temperature Sensing Accuracy	+/-0.2°C (0°C to +70°C)
Beta Value	3892K (0/50°C)
Response Time	<1 sec
Dissipation Constant	0.75mW/K

STANDARD PARTS

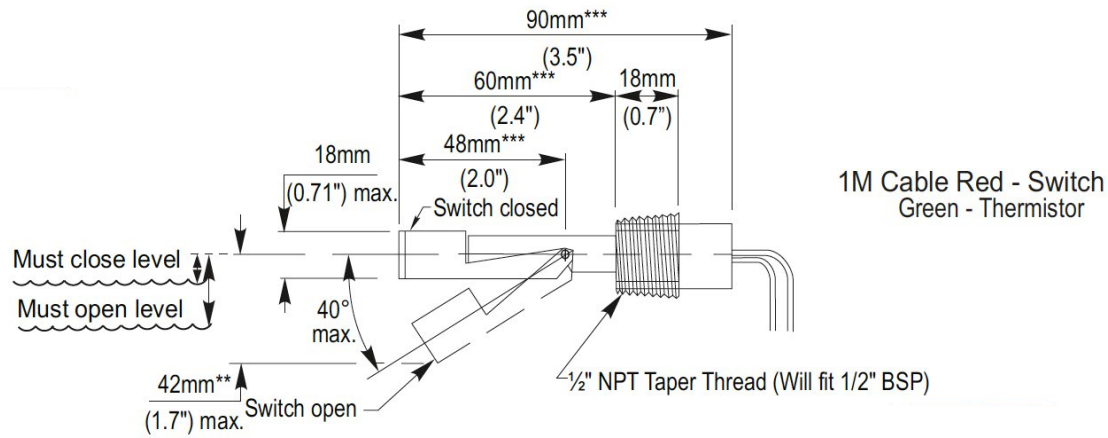
	Material	Temperature	Max Power	Leadouts	Output
TSF83H100D	Nylon	-20°C to +75°C	100VA	100cm PVC 16/0.2	SPNO + Temp
TSF83Y100D	Nylon	-20°C to +75°C	25VA	100cm PVC 16/0.2	SPNO + Temp
TSF84H100D	PP	-20°C to +100°C	100VA	100cm PVC 16/0.2	SPNO + Temp
TSF84Y100D	PP	-20°C to +100°C	25VA	100cm PVC 16/0.2	SPNO + Temp
TSF86H050T	PPS	-10°C to +120°C	100VA	50cm ETFE 19/0.2	SPNO + Temp
TSF86H100D	PPS	-10°C to +100°C	100VA	100cm PVC 16/0.2	SPNO + Temp
TSF86Y050T	PPS	-10°C to +120°C	25VA	50cm ETFE 19/0.2	SPNO + Temp
TSF86Y100D	PPS	-10°C to +105°C	25VA	100cm PVC 16/0.2	SPNO + Temp
TSF88H100D	PP (UL)	-20°C to +100°C	100VA	100cm PVC 16/0.2	SPNO + Temp
TSF88Y100D	PP (UL)	-20°C to +100°C	100VA	100cm PVC 16/0.2	SPNO + Temp

Custom versions can be made for particular applications. Please contact Sensata with your requirements.



DIMENSIONS

All dimensions are in millimeters.



** 49mm TSF86

*** Add 10mm to dims, TSF86

Made in the UK

Page 3

Sensata Technologies, Inc. ("Sensata") data sheets are solely intended to assist designers ("Buyers") who are developing systems that incorporate Sensata products (also referred to herein as "components"). Buyer understands and agrees that Buyer remains responsible for using its independent analysis, evaluation and judgment in designing Buyer's systems and products. Sensata data sheets have been created using standard laboratory conditions and engineering practices. Sensata has not conducted any testing other than that specifically described in the published documentation for a particular data sheet. Sensata may make corrections, enhancements, improvements and other changes to its data sheets or components without notice.

Buyers are authorized to use Sensata data sheets with the Sensata component(s) identified in each particular data sheet. HOWEVER, NO OTHER LICENSE, EXPRESS OR IMPLIED, BY ESTOPPEL OR OTHERWISE TO ANY OTHER SENSATA INTELLECTUAL PROPERTY RIGHT, AND NO LICENSE TO ANY THIRD PARTY TECHNOLOGY OR INTELLECTUAL PROPERTY RIGHT, IS GRANTED HEREIN. SENSATA DATA SHEETS ARE PROVIDED "AS IS". SENSATA MAKES NO WARRANTIES OR REPRESENTATIONS WITH REGARD TO THE DATA SHEETS OR USE OF THE DATA SHEETS, EXPRESS, IMPLIED OR STATUTORY, INCLUDING ACCURACY OR COMPLETENESS. SENSATA DISCLAIMS ANY WARRANTY OF TITLE AND ANY IMPLIED WARRANTIES OF MERCHANTABILITY, FITNESS FOR A PARTICULAR PURPOSE, QUIET ENJOYMENT, QUIET POSSESSION, AND NON-INFRINGEMENT OF ANY THIRD PARTY INTELLECTUAL PROPERTY RIGHTS WITH REGARD TO SENSATA DATA SHEETS OR USE THEREOF.

All products are sold subject to Sensata's terms and conditions of sale supplied at www.sensata.com SENSATA ASSUMES NO LIABILITY FOR APPLICATIONS ASSISTANCE OR THE DESIGN OF BUYERS' PRODUCTS. BUYER ACKNOWLEDGES AND AGREES THAT IT IS SOLELY RESPONSIBLE FOR COMPLIANCE WITH ALL LEGAL, REGULATORY AND SAFETY-RELATED REQUIREMENTS CONCERNING ITS PRODUCTS, AND ANY USE OF SENSATA COMPONENTS IN ITS APPLICATIONS, NOTWITHSTANDING ANY APPLICATIONS-RELATED INFORMATION OR SUPPORT THAT MAY BE PROVIDED BY SENSATA.

Mailing Address: Sensata Technologies, Inc., 529 Pleasant Street, Attleboro, MA 02703, USA.

CONTACT US

+44 (0)1202 897969
 c3w_sales@sensata.com
 Cynergy3 Components Ltd.
 7 Cobham Road,
 Ferndown Industrial Estate,
 Wimborne, Dorset,
 BH21 7PE, United Kingdom