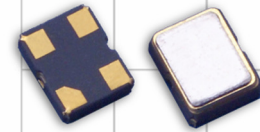


Model CA25C

AUTOMOTIVE GRADE HCMOS CLOCK



Part Dimensions:
2.5 × 2.0 × 1.0mm • 14.25851mg

Features

- AEC-Q200 Compliant
- Ceramic Surface Mount Package
- Operating Temperature Range to -55°C to +105°C
- Fundamental and 3rd Overtone Crystal Designs
- Frequency Range 1.25 – 156.25MHz *
- +1.8V, +2.5V and +3.3V Operation
- Output Enable Standard
- Tape and Reel Packaging, EIA-481

Standard Frequencies

* See Page 6 for common frequencies.
Check with factory for availability of frequencies not listed.

Applications

- Automotive Electronics
- IoT and IIoT
- Medical Electronics
- Mobile Multimedia/Infotainment
- Wireless Communication
- Commercial Military & Aerospace

Description

CTS Model CA25C is a low cost, small size, Clock Oscillator [XO] developed for use in automotive electronics operating over extended temperature ranges. CA25C has an HCMOS/TTL compatible output, offers excellent stability and low jitter/phase noise performance.

Ordering Information

| Model | | Output Type | Frequency Code [MHz] | Frequency Stability | Temperature Range | Supply Voltage | Packaging |
|-------------------|-----------|-------------------------------------|----------------------|--------------------------------|-------------------|----------------|-----------|
| CA | 25 | C | XXX or XXXX | 3 | G | L | R |
| Code Package Size | | Code Frequency | | Code Temp. Range | | Code Packing | |
| 25 | 2.5x2.0mm | Product Frequency Code ¹ | | I -40°C to +85°C | | R 3k pcs./reel | |
| Code Output | | Code Stability | | Code Stability | | Code Voltage | |
| C | HCMOS | 5 ±25ppm 3 ±50ppm 7 ±150ppm | | G -40°C to +105°C ² | | M +1.8Vdc | |
| | | 4 ±30ppm 2 ±100ppm | | H -40°C to +125°C ³ | | N +2.5Vdc | |
| | | | | N -40°C to +150°C ⁴ | | L +3.3Vdc | |
| | | | | P -55°C to +105°C ⁴ | | | |

Notes:

- 1] Refer to document 016-1454-0, Frequency Code Tables. 3-digits for frequencies <100MHz, 4-digits for frequencies 100MHz or greater.
- 2] Available with stability codes 4, 3, 2 and 7.
- 3] Available with stability codes 3, 2 and 7.
- 4] Stability codes 2 and 7. Contact factory for availability.

**Not all performance combinations and frequencies may be available.
Contact your local CTS Representative or CTS Customer Service for availability.**

This product is specified for use only in standard commercial applications. Supplier disclaims all express and implied warranties and liability in connection with any use of this product in any non-commercial applications or in any application that may expose the product to conditions that are outside of the tolerances provided in its specification.



Electrical Specifications

Operating Conditions

| PARAMETER | SYMBOL | CONDITIONS | MIN | TYP | MAX | UNIT |
|--|------------------|------------|-------|-----|-------|------|
| Maximum Supply Voltage | V _{CC} | - | -0.5 | - | 4.0 | V |
| | | | 1.710 | 1.8 | 1.890 | |
| Supply Voltage | V _{CC} | ±5% | 2.375 | 2.5 | 2.665 | V |
| | | | 3.135 | 3.3 | 3.465 | |
| Typical @ Nominal V _{CC} , C _L = 15 pF, T _A = +25°C | | | | | | |
| Supply Current | I _{CC} | @ +1.8V | - | 10 | 15 | mA |
| | | @ +2.5V | - | 15 | 20 | |
| | | @ +3.3V | - | 15 | 20 | |
| Output Load | C _L | - | - | - | 15 | pF |
| | | | -40 | | +85 | |
| Operating Temperature | T _A | - | -40 | | +105 | °C |
| | | | -40 | +25 | +125 | |
| | | | -40 | | +150 | |
| | | | -55 | | +105 | |
| | | | -55 | | +125 | |
| Storage Temperature | T _{STG} | - | -55 | - | +125 | °C |

Frequency Stability

| PARAMETER | SYMBOL | CONDITIONS | MIN | TYP | MAX | UNIT |
|---------------------------------|--------------------|---|-----|------------------------|-----|------|
| Frequency Range | f _O | - | | 1.25 - 156.25 | | MHz |
| Frequency Stability [Note 1] | Δf/f _O | - | | 25, 30, 50, 100 or 150 | | ±ppm |
| Aging | Δf/f ₂₅ | First Year @ +25°C, nominal V _{CC} | -5 | - | 5 | ppm |

1.] Inclusive of initial tolerance at time of shipment, changes in supply voltage, load, temperature and 1st year aging.

Output Parameters

| PARAMETER | SYMBOL | CONDITIONS | MIN | TYP | MAX | UNIT |
|---|---------------------------------|---|--------------------|-------|--------------------|------|
| Output Type | - | - | | HCMOS | | - |
| Output Voltage Levels | V _{OH} | Logic '1' Level, CMOS Load | 0.9V _{CC} | - | - | V |
| | V _{OL} | Logic '0' Level, CMOS Load | - | - | 0.1V _{CC} | |
| Output Current Levels | I _{OH} | V _{OH} = 90%V _{CC} [1.8V, 2.5V, 3.3V] | - | - | -4, -4, -8 | mA |
| | I _{OL} | V _{OL} = 10%V _{CC} [1.8V, 2.5V, 3.3V] | - | - | +4, +4, +8 | |
| Output Duty Cycle | SYM | @ 50% Level | 45 | - | 55 | % |
| @ 10%/90% Levels, Nominal V _{CC} , C _L = 15pF | | | | | | |
| Rise and Fall Time [Note 2] | T _R , T _F | @ +1.8V | - | 5 | 7 | ns |
| | | @ +2.5V | - | 5 | 7 | |
| | | @ +3.3V | - | 6 | 7 | |
| Start Up Time | T _S | Application of V _{CC} | - | 2 | 5 | ms |

2.] Parameters are worst case and account for comprehensive range of product specification. Performance may vary by application and must be validated by end user.

Electrical Specifications

Output Parameters

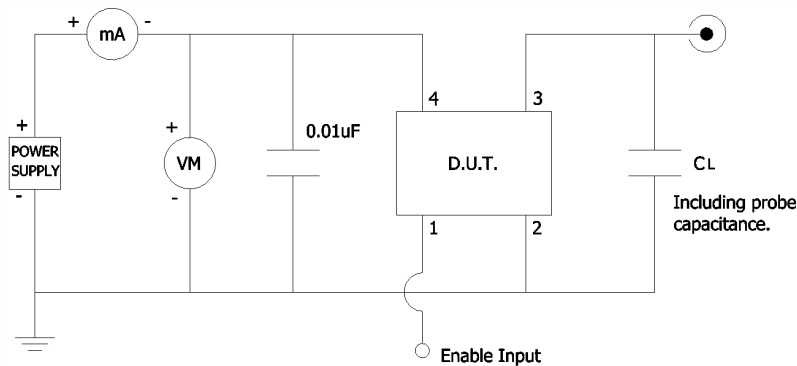
| PARAMETER | SYMBOL | CONDITIONS | MIN | TYP | MAX | UNIT |
|------------------------------|------------|---------------------------------|--------------------|-----|--------------------|------|
| Enable Function | | Standby | | | | |
| Enable Input Voltage | V_{IH} | Pin 1 Logic '1', Output Enabled | 0.7V _{CC} | - | - | V |
| Disable Input Voltage | V_{IL} | Pin 1 Logic '0', Output Standby | - | - | 0.3V _{CC} | V |
| Enable Current | I_{STB} | Pin 1 Logic '0', Output Standby | - | - | 10 | μA |
| Enable Time | T_{PLZ} | Pin 1 Logic '1' | - | - | 5 | ms |
| Phase Jitter, RMS | t_{jrms} | Bandwidth 12 kHz - 20 MHz | - | 0.5 | <1 | ps |

Enable Truth Table

| Pin 1 | Pin 3 |
|-----------|------------------------------------|
| Logic '1' | Output Enabled |
| Open | Output Enabled |
| Logic '0' | Output Disabled, High Impedance |

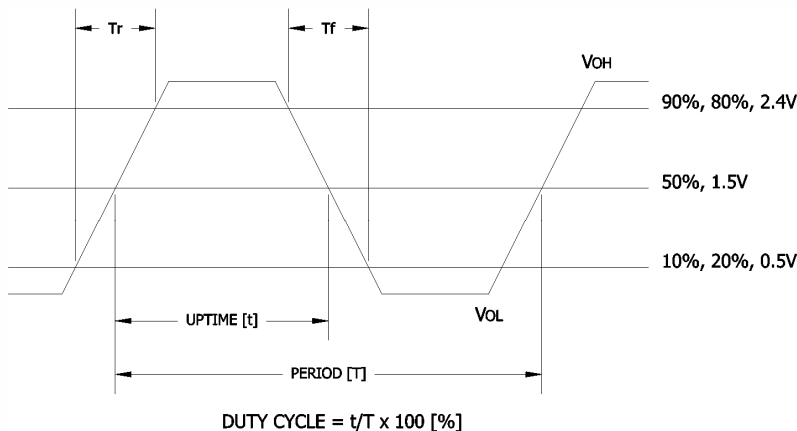
Test Circuit

HCMOS



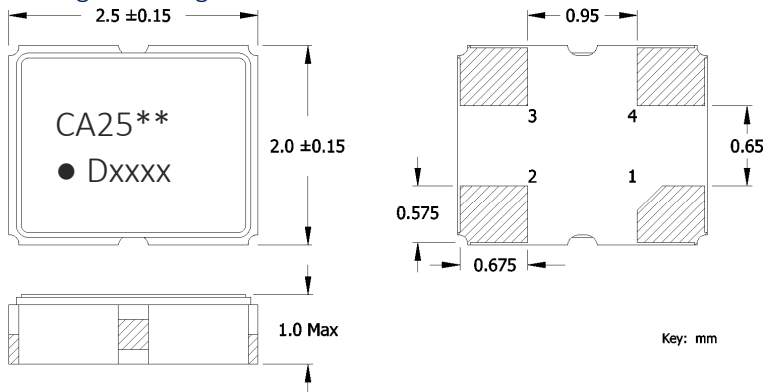
Output Waveform

HCMOS



Mechanical Specifications

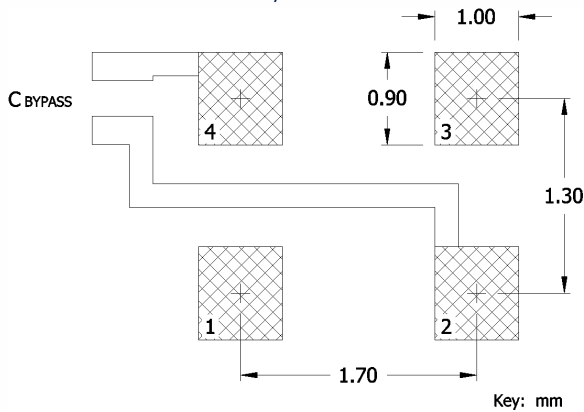
Package Drawing



Marking Information

1. CA25 – CTS model.
2. ** – Manufacturing Site Code.
3. ● – Pin 1 identifier.
4. D – Date Code. See Table I for codes.
5. xxxx – Frequency Code.
3-digits for frequencies <100MHz
4-digits for frequencies 100MHz or greater
[See document 016-1454-0, Frequency Code Tables.]

Recommended Pad Layout



Notes

1. Termination pads (e4). Barrier-plating is nickel [Ni] with gold [Au] flash plate.
2. Reflow conditions per JEDEC J-STD-020; +260°C maximum, 20 seconds.
3. MSL = 1.

Pin Assignments

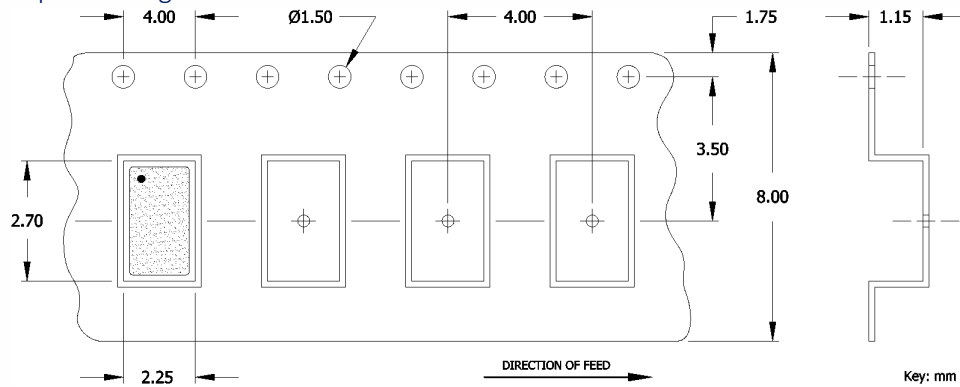
| Pin | Symbol | Function |
|-----|-----------------|-------------------|
| 1 | EOH | Enable |
| 2 | GND | Circuit & Package |
| 3 | Output | RF Output |
| 4 | V _{CC} | Supply Voltage |

Table I - Date Code, Beginning year 2021

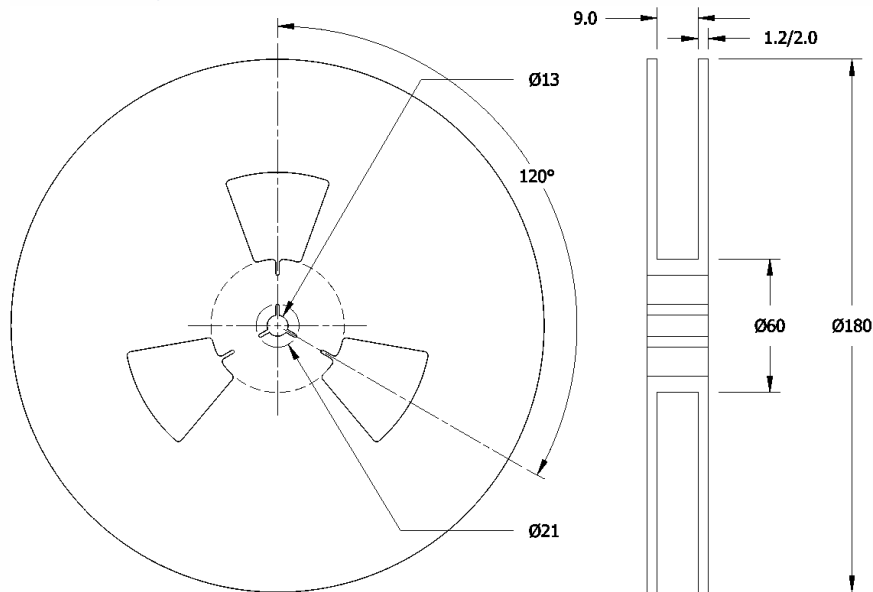
| | | MONTH | | | | | | | | | | | | |
|------|---------------------|-------|-----|-----|-----|-----|-----|-----|-----|-----|-----|-----|-----|--|
| YEAR | | JAN | FEB | MAR | APR | MAY | JUN | JUL | AUG | SEP | OCT | NOV | DEC | |
| 2021 | 2025 2029 2033 2037 | A | B | C | D | E | F | G | H | J | K | L | M | |
| 2022 | 2026 2030 2034 2038 | N | P | Q | R | S | T | U | V | W | X | Y | Z | |
| 2023 | 2027 2031 2035 2039 | a | b | c | d | e | f | g | h | j | k | l | m | |
| 2024 | 2028 2032 2036 2040 | n | p | q | r | s | t | u | v | w | x | y | z | |

Packaging - Tape and Reel

Tape Drawing



Reel Drawing



Notes

1. Device quantity is 1k pieces minimum and 3k pieces maximum per 180mm reel.
2. Complete CTS part number, frequency value and date code information must appear on reel and carton labels.



Addendum

Common Frequencies Available – MHz

| FREQUENCY | FREQUENCY CODE | FREQUENCY | FREQUENCY CODE | FREQUENCY | FREQUENCY CODE | FREQUENCY | FREQUENCY CODE |
|-----------|----------------|-----------|----------------|-----------|----------------|-----------|----------------|
| 4.000000 | 040 | 24.000000 | 240 | 40.000000 | 400 | | |
| 8.000000 | 080 | 24.576000 | 24C | 48.000000 | 480 | | |
| 10.000000 | 100 | 25.000000 | 250 | 50.000000 | 500 | | |
| 12.000000 | 120 | 26.000000 | 260 | | | | |
| 12.288000 | 122 | 27.000000 | 270 | | | | |
| 14.318180 | 143 | 30.000000 | 300 | | | | |
| 14.745600 | 147 | 32.000000 | 320 | | | | |
| 16.000000 | 160 | 33.333000 | 33E | | | | |
| 20.000000 | 200 | 37.400000 | 374 | | | | |
| 22.118400 | 221 | 38.400000 | 384 | | | | |