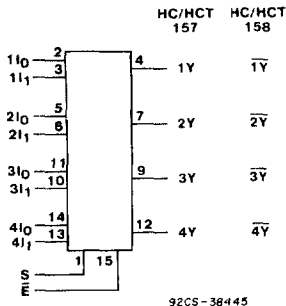


# CD54/74HC157, CD54/74HCT157 CD54/74HC158, CD54/74HCT158

## High-Speed CMOS Logic



92CS-38445  
**FUNCTIONAL DIAGRAM**

### Quad 2-Input Multiplexers

HC/HCT157 Non-Inverting  
HC/HCT158 Inverting

**Type Features:**

- Buffered inputs
- Typical Propagation Delay (In to Output) = 10 ns (HC157) @  $V_{CC} = 5 V$ ,  $C_L = 15 pF$ ,  $T_A = 25^\circ C$

The RCA-CD54/74HC157, 158 and CD54/74HCT157, 158 are quad 2-input multiplexers which select four bits of data from two sources under the control of a common Select input (S). The Enable input (E) is active LOW. When (E) is HIGH, all of the outputs in the 158, the inverting type, (1Y-4Y) are forced HIGH and in the 157, the non-inverting type, all of the outputs (1Y-4Y) are forced LOW, regardless of all other input conditions.

Moving data from two groups of registers to four common output busses is a common use of these devices. The state of the Select input determines the particular register from which the data comes. They can also be used as function generators.

The CD54HC157, 158 and CD54HCT157, 158 are supplied in 16-lead hermetic dual-in-line ceramic packages (F suffix). The CD74HC157, 158 and CD74HCT157, 158 are supplied in 16-lead dual-in-line plastic packages (E suffix). The CD74HC157, 158 and CD74HCT157, 158 are supplied in 16-lead dual-in-line surface mount plastic packages (M suffix). Both types are also available in chip form (H suffix).

**Family Features:**

- Fanout (Over Temperature Range):  
Standard Outputs - 10 LSTTL Loads  
Bus Driver Outputs - 15 LSTTL Loads
- Wide Operating Temperature Range:  
CD74HC/HCT:  $-40$  to  $+85^\circ C$
- Balanced Propagation Delay and Transition Times
- Significant Power Reduction Compared to LSTTL Logic ICs
- Alternate Source is Philips/Signetics
- CD54HC/CD74HC Types:  
2 to 6 V Operation  
High Noise Immunity:  $N_{IL} = 30\%$ ,  $N_{IH} = 30\%$  of  $V_{CC}$  @  $V_{CC} = 5 V$
- CD54HCT/CD74HCT Types:  
4.5 to 5.5 V Operation  
Direct LSTTL Input Logic Compatibility  
 $V_{IL} = 0.8 V$  Max.,  $V_{IH} = 2 V$  Min.  
CMOS Input Compatibility  
 $I_I \leq 1 \mu A$  @  $V_{OL}$ ,  $V_{OH}$

**FUNCTION TABLE**

Enable	Select Input	Data Inputs		Output	
				157	158
$\bar{E}$	S	$I_0$	$I_1$	Y	$\bar{Y}$
H	X	X	X	L	H
L	L	L	X	L	H
L	L	H	X	H	L
L	H	X	L	L	H
L	H	X	H	H	L

L = LOW voltage level.  
H = HIGH voltage level.  
X = Don't care.

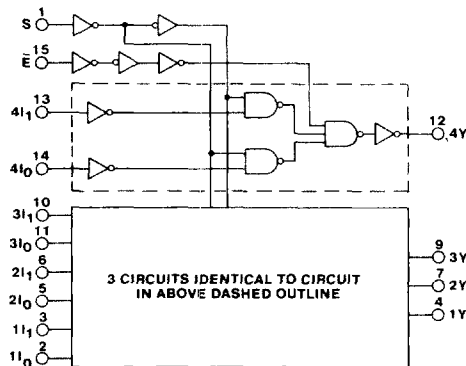
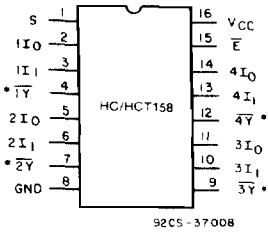
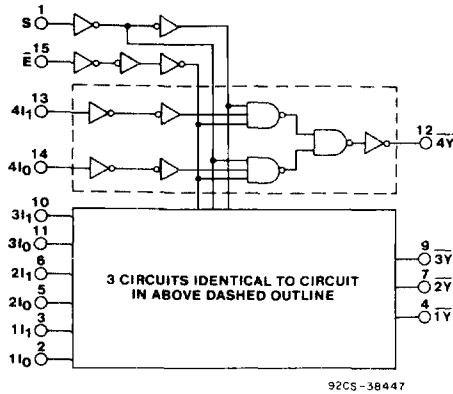


Fig. 1 - Logic Diagram for HC/HCT157. 92CM-38446

# CD54/74HC157, CD54/74HCT157 CD54/74HC158, CD54/74HCT158



\* For HC/HCT157 these outputs are 1Y, 2Y, 3Y, 4Y.

### TERMINAL ASSIGNMENT

Fig. 2 - Logic Diagram for HC/HCT158.

### MAXIMUM RATINGS, Absolute-Maximum Values:

#### DC SUPPLY-VOLTAGE, (V<sub>CC</sub>):

(Voltages referenced to ground) ..... -0.5 to +7 V

DC INPUT DIODE CURRENT, I<sub>IK</sub> (FOR V<sub>I</sub> < -0.5 V OR V<sub>I</sub> > V<sub>CC</sub> + 0.5 V) ..... ±20 mA

DC OUTPUT DIODE CURRENT, I<sub>OK</sub> (FOR V<sub>O</sub> < -0.5 V OR V<sub>O</sub> > V<sub>CC</sub> + 0.5 V) ..... ±20 mA

DC DRAIN CURRENT, PER OUTPUT (I<sub>O</sub>) (FOR -0.5 V < V<sub>O</sub> < V<sub>CC</sub> + 0.5 V) ..... ±25 mA

DC V<sub>CC</sub> OR GROUND CURRENT (I<sub>CC</sub>) ..... ±50 mA

#### POWER DISSIPATION PER PACKAGE (P<sub>D</sub>):

For T<sub>A</sub> = -40 to +60°C (PACKAGE TYPE E) ..... 500 mW

For T<sub>A</sub> = +60 to +85°C (PACKAGE TYPE E) ..... Derate Linearly at 8 mW/°C to 300 mW

For T<sub>A</sub> = -55 to +100°C (PACKAGE TYPE F, H) ..... 500 mW

For T<sub>A</sub> = +100 to +125°C (PACKAGE TYPE F, H) ..... Derate Linearly at 8 mW/°C to 300 mW

For T<sub>A</sub> = -40 to +70°C (PACKAGE TYPE M) ..... 400 mW

For T<sub>A</sub> = +70 to +125°C (PACKAGE TYPE M) ..... Derate Linearly at 6 mW/°C to 70 mW

#### OPERATING-TEMPERATURE RANGE (T<sub>A</sub>):

PACKAGE TYPE F, H ..... -55 to +125°C

PACKAGE TYPE E, M ..... -40 to +85°C

STORAGE TEMPERATURE (T<sub>stg</sub>) ..... -65 to +150°C

#### LEAD TEMPERATURE (DURING SOLDERING):

At distance 1/16 ± 1/32 in. (1.59 ± 0.79 mm) from case for 10 s max. .... +265°C

Unit inserted into a PC Board (min. thickness 1/16 in., 1.59 mm)

with solder contacting lead tips only ..... +300°C

### RECOMMENDED OPERATING CONDITIONS:

For maximum reliability, nominal operating conditions should be selected so that operation is always within the following ranges:

CHARACTERISTIC	LIMITS		UNITS
	MIN.	MAX.	
Supply-Voltage Range (For T <sub>A</sub> = Full Package Temperature Range) V <sub>CC</sub> .*			
CD54/74HC Types	2	6	V
CD54/74HCT Types	4.5	5.5	V
DC Input or Output Voltage V <sub>in</sub> , V <sub>out</sub>	0	V <sub>CC</sub>	V
Operating Temperature T <sub>A</sub> .*			
CD74 Types	-40	+85	°C
CD54 Types	-55	+125	°C
Input Rise and Fall Times, t <sub>r</sub> , t <sub>f</sub>			
at 2 V	0	1000	ns
at 4.5 V	0	500	ns
at 6 V	0	400	ns

\*Unless otherwise specified, all voltages are referenced to Ground.

# CD54/74HC157, CD54/74HCT157 CD54/74HC158, CD54/74HCT158

## STATIC ELECTRICAL CHARACTERISTICS

CHARACTERISTICS	CD74HC157/158/CD54HC157/158										CD74HCT157/158/CD54HCT157/158										UNITS		
	TEST CONDITIONS			74HC/54HC TYPE			74HC TYPE		54HC TYPE			TEST CONDITIONS		74HCT/54HCT TYPE			74HCT TYPE		54HCT TYPE				
	V <sub>i</sub> V	I <sub>o</sub> mA	V <sub>cc</sub> V	-25°C			-40/ -85°C		-55/ +125°C			V <sub>i</sub> V	V <sub>cc</sub> V	-25°C			-40/ -85°C		-55/ +125°C				
				Min	Typ	Max	Min	Max	Min	Max	Min			Max	Min	Typ	Max	Min	Max	Min		Max	
High-Level Input Voltage	V <sub>IH</sub>			2	1.5	—	—	1.5	—	1.5	—	—	4.5		2	—	—	2	—	2	—	V	
				4.5	3.15	—	—	3.15	—	3.15	—	—	I <sub>o</sub>										
				6	4.2	—	—	4.2	—	4.2	—	—	5.5										
Low-Level Input Voltage	V <sub>IL</sub>			2	—	—	0.5	—	0.5	—	0.5	—	4.5				0.8	—	0.8	—	0.8	V	
				4.5	—	—	1.35	—	1.35	—	1.35	—	I <sub>o</sub>										
				6	—	—	1.8	—	1.8	—	1.8	—	5.5										
High-Level Output Voltage	V <sub>OH</sub>	V <sub>IL</sub> or V <sub>IH</sub>	-0.02	2	1.9	—	—	1.9	—	1.9	—	V <sub>IL</sub> or V <sub>IH</sub>	4.5	4.4	—	—	4.4	—	4.4	—	4.4	V	
CMOS Loads				4.5	4.4	—	—	4.4	—	4.4	—												
				6	5.9	—	—	5.9	—	5.9	—												
TTL Loads		V <sub>IL</sub> or V <sub>IH</sub>	-4	4.5	3.98	—	—	3.84	—	3.7	—	V <sub>IL</sub> or V <sub>IH</sub>	4.5	3.98	—	—	3.84	—	3.7	—		V	
Low-Level Output Voltage	V <sub>OL</sub>	V <sub>IL</sub> or V <sub>IH</sub>	0.02	2	—	—	0.1	—	0.1	—	0.1	V <sub>IL</sub> or V <sub>IH</sub>	4.5	—	—	0.1	—	0.1	—	0.1	—	0.1	V
CMOS Loads				4.5	—	—	0.1	—	0.1	—	0.1												
				6	—	—	0.1	—	0.1	—	0.1												
TTL Loads		V <sub>IL</sub> or V <sub>IH</sub>	4	4.5	—	—	0.26	—	0.33	—	0.4	V <sub>IL</sub> or V <sub>IH</sub>	4.5	—	—	0.26	—	0.33	—	0.4	—	0.4	V
Input Leakage Current	I <sub>i</sub>	V <sub>cc</sub> or Gnd		6	—	—	±0.1	—	±1	—	±1	Any Voltage Between V <sub>cc</sub> and Gnd	5.5	—	—	±0.1	—	±1	—	±1	—	±1	μA
Quiescent Device Current	I <sub>cc</sub>	V <sub>cc</sub> or Gnd	0	6	—	—	8	—	80	—	160	V <sub>cc</sub> or Gnd	5.5	—	—	8	—	80	—	160	—	160	μA
Additional Quiescent Device Current per Input Pin: 1 Unit Load ΔI <sub>cc</sub> *												V <sub>cc</sub> -2.1	4.5 to 5.5	—	100	360	—	450	—	490	—	490	μA

\*For dual-supply systems theoretical worst case (V<sub>i</sub> = 2.4 V, V<sub>cc</sub> = 5.5 V) specification is 1.8 mA.

### INPUT LOADING TABLE

INPUT	UNIT LOADS *	
	HCT 157	HCT 158
I (ALL)	0.95	0.4
$\bar{E}$	0.6	0.6
S	3	2.8

\* Unit load is ΔI<sub>cc</sub> limit specified in Static Characteristic Chart, e.g., 360 μA max. @ 25°C.

# CD54/74HC157, CD54/74HCT157 CD54/74HC158, CD54/74HCT158

SWITCHING CHARACTERISTICS ( $V_{CC} = 5\text{ V}$ ,  $C_L = 15\text{ pF}$ ,  $T_A = 25^\circ\text{C}$ , Input  $t_r$ ,  $t_f = 6\text{ ns}$ )

CHARACTERISTIC	$C_L$ pF	SYMBOL	TYPICAL VALUES				UNITS
			HC157	HCT157	HC158	HCT158	
Data to Output	15	$t_{PHL}$ $t_{PLH}$	10	12	11	13	ns
Enable to Output	15	$t_{PHL}$ $t_{PLH}$	11	12	13	15	ns
Select to Output	15	$t_{PHL}$ $t_{PLH}$	12	15	12	14	ns
Power Dissipation Capacitance*		$C_{PD}$	62	70	35	35	pF

\*  $C_{PD}$  is used to determine the dynamic power consumption, per multiplexer.

$$P_D = C_{PD} V_{CC}^2 f_i + \sum C_L V_{CC}^2 f_o \text{ where:}$$

$f_i$  = input frequency.

$C_L$  = output load capacitance.

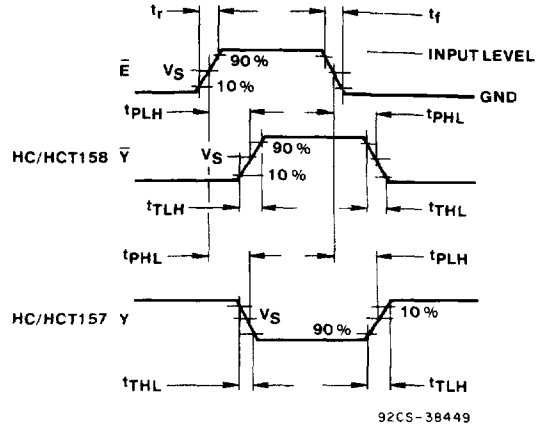
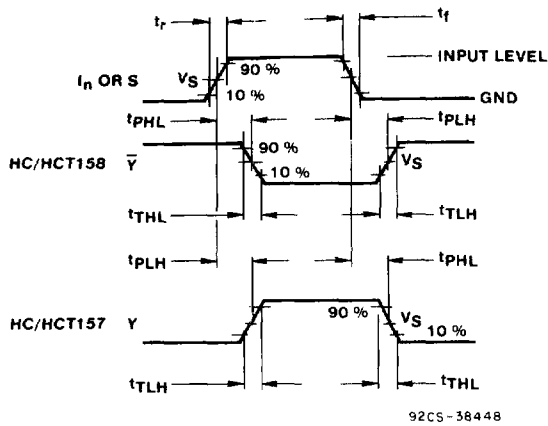
$f_o$  = output frequency.

$V_{CC}$  = supply voltage.

SWITCHING CHARACTERISTICS ( $C_L = 50\text{ pF}$ , Input  $t_r$ ,  $t_f = 6\text{ ns}$ )

CHARACTERISTIC	SYMBOL	$V_{CC}$	25°C				-40°C to +85°C				-55°C to +125°C				UNITS
			HC		HCT		74HC		74HCT		54HC		54HCT		
			Min.	Max.	Min.	Max.	Min.	Max.	Min.	Max.	Min.	Max.	Min.	Max.	
Propagation Delay	$t_{PLH}$	2	—	125	—	—	—	155	—	—	—	190	—	—	ns
Data to Output	$t_{PHL}$	4.5	—	25	—	30	—	31	—	38	—	38	—	45	
(Figure 3) HC/HCT157		6	—	21	—	—	—	26	—	—	—	32	—	—	
Propagation Delay	$t_{PLH}$	2	—	135	—	—	—	170	—	—	—	205	—	—	ns
Enable to Output	$t_{PHL}$	4.5	—	27	—	30	—	34	—	38	—	41	—	45	
(Figure 4) HC/HCT157		6	—	23	—	—	—	29	—	—	—	35	—	—	
Propagation Delay	$t_{PLH}$	2	—	145	—	—	—	180	—	—	—	220	—	—	ns
Select to Output	$t_{PHL}$	4.5	—	29	—	37	—	36	—	46	—	44	—	56	
(Figure 3) HC/HCT157		6	—	25	—	—	—	31	—	—	—	38	—	—	
Propagation Delay	$t_{PLH}$	2	—	140	—	—	—	175	—	—	—	210	—	—	ns
Data to Output	$t_{PHL}$	4.5	—	28	—	32	—	35	—	40	—	42	—	48	
(Figure 3) HC/HCT158		6	—	24	—	—	—	30	—	—	—	36	—	—	
Propagation Delay	$t_{PLH}$	2	—	160	—	—	—	200	—	—	—	240	—	—	ns
Enable to Output	$t_{PHL}$	4.5	—	32	—	37	—	40	—	46	—	48	—	56	
(Figure 4) HC/HCT158		6	—	27	—	—	—	34	—	—	—	41	—	—	
Propagation Delay	$t_{PLH}$	2	—	150	—	—	—	190	—	—	—	225	—	—	ns
Select to Output	$t_{PHL}$	4.5	—	30	—	35	—	38	—	44	—	45	—	53	
(Figure 3) HC/HCT158		6	—	26	—	—	—	33	—	—	—	38	—	—	
Output Transition	$t_{TLH}$	2	—	75	—	—	—	95	—	—	—	110	—	—	ns
Time	$t_{THL}$	4.5	—	15	—	15	—	19	—	19	—	22	—	22	
(Figure 3 or 4)		6	—	13	—	—	—	16	—	—	—	19	—	—	
Input Capacitance	$C_{in}$		—	10	—	10	—	10	—	10	—	10	—	10	pF

# CD54/74HC157, CD54/74HCT157 CD54/74HC158, CD54/74HCT158



	54/74HC	54/74HCT
Input Level	$V_{CC}$	3 V
$V_S$	50% $V_{CC}$	1.3 V

Fig. 3 - Inputs or select to output propagation delays and output transition times.

Fig. 4 - Enable to output propagation delays and output transition times.