

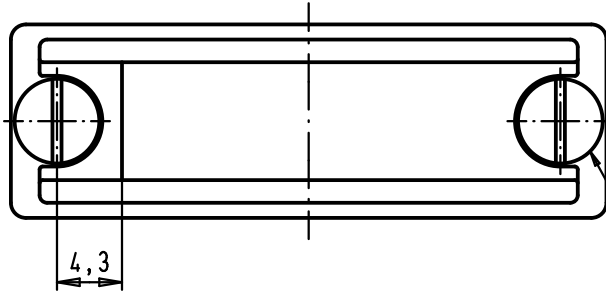
5

4

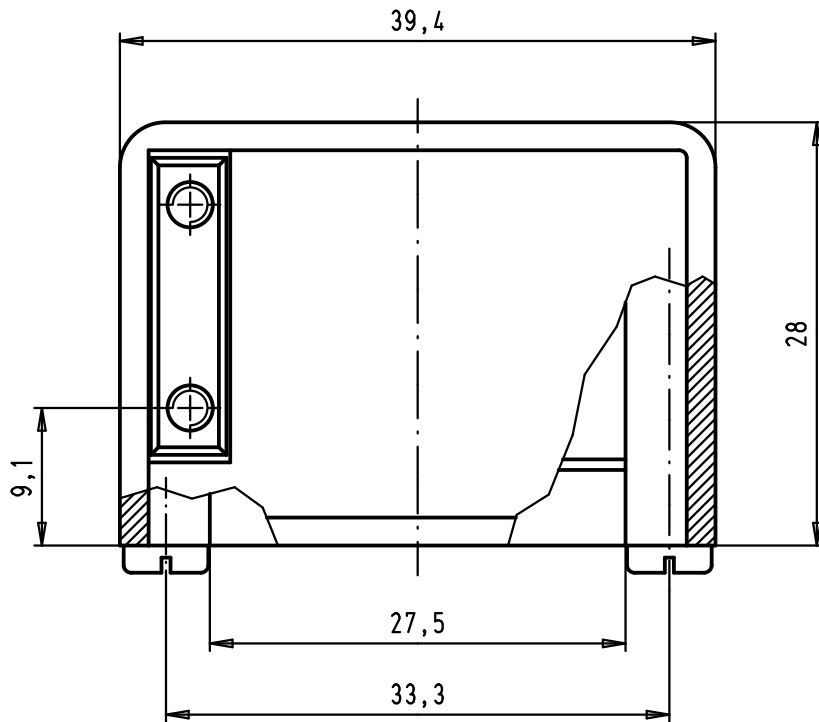
3

2

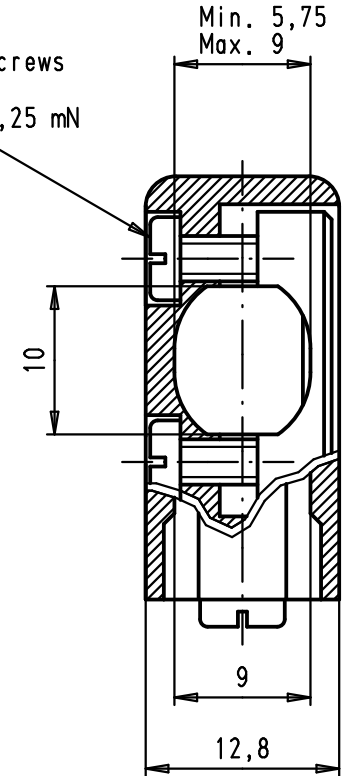
1



Slotted pan head tapping screws
DIN 7971-ST 2,9x6,5-F
screwing torque=35Ncm +/-5Ncm



Slotted pan head tapping screws
DIN 7971-ST 2,2 x 9,5-F
Maximum screwing torque= 0,25 mN



D

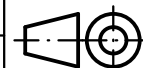
C

B

A

09 67 015 0513	Thermoplastic metallized
09 67 015 0511	Thermoplastic grey RAL 7032
Part number	Material

			Det.	28/03/02	CV
			Insp.	25-MAY-11	JMDV
EC03223	25-MAY-11	SD	Stand.		
34886	26/02/08	PK			
29760	28/03/02	CV			
Mod.	Det.	Name	HARTING EURL F-95972 Paris		



All Dim. in mm
Orig. Size DIN A 4



D-Sub, hood 15 poles
for spring or slide
locking, side cable entry

TB 09 67 015 051X

Sub.

Maßstab/
Scale

2:1

Blatt/ Page

1 / 1