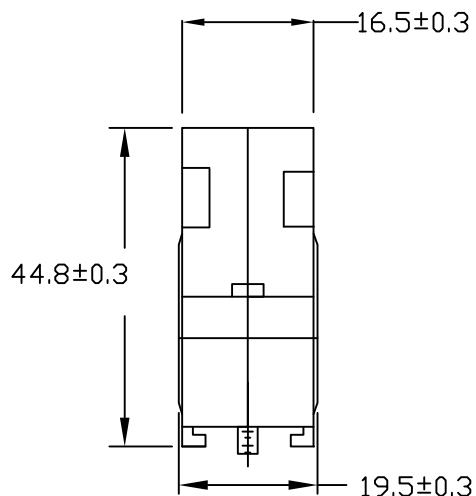
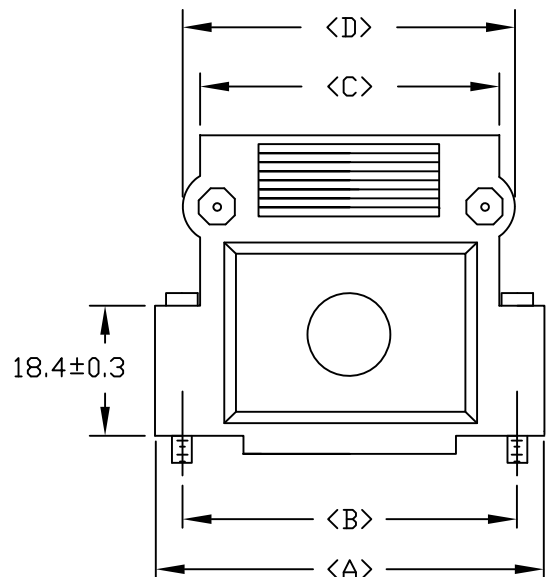


**BACKSHELL KIT INCLUDES:**  
 (2) BACKSHELL HALVES  
 (2) 4-40 MATING SCREWS  
 (2) HOUSING SCREWS  
 (2) HOUSING NUTS

DIMENSIONS [MM]					
SIZE	A ±0.3	B ±0.3	C ±0.3	D ±0.3	E ±0.3
9	33.5	25.0	19.3	24.0	9.7
15	41.0	33.3	28.1	33.0	21.6
25	54.5	47.1	41.5	46.2	34.3
37	71.3	63.5	58.0	63.0	51.0

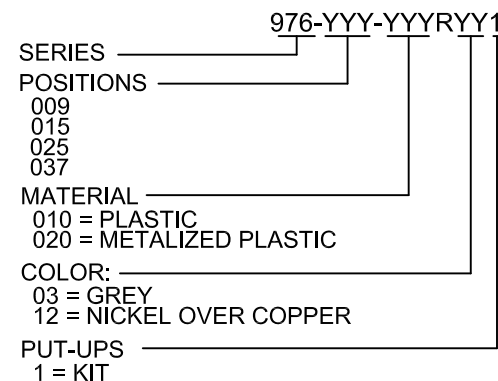


**METALIZED PLASTIC:**

**MATERIALS:** ABS HIGH TEMPERATURE PLASTIC UL 94HB  
**PLATING:** CHROME - ELECTROPLATED

**PLASTIC:**

**MATERIALS:** ABS HIGH TEMPERATURE PLASTIC UL 94HB - GREY



**RoHS COMPLIANT**

UNITS = [MM]

**DO NOT SCALE FROM DRAWING**



THESE DRAWINGS AND SPECIFICATIONS ARE THE PROPERTY OF NorComp AND SHALL NOT BE REPRODUCED, COPIED OR USED AS THE BASIS FOR THE MANUFACTURE OR SALE OF APPARATUS WITHOUT WRITTEN PERMISSION.

DRAWN:

J. KADEL

DATE:

09/05/2018

**NorComp**

SCALE: NTS

SHEET 1 OF 1

REV 3

DWG NO.

976-YYY-0Y0RYY1