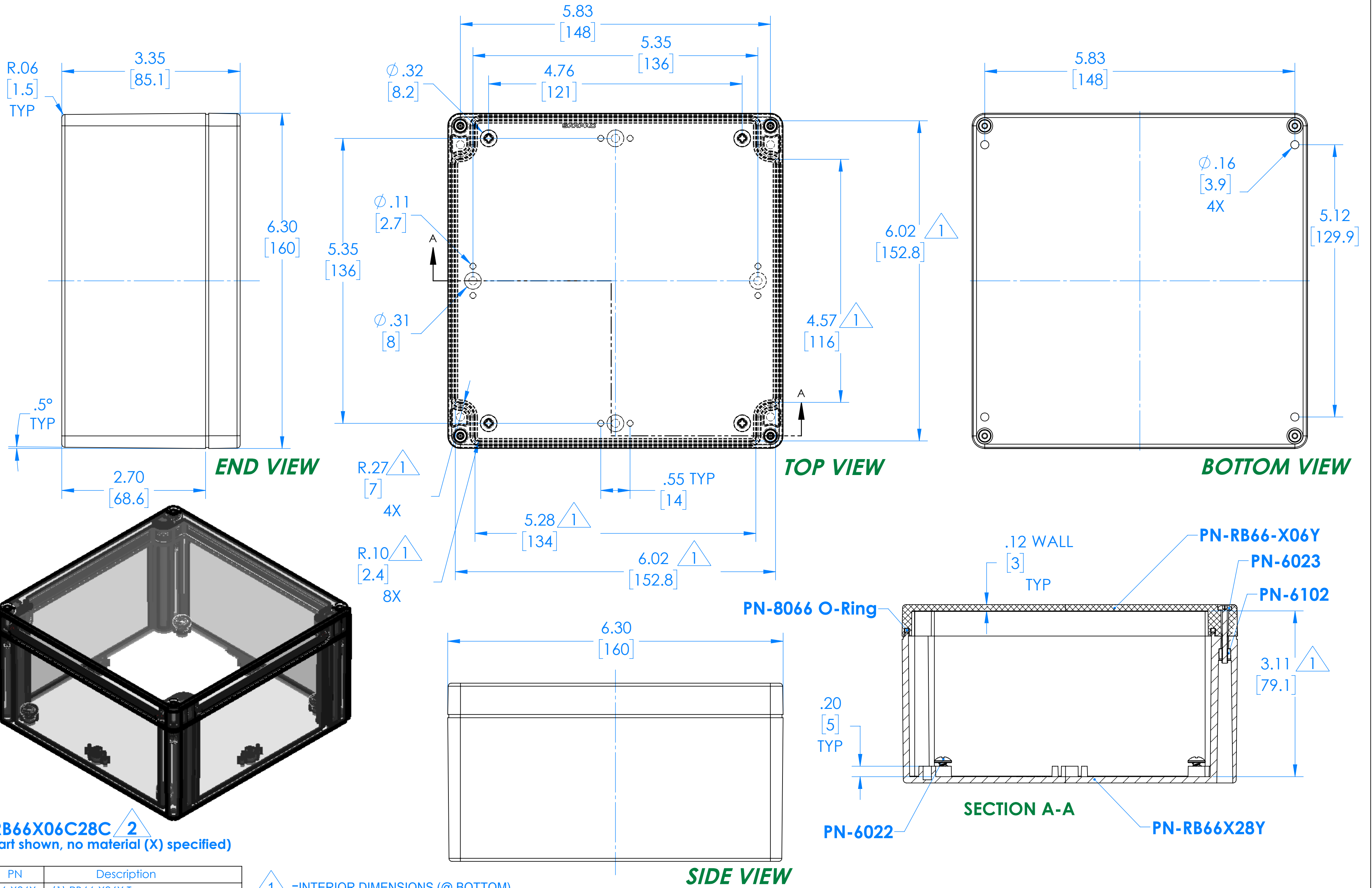


# SERPAC RB66X06Y28Y 2

Electronic Enclosures

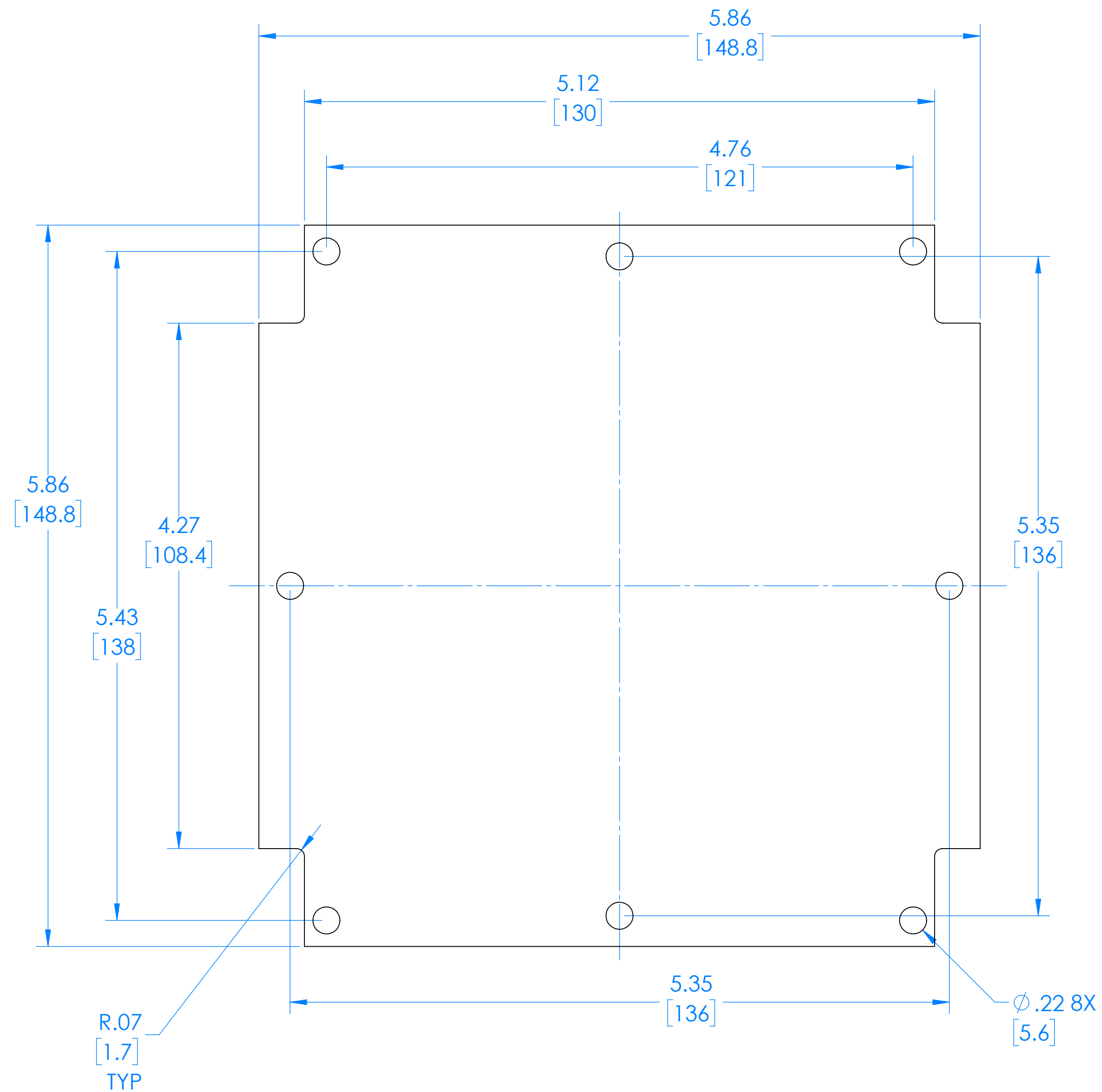


**RB66X06C28C 2**  
 (Part shown, no material (X) specified)

PN	Description
RB66-X06Y	(1) RB66-X06Y Top
RB66X28Y	(1) RB66X28Y Bottom
8066	(1) RB66 O-Ring
6023	(4) #4-40 Torx 10 Hd Screw
6022	(4) #10 High/Low Pan Hd x 1/4"
6102	(4) #4-40 Threaded Insert

1 = INTERIOR DIMENSIONS (@ BOTTOM)  
2 = STANDARD COLORS (Y) ARE: BLACK (B), CLEAR (C) AND GRAY (G)  
 TOPS AND BOTTOMS ALL POSSIBLE COMBINATIONS AVAILABLE  
 STANDARD MATERIALS (X) IS: POLYCARBONATE (P)

-Watertight enclosure meets or exceeds Nema 4 and or IP67.  
 DIMENSIONS in Inch [mm]



**(REFERENCE ONLY)**