

19 V - 90 W adapter with PFC for laptop computers using the L6563H and L6699

Data brief



Features

- Universal input mains range: from 90 to 264 Vac - frequency from 45 to 65 Hz
- Output voltage: 19 V at 4.75 A continuous operation
- Mains harmonics: meets EN61000-3-2 Class-D and JEITA-MITI Class-D
- No load mains consumption: in accordance with ENERGY STAR 2.0 for external power supplies
- Average efficiency: in accordance with ENERGY STAR 2.0 for external power supplies
- Light load efficiency: in accordance with ErP Lot 6 Tier2 requirements
- EMI: within EN55022-Class-B limits
- Safety: meets EN60950 standards
- Dimensions: 65 x 151 mm, 25 mm maximum component height
- PCB: double-side, 70 μ m, FR-4, mixed PTH/SMT
- RoHS compliant

Description

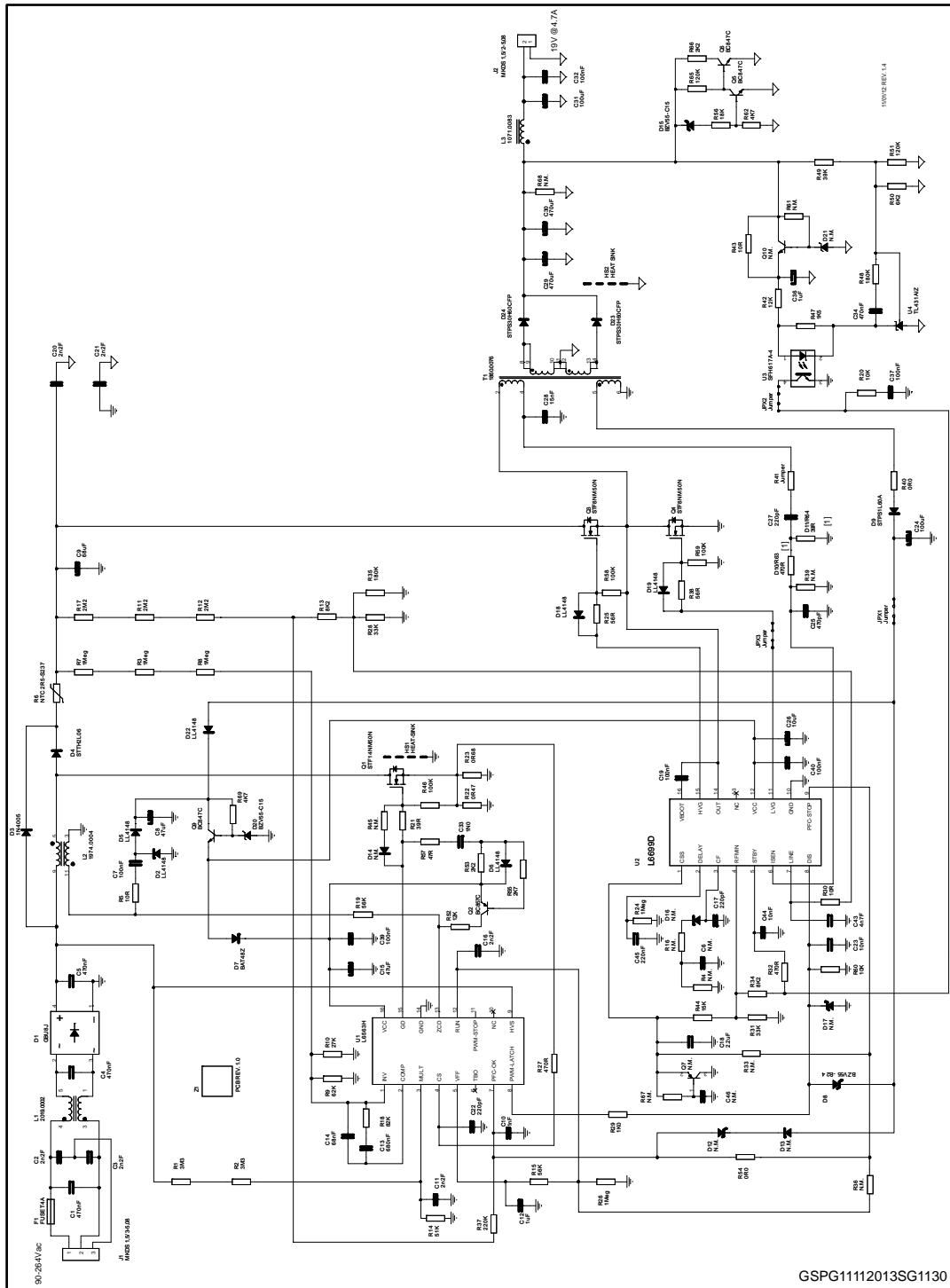
The STEVAL-ISA138V1 solution evaluation board is a 90 W, wide-range mains, power-factor corrected, AC-DC adapter. Its electrical specifications are tailored to a typical hi-end portable computer power adapter.

The architecture is based on a two-stage approach: a front-end PFC pre-regulator based on the L6563H TM PFC controller and a downstream LLC resonant half bridge converter using the new L6699 resonant controller. Thanks to the chipset used, the main features of this design are very high overall efficiency, compliance with ENERGY STAR® eligibility criteria (EPA rev. 2.0 EPS), high efficiency even at light load, and compliance with the new ErP Lot 6 Tier2 requirements. No load input power consumption is very low also, well within the international regulation limits.

The controller of the LLC stage is the L6699, integrating innovative functions such as self-adjusting adaptive dead-time, anti-capacitive mode protection and proprietary "safe-start" procedure to prevent hard switching at startup.

1 Schematic diagram

Figure 1: Schematic diagram



GSPG11112013SG1130



2 Revision history

Table 1: Document revision history

Date	Revision	Changes
15-Nov-2013	1	Initial release

Please Read Carefully

Information in this document is provided solely in connection with ST products. STMicroelectronics NV and its subsidiaries ("ST") reserve the right to make changes, corrections, modifications or improvements, to this document, and the products and services described herein at any time, without notice.

All ST products are sold pursuant to ST's terms and conditions of sale.

Purchasers are solely responsible for the choice, selection and use of the ST products and services described herein, and ST assumes no liability whatsoever relating to the choice, selection or use of the ST products and services described herein.

No license, express or implied, by estoppel or otherwise, to any intellectual property rights is granted under this document. If any part of this document refers to any third party products or services it shall not be deemed a license grant by ST for the use of such third party products or services, or any intellectual property contained therein or considered as a warranty covering the use in any manner whatsoever of such third party products or services or any intellectual property contained therein.

UNLESS OTHERWISE SET FORTH IN ST'S TERMS AND CONDITIONS OF SALE ST DISCLAIMS ANY EXPRESS OR IMPLIED WARRANTY WITH RESPECT TO THE USE AND/OR SALE OF ST PRODUCTS INCLUDING WITHOUT LIMITATION IMPLIED WARRANTIES OF MERCHANTABILITY, FITNESS FOR A PARTICULAR PURPOSE (AND THEIR EQUIVALENTS UNDER THE LAWS OF ANY JURISDICTION), OR INFRINGEMENT OF ANY PATENT, COPYRIGHT OR OTHER INTELLECTUAL PROPERTY RIGHT.

ST PRODUCTS ARE NOT DESIGNED OR AUTHORIZED FOR USE IN: (A) SAFETY CRITICAL APPLICATIONS SUCH AS LIFE SUPPORTING, ACTIVE IMPLANTED DEVICES OR SYSTEMS WITH PRODUCT FUNCTIONAL SAFETY REQUIREMENTS; (B) AERONAUTIC APPLICATIONS; (C) AUTOMOTIVE APPLICATIONS OR ENVIRONMENTS, AND/OR (D) AEROSPACE APPLICATIONS OR ENVIRONMENTS. WHERE ST PRODUCTS ARE NOT DESIGNED FOR SUCH USE, THE PURCHASER SHALL USE PRODUCTS AT PURCHASER'S SOLE RISK, EVEN IF ST HAS BEEN INFORMED IN WRITING OF SUCH USAGE, UNLESS A PRODUCT IS EXPRESSLY DESIGNATED BY ST AS BEING INTENDED FOR "AUTOMOTIVE, AUTOMOTIVE SAFETY OR MEDICAL" INDUSTRY DOMAINS ACCORDING TO ST PRODUCT DESIGN SPECIFICATIONS. PRODUCTS FORMALLY ESCC, QML OR JAN QUALIFIED ARE DEEMED SUITABLE FOR USE IN AEROSPACE BY THE CORRESPONDING GOVERNMENTAL AGENCY.

Resale of ST products with provisions different from the statements and/or technical features set forth in this document shall immediately void any warranty granted by ST for the ST product or service described herein and shall not create or extend in any manner whatsoever, any liability of ST.

ST and the ST logo are trademarks or registered trademarks of ST in various countries.

Information in this document supersedes and replaces all information previously supplied.

The ST logo is a registered trademark of STMicroelectronics. All other names are the property of their respective owners.

© 2013 STMicroelectronics - All rights reserved

STMicroelectronics group of companies

Australia - Belgium - Brazil - Canada - China - Czech Republic - Finland - France - Germany - Hong Kong - India - Israel - Italy
- Japan - Malaysia - Malta - Morocco - Philippines - Singapore - Spain - Sweden - Switzerland - United Kingdom - United
States of America

www.st.com