

SUMMARY

Wires

Coax 1

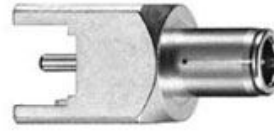


Image is for illustrative purpose only

Series 01
Termination type Male print PCB
IP rating 50
AWG wire size 0.00 - 0.00
Cable Ø 0.00 - 0.00 mm
Status active

Download

[Request a quote](#)
[PCB Eagle Pattern](#)
[PCB Altium Pattern](#)
[PCB KiCad Pattern](#)
[Catalog](#)

TECHNICAL DETAILS

Mechanics

Shell Style/Model FPA.01*: Straight plug, non-latching, for printed circuit
Keying Circular, male
Housing Material Brass (gold plated [ISO 27874]) shell, collet nut, brass latch sleeve and mid pieces
Weight 1.43 g

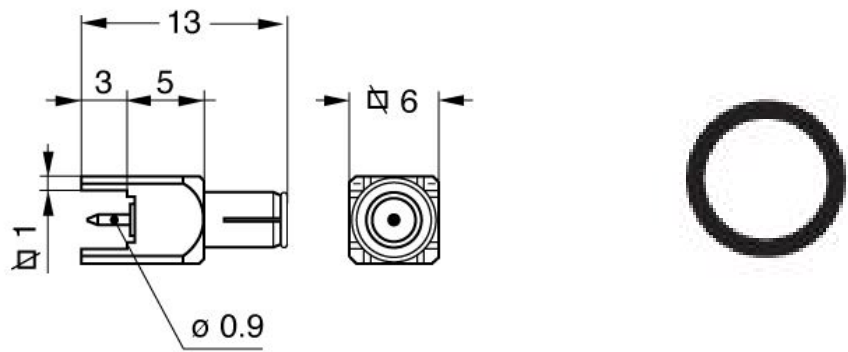
Performance

Configuration 01.250 : 1 Coax (50 Ohm)
Insulator
Rated Current

Others

Endurance (Shell): 1000 mating cycles

DRAWINGS



Dimensions

	A	K	L	N
mm.	6	3	13	5
in.	0,24	0,12	0,51	0,20

RECOMMENDED BY LEMO

Tools

LEMO products and services are provided "as is". LEMO makes no warranties or representations with regard to LEMO product & services or use of them, express, implied or statutory, including for accuracy, completeness, or security. The user is fully responsible for his products and applications using LEMO components.