



## Main

Range of Product	Harmony XVU
Product or Component Type	Modular tower light
Accessory / Separate Part Type	Fixing plate
Accessory / separate part category	Mounting and fixing accessory
Component name	XVU
Mounting diameter	2.36 in (60 mm)

## Complementary

Mounting Support	Wall mounted
Product compatibility	XVUZ05 XVUZ800 XVUZ400 XVUZ02Q XVUZ02
Material	Aluminium V-0 UL 94
Housing Colour	Black
[Us] Rated Supply Voltage	24 V AC/DC 110...240 V AC
Length	0.31 in (8 mm)
Net Weight	0.79 lb(US) (0.36 kg)

## Environment

Ambient Air Temperature for Storage	-40...158 °F (-40...70 °C)
Ambient air temperature for operation	-13...122 °F (-25...50 °C)
IP degree of protection	IP65
Product Certifications	CSA UL CE

## Ordering and shipping details

Category	22618 - XVU TOWER LIGHTS
Discount Schedule	XV
GTIN	3606480887154
Nbr. of units in pkg.	1
Package weight(Lbs)	17.32 oz (491 g)
Returnability	Yes
Country of origin	ID

## Packing Units

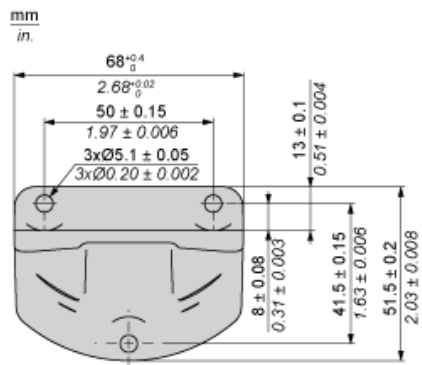
Unit Type of Package 1	PCE
Package 1 Height	2.00 in (50.68 mm)
Package 1 width	2.69 in (68.44 mm)
Package 1 Length	4.49 in (114.12 mm)

## Offer Sustainability

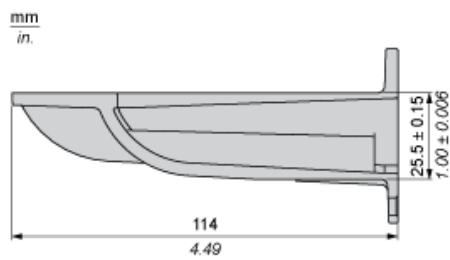
Sustainable offer status	Green Premium product
California proposition 65	WARNING: This product can expose you to chemicals including: Lead and lead compounds, which is known to the State of California to cause cancer and birth defects or other reproductive harm. For more information go to <a href="http://www.P65Warnings.ca.gov">www.P65Warnings.ca.gov</a>
REACH Regulation	<a href="#">REACH Declaration</a>
EU RoHS Directive	Pro-active compliance (Product out of EU RoHS legal scope) <a href="#">EU RoHS Declaration</a>
Mercury free	Yes
RoHS exemption information	<a href="#">Yes</a>
China RoHS Regulation	<a href="#">China RoHS Declaration</a>
Environmental Disclosure	<a href="#">Product Environmental Profile</a>
Circularity Profile	<a href="#">End Of Life Information</a>

Dimensions

Rear View



Side View



## Vertical Support Panel Drillings

