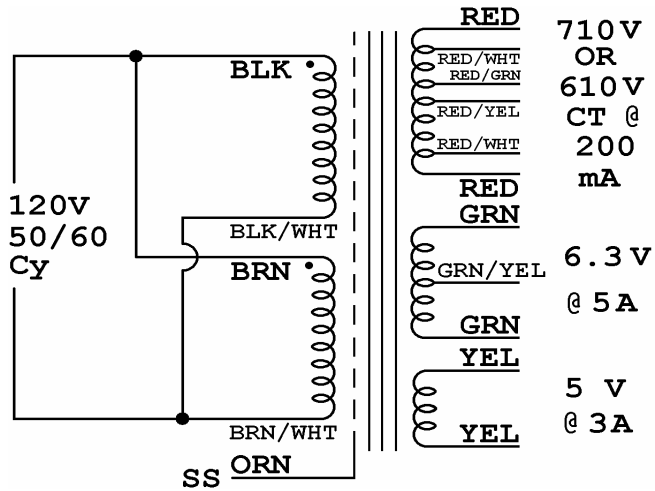
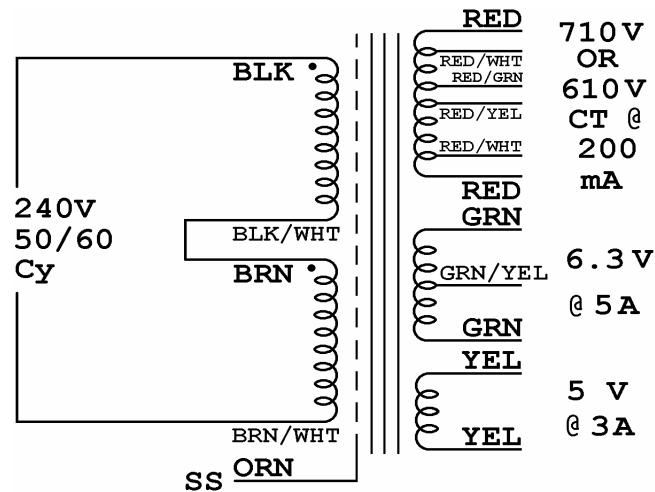


120V CONNECTIONS



240V CONNECTIONS



REVISIONS			
LTR	DESCRIPTION	DATE	APPROVED
A	REVISED MARKING	05/14/12	M. Sacketti
B	NEW B+ CHART	02/17/17	M. Sacketti

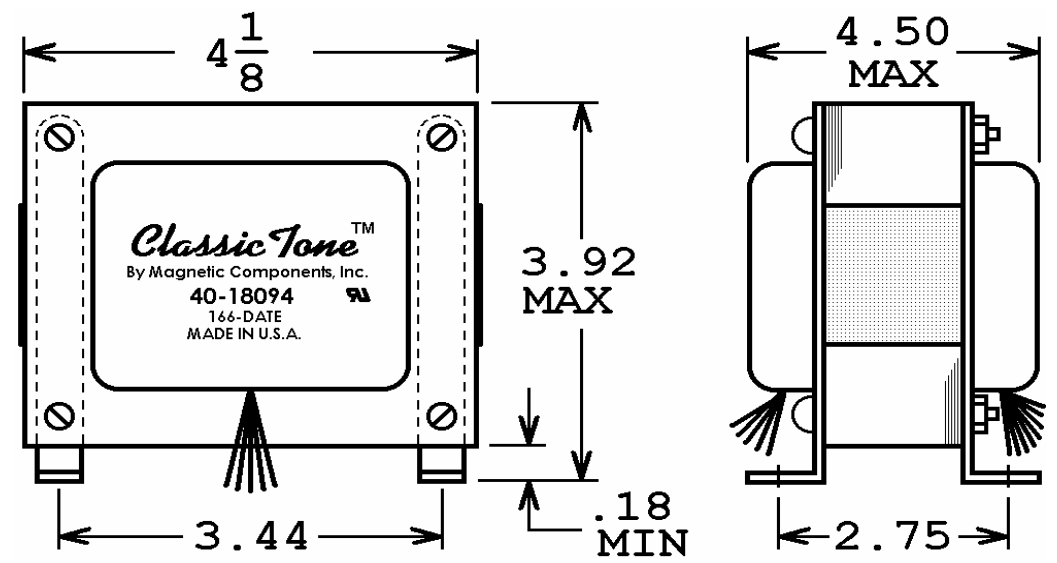


PLATE WINDING :

355V-0-355V (710V CT) RED-RED/YEL-RED OR (SEE TABLE FOR B+ VOLTS)
 OR 305V-0-305V (610V CT) RED/WHT-RED/YEL-RED/WHT (SEE TABLE FOR B+ VOLTS)
 BIAS : RED/GRN-RED/YEL = 50V
 GROUND ORN LEAD TO CHASSIS

MEASURED B+ VOLTAGES WITH 40µF CAPACITOR

TAPS	TUBE	100mA	150mA	200mA
RED	5U4GB	435V	412V	393V
RED	GZ34	459V	441V	425V
RED	5Y3GT	445V	---	---
RED/W	5U4GB	352V	332V	314V
RED/W	GZ34	375V	360V	345V
RED/W	5Y3GT	360V	---	---

SIGNATURES		DATE	MAGNETIC COMPONENTS, INC.		DIV :
DRAWN : <i>M. Sacketti</i>		23 APR 2012	TITLE		LOC : SCHILLER PK
CHECK :			POWER TRANSFORMER		
APPR : <i>M. Sacketti</i>		23 APR 2012	CAGE 50508	SIZE A	PART No. 40-18094
			SCALE NONE		REV B
			SHEET :		