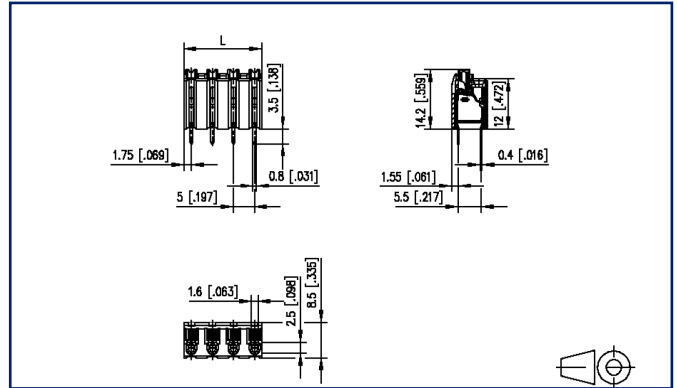


**Data sheet**  
**SR215xxVBNC AST215**

**Illustrations**



**Dimensional drawing**




See enlarged drawings at the end of document

**Product specification**

- spring clamp terminal block, THR solderable, double solder pins
- centerline 5.00 mm, direction of connection vertical 0°
- fittable without loss of poles
- color black
- Tape & Reel packaging possible
- push-button



## Technical Data

General Data			
Solder pin length	3.5 mm		
min. number of poles	2		
max. number of poles	16		
Insulating material class	CTI 600		
clearance/creepage dist.	3.4 mm		
Protection category	IP20		
Min. insul. strip length	8.5 mm		
Rated current	13.5 A		
Overvoltage category	III	III	II
Pollution degree	3	2	2
Rated voltage	250 V	630 V	630 V
Rated test voltage	4 kV	4 kV	4 kV
Terminal data			
rat.wiring solid AWGmax	0.08 mm <sup>2</sup> - 1.5 mm <sup>2</sup> / AWG 28 - AWG 16		
rat.wiring strand.AWGmax	0.08 mm <sup>2</sup> - 1.5 mm <sup>2</sup> / AWG 28 - AWG 16		
Approvals			
 V / A / AWG	300 / 10 / 28 - 16		
approval UL - File No.	E121004		
1.5 mm <sup>2</sup>	250 V / 17.5 A / T60		
Material			
insulating material	PA66/6T		
flammability class	V0		
spring material	Spring steel		
contact material	CuSn		
Contact surface	Sn		
Glow-Wire Flammability GWFI	960 °C acc. to IEC 60695-2-12		
Glow-Wire Flammability GWIT	775 °C acc. to IEC 60695-2-13		
REACH	compliant		
REACH - substance (SVHC)	none		
Climatic Data			
upper limit temperature	105 °C		
lower limit temperature	-40 °C		
general			

# U | Contact

Data sheet  
**SR215xxVBNC AST215**

Page 3/4

**P/N**  
**AST215xx**  
**xx=number of poles**  
2022/12/20  
Version: W

## Technical Data

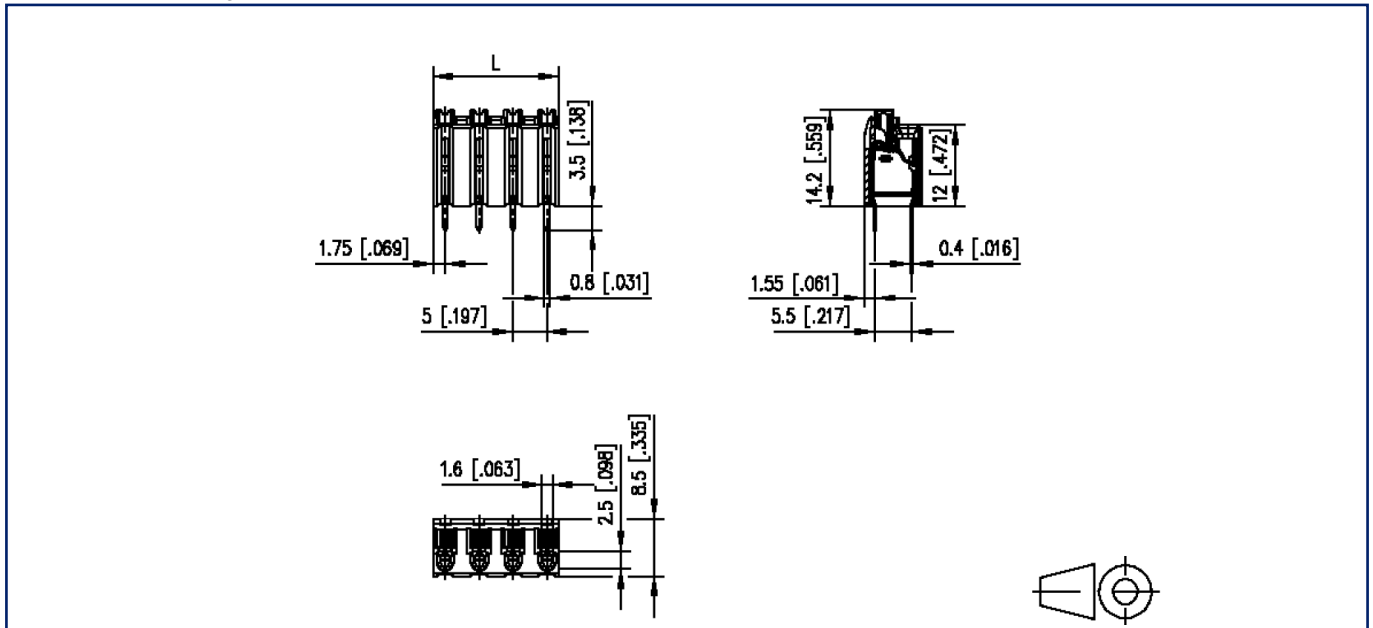
Tolerance	ISO 2768 -mH
Solderability	Acc. to IPC/JEDEC J-STD-020D-MSL 1

© 2022 METZ CONNECT - Technische Änderungen vorbehalten! Subject to modifications! Sous réserve de modifications techniques!



**Illustrations**

Dimensional drawing



$L = (\text{pole size} - 1) \times \text{centerline} + 3.5 \text{ mm } [0.138]$