



7dB 75ohm fixed attenuator BNC plug to BNC jack 4GHz rated 2 watt

## RF Fixed Attenuators Technical Data Sheet

**PE7438-7**

### Features

- DC to 4 GHz Frequency Range
- Attenuation 7 dB Typical
- Max Power 2 Watts (CW)
- VSWR < 1.35:1
- 75 Ohm Impedance

### Applications

- Wireless
- Video Signal Transmission
- Radar Systems
- Test and Measurement
- Commercial and Military Communication
- Avionics

### Description

Pasternack carries a wide range of fixed attenuators with a broad selection of attenuation levels, frequency ranges, and power dissipation ranges. RF microwave attenuators (also known as RF pads) lower the amplitude of a signal (attenuate) a known amount and can be used in a wide variety of applications. These attenuator pads are used when a signal needs to be reduced to protect measurement equipment or other circuitry, to extend the range of power meters and amplifiers, and to impedance match circuits by reducing the VSWR seen by adjacent components. RF attenuators can prevent signal overload in amplifiers, receivers and detectors, adjusting the signal level to a range that is optimal.

Few RF components are as commonly used as fixed coaxial attenuators, and Pasternack carries one of the largest in-stock varieties and ships them same day. The 7 dB Fixed Attenuator PE7438-7 is rated to 2 Watts and operates from DC to 4 GHz. The versatile coaxial package uses BNC male to BNC female connectors and is also REACH compliant.

### Electrical Specifications

| Description          | Minimum | Typical | Maximum | Units |
|----------------------|---------|---------|---------|-------|
| Frequency Range      | DC      |         | 4       | GHz   |
| Impedance            |         | 75      |         | Ohms  |
| Nominal Attenuation  |         | 7       |         | dB    |
| Attenuation Accuracy |         | 0.5     |         | dB    |
| VSWR                 |         |         | 1.35:1  |       |
| Input Power, CW      |         |         | 2       | Watts |

### Mechanical Specifications

|                           |                     |
|---------------------------|---------------------|
| <b>Size</b>               |                     |
| Length                    | 2.087 in [53.01 mm] |
| Width/Diameter            | 0.571 in [14.5 mm]  |
| Height                    | 0.571 in [14.5 mm]  |
| Weight                    | 0.05 lbs [22.68 g]  |
| Body Material and Plating | Brass, Tri-Metal    |

Click the following link (or enter part number in "SEARCH" on website) to obtain additional part information including price, inventory and certifications: [7dB 75ohm fixed attenuator BNC plug to BNC jack 4GHz rated 2 watt PE7438-7](#)



7dB 75ohm fixed attenuator BNC plug to  
BNC jack 4GHz rated 2 watt

## RF Fixed Attenuators Technical Data Sheet

**PE7438-7**

### Configuration

Design Fixed

### Connectors

| Description                       | Connector 1           | Connector 2           |
|-----------------------------------|-----------------------|-----------------------|
| Type                              | BNC Male              | BNC Female            |
| Contact Material and Plating      | Phosphor Bronze, Gold | Phosphor Bronze, Gold |
| Coupling Nut Material and Plating | Stainless Steel       |                       |
| Body Material and Plating         | Brass, Tri-Metal      | Brass, Tri-Metal      |

### Environmental Specifications

#### Temperature

Operating Range -55 to +125 deg C

**Compliance Certifications** (see [product page](#) for current document)

### Plotted and Other Data

Notes:

7dB 75ohm fixed attenuator BNC plug to BNC jack 4GHz rated 2 watt from Pasternack Enterprises has same day shipment for domestic and International orders. Our RF, microwave and millimeter wave products maintain a 99.4% availability and are part of the broadest selection in the industry.

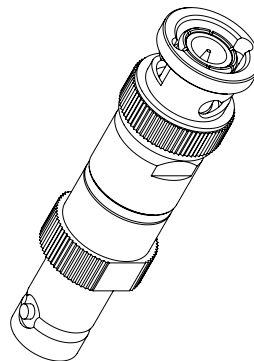
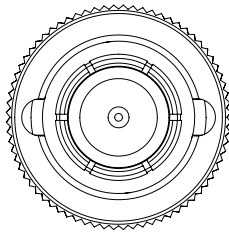
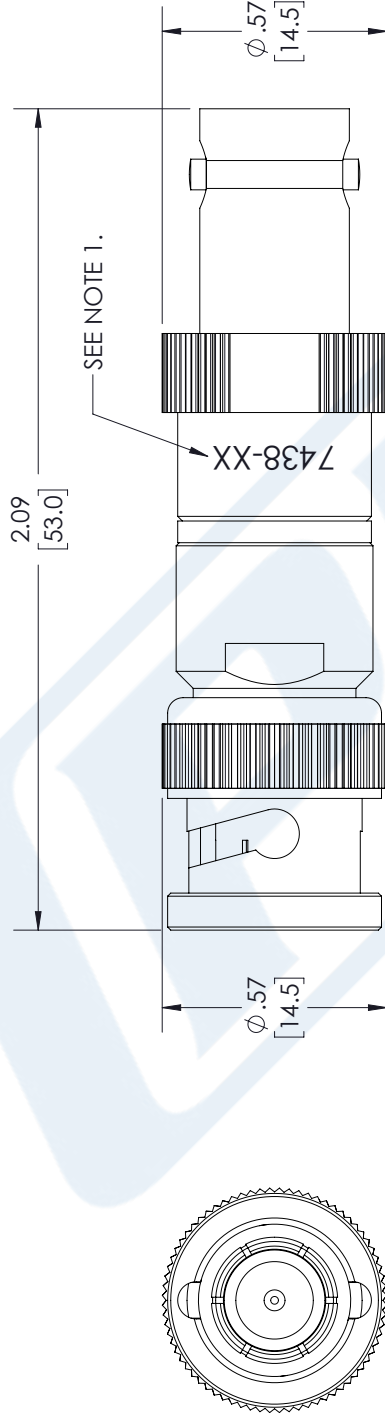
Click the following link (or enter part number in "SEARCH" on website) to obtain additional part information including price, inventory and certifications: [7dB 75ohm fixed attenuator BNC plug to BNC jack 4GHz rated 2 watt PE7438-7](#)

URL: <https://www.pasternack.com/7db-fixed-bnc-male-bnc-female-2-watts-attenuator-pe7438-7-p.aspx>

# PE7438-7 CAD Drawing

7dB 75ohm fixed attenuator BNC plug to BNC jack 4GHz rated 2 watt

| REVISIONS |                 |          |          |
|-----------|-----------------|----------|----------|
| REV.      | DESCRIPTION     | DATE     | APPROVED |
| A         | INITIAL RELEASE | 04/05/22 | S. PONG  |



NOTES:  
 1. ITEM IS MARKED WITH PART NUMBER WHERE SHOWN.  
 "-XX" DENOTES THE ATTENUATION VALUE,  
 EXAMPLE: 7438-1 = 1dB, 7438-10 = 10dB, ETC.

UNLESS OTHERWISE SPECIFIED  
 LEADING DIMENSIONS ARE INCHES  
 DIMENSIONS IN [ ] ARE MILLIMETERS

TOLERANCES:  
 .X = ±.2 [5.08] FRACTIONS ±.1/32  
 .XX = ±.02 [.51] ±.1/32  
 .XXX = ±.005 [.13] ANGLES ± 1°

CABLE LENGTH (L) TOLERANCES:  
 L ≤ 12 [305] = +1 [25] / -0  
 12 [305] < L ≤ 60 [1524] = +2 [51] / -0  
 60 [1524] < L ≤ 120 [3048] = +4 [102] / -0  
 120 [3048] < L ≤ 300 [7620] = +6 [152] / -0  
 300 [7620] < L = +5%L / -0

ALL DIMENSIONS SHOWN  
 ARE FOR REFERENCE ONLY.

**PE PASTERNAK**  
 an INFINITO brand

Pasternack Enterprises, Inc.  
 P. O. Box 16759, Irvine, CA 92623.  
 Phone: 1.949.261.1920 | 1.866.727.8376  
 Fax: 1.949.261.7451  
 Website: www.pasternack.com  
 E-mail: sales@pasternack.com

THIRD-ANGLE PROJECTION

THE INFORMATION AND DESIGN IN THIS DOCUMENT IS THE PROPERTY OF PASTERNAK CORPORATION. ALL RIGHTS RESERVED.

SHEET 1 OF 1  
 SCALE N/A

REV A

ITEM NO. PE7438  
 DRAWN BY AKRESOWSK  
 CAGE CODE A  
 SIZE A

THESE COMMODITIES, TECHNOLOGY OR SOFTWARE WERE EXPORTED FROM THE UNITED STATES IN ACCORDANCE WITH THE EXPORT ADMINISTRATION REGULATIONS. DIVERSION CONTRARY TO U.S. LAW PROHIBITED.