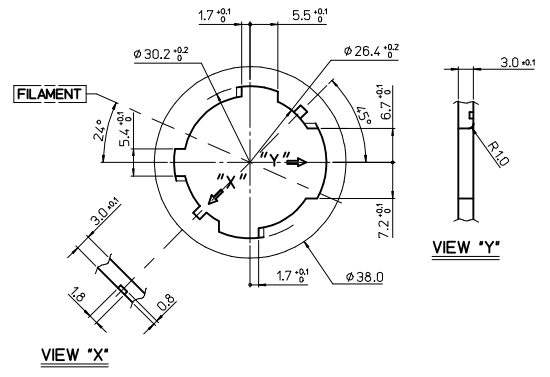
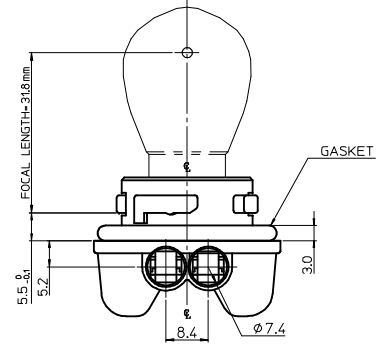
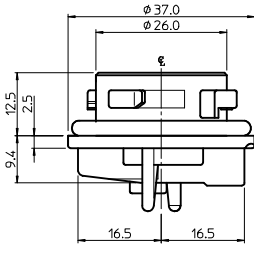
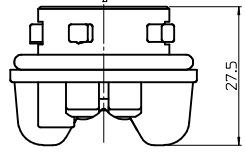
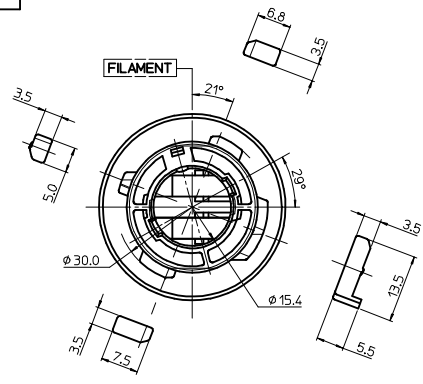
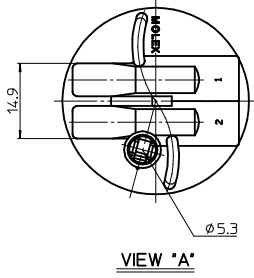


- NOTES  
 1. FOCAL LENGTH -31.8mm  
 2. PRODUCT SPECIFICATION: PS-35842-001  
 3. APPLICABLE BULB CAP: P21/5WBAY15Ø  
 4. MATES WITH

NO.	DESCRIPTION	MATERIAL	ORDER NO.	REMARK
③	POSITIVE TERMINAL	PHOSPHOR BRONZE	35464-8000	UNPLATED
④	POSITIVE WIRE SEAL	SILICONE	35903-0096	BROWN
⑤	EARTH TERMINAL	PHOSPHOR BRONZE	35465-8000	UNPLATED
⑥	EARTH WIRE SEAL	SILICONE	35903-0106	BLUE

<PART LIST>

NO.	DESCRIPTION	MATERIAL	USAGE	REMARK
①	DOUBLE SOCKET	PA66 M/F	1	A TYPE
②	SEAL GASKET	NBR	1	BLACK

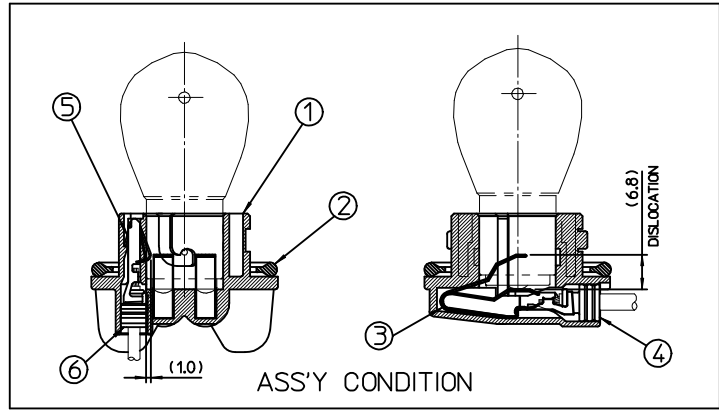


↑  
"A"

<TABLE 1>

MATERIAL NO.	ORDER NO.	COLOR
358421301	35842-1301	BLACK
358421305	35842-1305	GRAY
358421306	35842-1306	WHITE
358421307	35842-1307	BROWN

MOUNTING INTERFACE  
(MI-4)



CHANGED OF NOTES  
 EC NO: KOR2010-0023  
 DRW: KEOKIM 2009/08/18  
 CHKD: BCY00N 2009/08/19  
 APPR: YUNSIKKIM 2009/08/20

REV	DESCRIPTION
1	

QUALITY SYMBOLS  
 ▽=0  
 ∇=0

GENERAL TOLERANCES (UNLESS SPECIFIED)

	mm	INCH
4 PLACES	± ---	± ---
3 PLACES	± ---	± ---
2 PLACES	± 0.15	± ---
1 PLACE	± 0.25	± ---
ANGULAR ± 2 °		

DRAFT WHERE APPLICABLE  
MUST REMAIN WITHIN DIMENSIONS

DIMENSION STYLE  
MM ONLY

SCALE  
1:1

DESIGN UNITS  
METRIC

THIRD ANGLE PROJECTION

DRAWN BY  
YSIKKIM

DATE  
1999/05/13

CHECKED BY  
BKCHOI

DATE  
1999/05/14

APPROVED BY  
CWLEE

DATE  
1999/05/14

MATERIAL NO.  
SEE TABLE 1

SIZE  
A3

TITLE  
SEALED PT BULB SOCKET  
DOUBLE HOUSING ASS'Y  
(A-TYPE)

MOLEX INCORPORATED

DOCUMENT NO.  
SD-35842-001

SHEET NO.  
1 OF 1

THIS DRAWING CONTAINS INFORMATION THAT IS PROPRIETARY TO MOLEX INCORPORATED AND SHOULD NOT BE USED WITHOUT WRITTEN PERMISSION