

## Han 200A PE axial module, male 25-40mm<sup>2</sup>

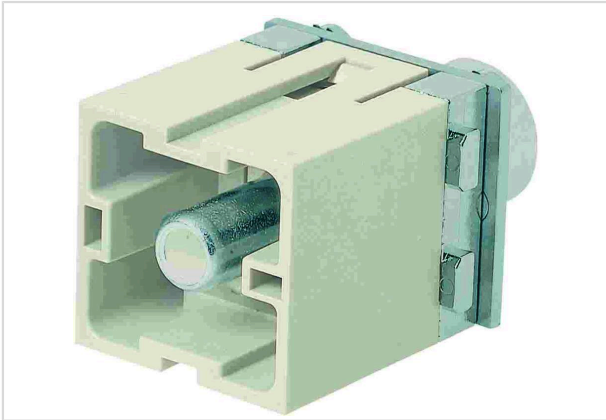


Image is for illustration purposes only. Please refer to product description.

Part number	09 14 001 2668
Specification	Han 200A PE axial module, male 25-40mm <sup>2</sup>
HARTING eCatalogue	<a href="https://b2b.harting.com/09140012668">https://b2b.harting.com/09140012668</a>

### Identification

Category	Modules
Series	Han-Modular <sup>®</sup>
Type of module	Han <sup>®</sup> 200 A PE module
Size of the module	Double module

### Version

Termination method	Axial screw termination
Gender	Male
Number of contacts	1

### Technical characteristics

Conductor cross-section	25 ... 40 mm <sup>2</sup>
Insulation resistance	>10 <sup>10</sup> Ω
Contact resistance	≤0.2 mΩ
Stripping length	16 mm
Tightening torque	8 Nm
Limiting temperature	-40 ... +125 °C
Mating cycles	≥500

### Material properties

Material (insert)	Polycarbonate (PC)
Colour (insert)	RAL 7032 (pebble grey)
Material (contacts)	Copper alloy



Pushing Performance  
Since 1945

## Material properties

Surface (contacts)	Silver plated
Material flammability class acc. to UL 94	V-0
RoHS	compliant with exemption
RoHS exemptions	6(c): Copper alloy containing up to 4 % lead by weight
ELV status	compliant with exemption
China RoHS	50
REACH Annex XVII substances	Not contained
REACH ANNEX XIV substances	Not contained
REACH SVHC substances	Yes
REACH SVHC substances	Lead
ECHA SCIP number	5dbb3851-b94e-4e88-97a1-571845975242
California Proposition 65 substances	Yes
California Proposition 65 substances	Lead Nickel
Fire protection on railway vehicles	EN 45545-2 (2020-08)
Requirement set with Hazard Levels	R22 (HL 1-3) R23 (HL 1-3)

## Specifications and approvals

Specifications	IEC 60664-1 IEC 61984
Approvals	DNV GL
UL / CSA	UL 1977 ECBT2.E235076 UL 2237 PVVA2.E318390 CSA-C22.2 No. 182.3 PVVA8.E318390

## Commercial data

Packaging size	1
Net weight	98.88 g
Country of origin	Germany
European customs tariff number	85366990
GTIN	5713140019164
eCl@ss	27440217 Module for industrial connectors (power/signals)