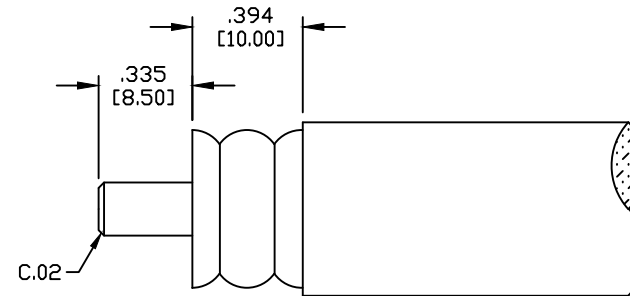
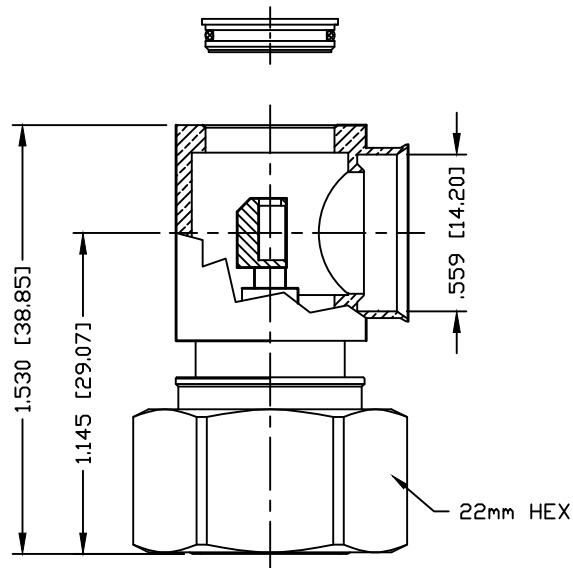


PART NO.

**RFD-43MRA-H1**

REV	DESCRIPTION	DWN	DATE	APPROVED
-	ENGINEERING RELEASE	CZS	10/10/19	JDMc

RECOMMENDED STRIPPING DIMENSIONSSPECIFICATIONS:

INTERFACE: IEC61169-54

IMPEDANCE: 50 Ohms

FREQUENCY RANGE: 0-3 GHz

VSWR: &lt;1.25

3rd ORDER IM:  $\leq -160\text{dBc}$  (RELATIVE TO CARRIER)

3rd ORDER IM TEST METHOD: 2x43dBm CARRIERS

WORKING VOLTAGE: 1500V

TEMPERATURE RANGE: -40°C TO 85°C

MECHANICAL DURABILITY: 500 CYCLES

FOR LCF12-50JFN, LDF4-50A, ICA12-50JPL &amp; PD353784 CABLE

USE OF CABLE TRIM TOOL IS RECOMMENDED  
USE COMPATIBLE TRIM TOOL SUCH AS TRIM-SET-C12-C02

8	SHELL	1	BRASS	WHITE BRONZE
7	PRESS CAP	1	BRASS	WHITE BRONZE
6	O-RING	1	SILICONE	----
5	O-RING	1	SILICONE	----
4	RETAINING RING	1	SST	----
3	PIN	1	BRASS	SILVER
2	INSULATOR	1	PTFE	----
1	BODY	1	BRASS	WHITE BRONZE
#	DESCRIPTION	QTY	MATERIAL	FINISH

CUSTOMER OUTLINE DRAWING	
ALL DIMENSIONS ARE REFERENCE ONLY	
UNLESS OTHERWISE SPECIFIED: DIMENSIONS ARE IN INCHES AND [MILLIMETERS]	
DRAWN C. ZUNIGA	10/10/19
CHECKED	
ORJ DRAWN C. ZUNIGA	10/10/19

**RoHS**  
COMPLIANT

PROPRIETARY AND CONFIDENTIAL  
 THIS DRAWING CONTAINS  
 INFORMATION PROPRIETARY TO  
 RF INDUSTRIES. ANY  
 UNAUTHORIZED USE OF THIS  
 DRAWING IS EXPRESSLY  
 PROHIBITED WITHOUT WRITTEN  
 PERMISSION FROM RF  
 INDUSTRIES. ANY VIOLATION IS  
 PUNISHABLE UNDER U.S.  
 COPYRIGHT LAWS.

**RFconnectors**  
 DIVISION OF RF INDUSTRIES, LTD. (858) 549-6345 FAX  
 RFINDUSTRIES.COM  
 7610 MIRAMAR RD.  
 SAN DIEGO, CA 92126  
 (858) 549-6340

**4.3/10 MALE, SOLDER**  
 FOR 1/2" FLEXIBLE CORRUGATED CABLE

CABLE GROUP H1	DWG # <b>RFD-43MRA-H1</b>	REVISION ---
FORMAT A	SCALE NTS	CONTROL # 000000
		SHEET 1 OF 1