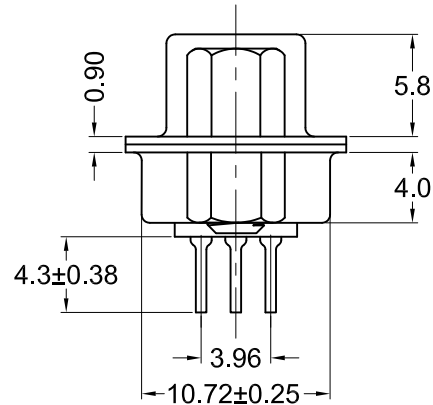
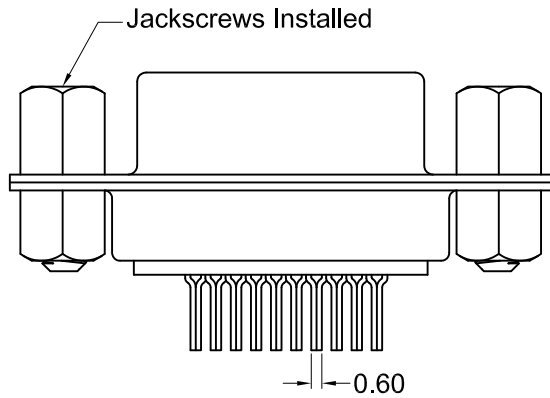


Recommended PCB Layout
(Top View)



Material and Finish

- Shell: Steel, nickel plated
- Insulator: PBT thermoplastic with glass-fiber reinforcement, UL94V-0 rated
Color: Black
- Contact Material:
Socket - Brass
- Contact Plating Options:
Standard: gold flash on mating end, tin on termination end, nickel underplate on entire contact
15 Option: 15u" gold on mating end, tin on termination end, nickel underplate on entire contact
30 Option: 30u" gold on mating end, tin on termination end, nickel underplate on entire contact

Electrical Specifications

- Rated Current: 1.5A
- Rated Voltage: 30Vac
- Insulation Resistance:
more than 1000 megohms at 500V DC
- Contact Resistance:
13 milliohms max.
- Dielectric Withstanding Voltage:
1000V for 1 minute
- Operating Temperature:
-55°C to +75°C

Part Number	Contact Area Plating Finish
K86X-ED-15S-KJ	Gold Flash (standard)
K86X-ED-15S-KJ15	15u" Gold (15 option)
K86X-ED-15S-KJ30	30u" Gold (30 option)

Tolerances
X.X ± 0.25
X.XX ± 0.15
Unless Stated Otherwise

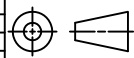


REV.	DATE	DESCRIPTION	REV. BY	CHK. BY	DRAWN BY	DATE
A1	03/30/09	New Drawing	S. Vien	H. MA	S. Vien	02/23/09
A2	10/9/14	ECO#14-028	H. MA	P. DalCanto		
A3	12/31/17	ECO #17-033	J. Elbanna	C. Furumasu		

K86X-ED-15S-KJ

D-Sub, HD, Vertical, RoHS Compliant

15 Pin Female, JS, Threaded Bushings



UNITS
mm