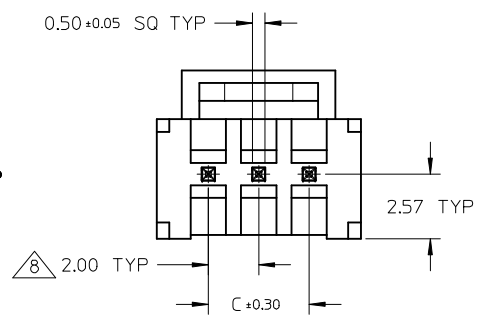
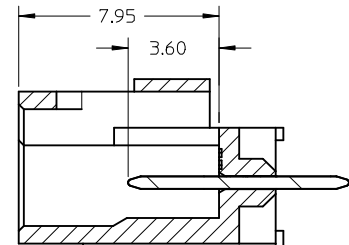
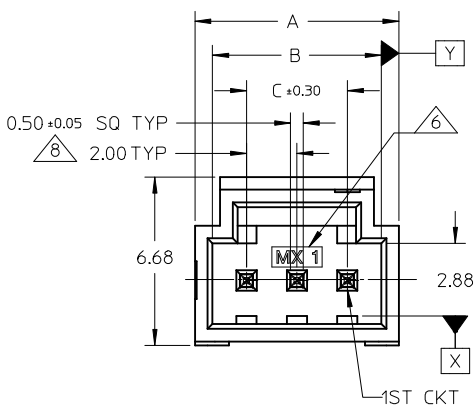
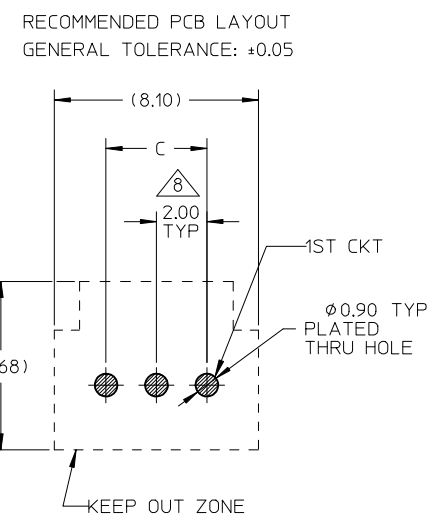
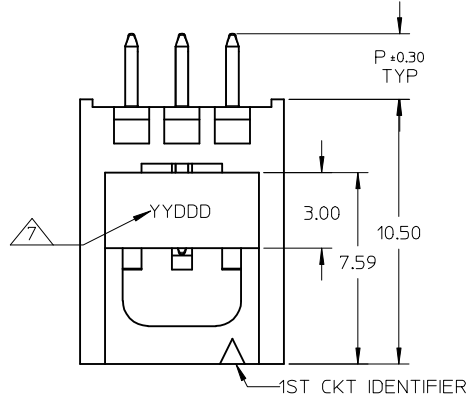


10 9 8 7 6 5 4 3 2 1

CKT SIZE	DIMENSION				
	A	B	C	D	E
2	6.10	4.70	2.00	7.60	6.40
3	8.10	6.70	4.00	9.60	8.40
4	10.10	8.70	6.00	11.60	10.40
5	12.10	10.70	8.00	13.60	12.40
6	14.10	12.70	10.00	15.60	14.40
7	16.10	14.70	12.00	17.60	16.40
8	18.10	16.70	14.00	19.60	18.40
9	20.10	18.70	16.00	21.60	20.40
10	22.10	20.70	18.00	23.60	22.40



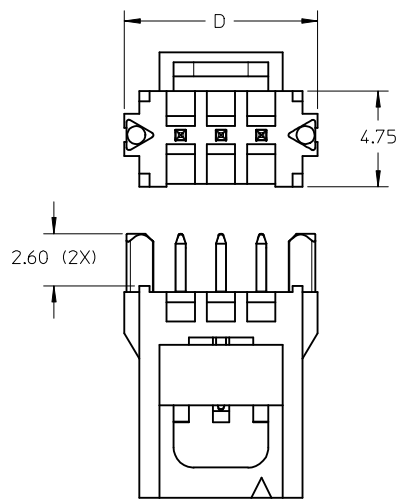
SECTION Z-Z

- NOTES:
- MATERIAL:
HOUSING: LIQUID CRYSTALLINE POLYMERS (LCP), GLASS FILLED, UL94V-0, BLACK.
PIN: COPPER ALLOY, 0.50MM SQ
PICK & PLACE CAP: POLYAMIDE (PA), GLASS FILLED, UL94V-0, BLACK.
 - PLATING: SEE TABLE.
 - PRODUCT SPECIFICATION: PS-151062-0001.
 - PACKAGING SPECIFICATION: PK-151062-0001.
 - TO BE MATED WITH MOLEX RECEPTACLES SERIES: 151100.
 - MANUFACTURING ID & CAVITY ID SHALL BE LOCATED APPROXIMATELY AS SHOWN.
 - DATE CODE: YYDDD IS LOCATED APPROXIMATELY AS SHOWN.
 - PITCH TOLERANCE SHALL BE NON ACCUMULATED.

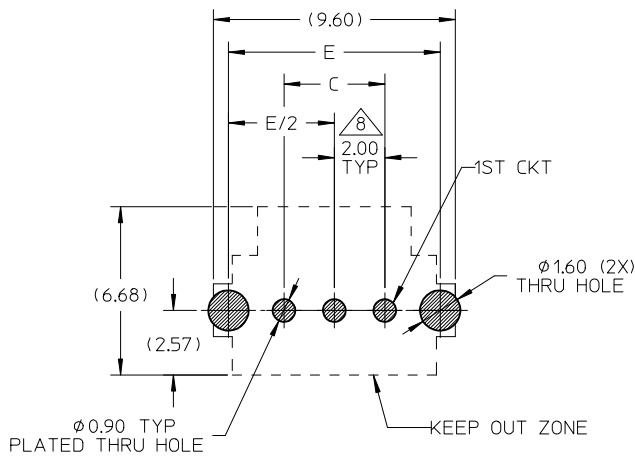
RELEASE TO REV A EC NO: S2016-0665 DRWN:FCS00 2016/01/27 CHKD:CGOH 2016/02/16 APPR:KHLIM 2016/02/16	QUALITY SYMBOLS $F_A=0$ $F_C=0$ $F_P=0$	GENERAL TOLERANCES (UNLESS SPECIFIED)		DIMENSION STYLE MM ONLY		SCALE NTS	DESIGN UNITS METRIC	THIRD ANGLE PROJECTION			
		mm	INCH	DRAWN BY	DATE	TITLE					
		4 PLACES ± --- ± ---	FCS00	2014/12/16	SALES DRAWING						
		3 PLACES ± --- ± ---	FCS00	2014/12/16	PCB HEADER, VERTICAL TH						
2 PLACES ± 0.20 ± ---	APPROVED BY	DATE	SINGLE ROW MILLIGRID								
1 PLACE ± --- ± ---	KHLIM	2015/07/02									
0 PLACE ± --- ± ---	MATERIAL NO.	DOCUMENT NO.	SD-151063-0001								
DRAFT WHERE APPLICABLE MUST REMAIN WITHIN DIMENSIONS		SIZE A3	THIS DRAWING CONTAINS INFORMATION THAT IS PROPRIETARY TO MOLEX INCORPORATED AND SHOULD NOT BE USED WITHOUT WRITTEN PERMISSION								
								SHEET NO. 1 OF 3			

9 8 7 6 5 4 3 2 1

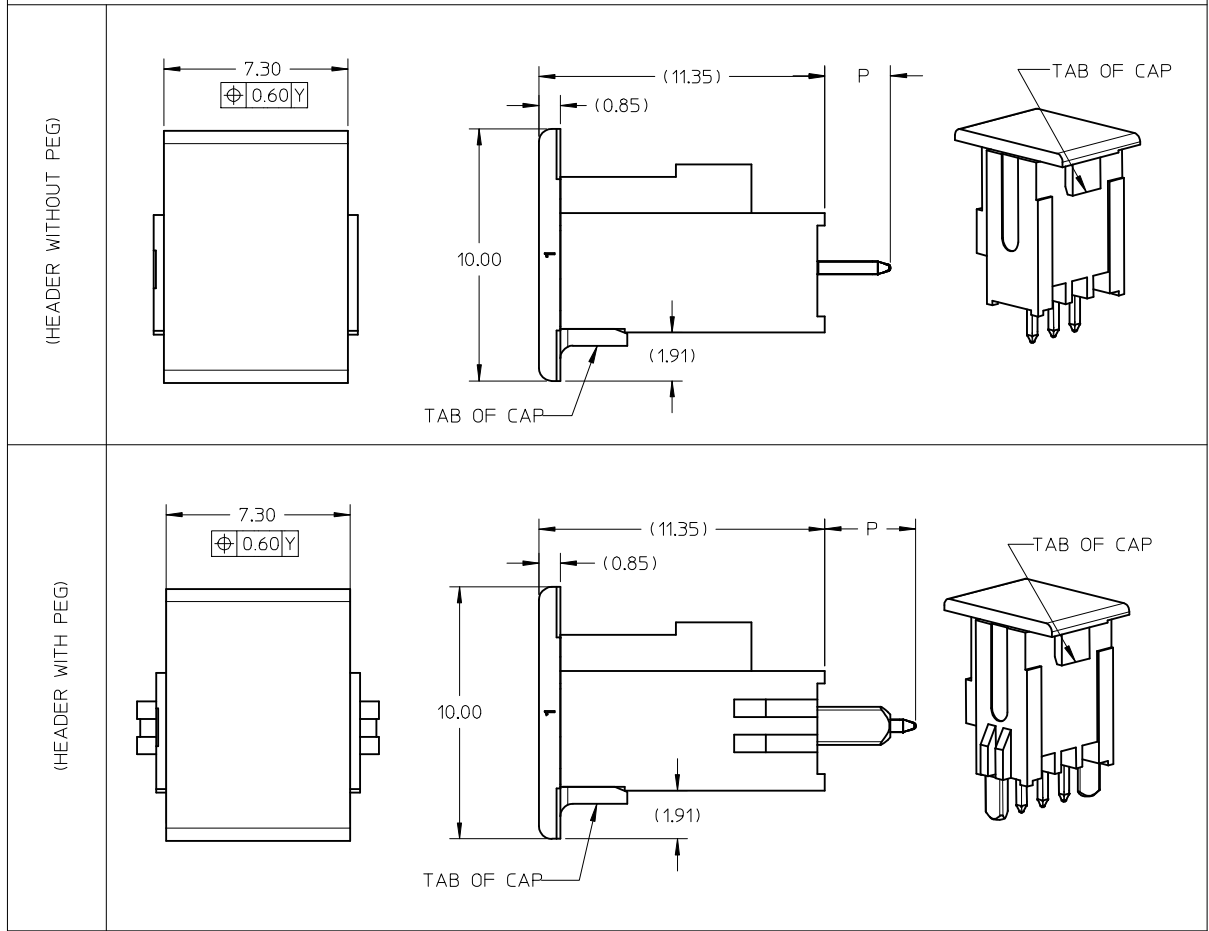
WITH PEG



RECOMMENDED PCB LAYOUT
GENERAL TOLERANCE: ±0.05



OPTIONAL PICK & PLACE CAP



RELEASE TO REV A EC NO: S2016-0665 DRW: FCS00 CHKD: CGOH APPR: KHL IM 2016/01/27 2016/02/16 2016/02/16	QUALITY SYMBOLS $\nabla_A = 0$ $\nabla_C = 0$ $\nabla_P = 0$	GENERAL TOLERANCES (UNLESS SPECIFIED)		DIMENSION STYLE MM ONLY		SCALE NTS	DESIGN UNITS METRIC	THIRD ANGLE PROJECTION		
			mm	INCH	DRAWN BY	DATE	TITLE			
		4 PLACES	± ---	± ---	FCS00	2014/12/16	SALES DRAWING PCB HEADER, VERTICAL TH SINGLE ROW MILLIGRID molex			
		3 PLACES	± ---	± ---	CHECKED BY	DATE				
2 PLACES	± 0.20	± ---	FCS00	2014/12/16	DOCUMENT NO. SD-151063-0001 SHEET NO. 2 OF 3					
1 PLACE	± ---	± ---	APPROVED BY	DATE						
0 PLACE	± ---	± ---	KHL IM	2015/07/02	MATERIAL NO. SEE TABLE					
DRAFT WHERE APPLICABLE MUST REMAIN WITHIN DIMENSIONS		ANGULAR ± 3 °		SIZE A3		THIS DRAWING CONTAINS INFORMATION THAT IS PROPRIETARY TO MOLEX INCORPORATED AND SHOULD NOT BE USED WITHOUT WRITTEN PERMISSION				

ASSEMBLY

151063 - X X X X

02 - 10	2-10 CKT W/O PEG
52 - 60	2-10 CKT WITH PEG
	52 = 2CKT
	53 = 3CKT
	.
	59 = 9CKT
	60 = 10CKT

PLATING		CAP VERSION
0	FULL TIN	WITHOUT CAP
1	Au FLASH	
2	0.38 Au	
3	0.75 Au	
4	FULL TIN	WITH CAP
5	Au FLASH	
6	0.38 Au	
7	0.75 Au	
8	OTHER OPTIONS	
9		

	P TAIL LENGTH	PACKAGING
0	2.60	TAPE & REEL
1	3.60	
2	4.60	
3	2.60	
4	3.60	TUBE
5	4.60	
6		OTHER OPTIONS
7		
8		
9		

PLATING OPTIONS	
-*0** & -*4**	2.50µm MIN. TIN ON CONTACT AND 2.00µm MIN. TIN (MATTE) ON SOLDERTAIL OVER 1.25µm MIN. NICKEL OVERALL.
-*1** & -*5**	0.05µm MIN. GOLD PLATE ON CONTACT AND 2.00µm MIN. TIN (MATTE) ON SOLDERTAIL OVER 1.25µm MIN. NICKEL OVERALL.
-*2** & -*6**	0.38µm MIN. GOLD PLATE ON CONTACT AND 2.00µm MIN. TIN (MATTE) ON SOLDERTAIL OVER 1.25µm MIN. NICKEL OVERALL.
-*3** & -*7**	0.75µm MIN. GOLD PLATE ON CONTACT AND 2.00µm MIN. TIN (MATTE) ON SOLDERTAIL OVER 1.25µm MIN. NICKEL OVERALL.

PACKAGING OPTION AND CAP	
TAPE & REEL	151000-4***
PACKAGING TUBE	151000-3015 (WITHOUT CAP) 151000-3018 (WITH CAP)
CAP	151088-0001
P TAIL LENGTH	RECOMMENDED PCB THICKNESS
2.60	1.50
3.60	2.50
4.60	3.50

RELEASE TO REV A EC NO: S2016-0665 DRWN:FCS00 2016/01/27 CHKD:CGOH 2016/02/16 APPR:KHLIM 2016/02/16	REV DESCRIPTION A	QUALITY SYMBOLS	GENERAL TOLERANCES (UNLESS SPECIFIED)	DIMENSION STYLE	SCALE	DESIGN UNITS	THIRD ANGLE PROJECTION	
		$F_A=0$ $F_G=0$ $F_P=0$	mm INCH 4 PLACES ± --- ± --- 3 PLACES ± --- ± --- 2 PLACES ± 0.20 ± --- 1 PLACE ± --- ± --- 0 PLACE ± --- ± ---	MM ONLY	NTS	METRIC	TITLE SALES DRAWING PCB HEADER, VERTICAL TH SINGLE ROW MILLIGRID	
		ANGULAR ± 3 ° DRAFT WHERE APPLICABLE MUST REMAIN WITHIN DIMENSIONS	DRAWN BY DATE FCS00 2014/12/16 CHECKED BY DATE FCS00 2014/12/16 APPROVED BY DATE KHLIM 2015/07/02	MATERIAL NO. SEE TABLE	DOCUMENT NO. SD-151063-0001	SHEET NO. 3 OF 3		
		THIS DRAWING CONTAINS INFORMATION THAT IS PROPRIETARY TO MOLEX INCORPORATED AND SHOULD NOT BE USED WITHOUT WRITTEN PERMISSION						