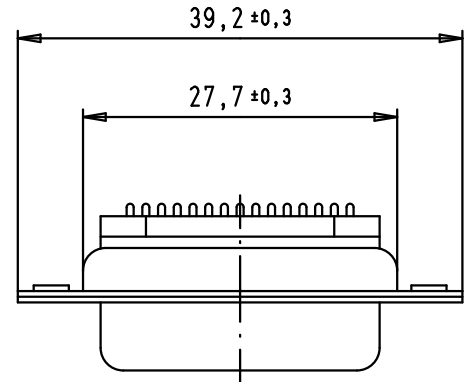
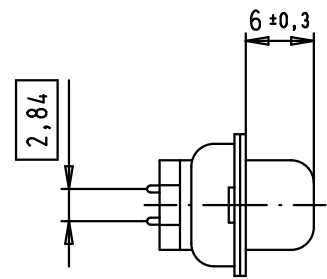
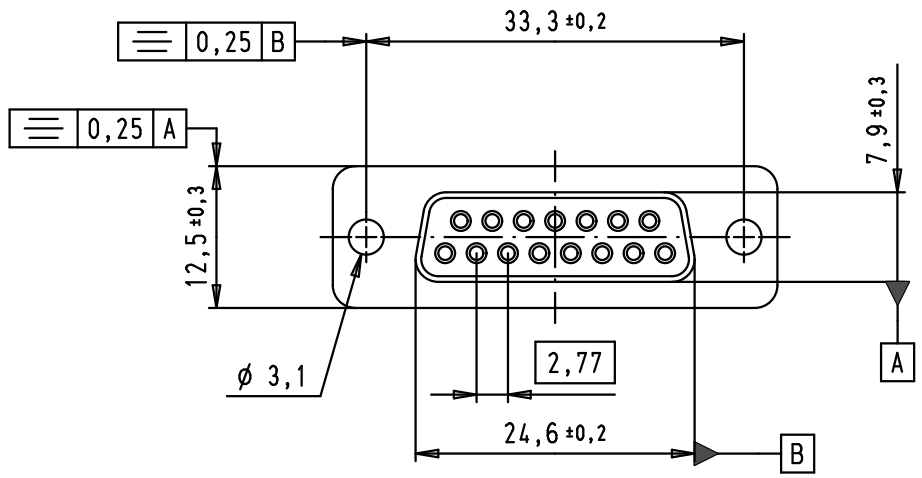




5 4 3 2 1



| FREQUENCY (MHz) | ATTENUATION (dB) |
|-----------------|------------------|
| 5               | 0,5              |
| 10              | 1                |
| 50              | 2,5              |
| 100             | 3                |
| 500             | 3,5              |
| 1000            | 4                |

Operating voltage < 250 V AC  
 Working current < 7,5 A  
 Insulation resistance > 1GΩ  
 Contact resistance < 15 mΩ  
 Dielectric withstanding voltage 500 V AC / minute

Solder bucket termination inner diameter: 1,20 mm

|                |          |             |                               |          |      |   |  |                            |
|----------------|----------|-------------|-------------------------------|----------|------|---|--|----------------------------|
|                |          |             |                               | Dot.     | Name | <br>All Dim. in mm<br>Orig. Size DIN A 4 | D-Sub, female, straight,<br>15 poles, tin plated shell,<br>solder buckets,<br>ferrite filter | Maßstab/<br>Scale<br>1,5:1 |
|                |          |             | Detail.                       | 11/06/09 | PK   |   |  |                            |
|                |          |             | Insp.                         |          |      |   |  |                            |
|                |          |             | Stand.                        |          |      |   |  |                            |
| 36160          | 22/09/10 | SC          | HARTING EURL<br>F-95972 Paris |          |      |    | TB 09 64 211 7800  | Blatt/ Page<br>1 / 1       |
| EC00332        | 11/06/09 | PK          | Mod.                          | Dot.     | Name |   |  |                            |
| 09 64 211 7800 | PL3      | Part number | Performance level             |          |      |   |  |                            |