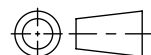
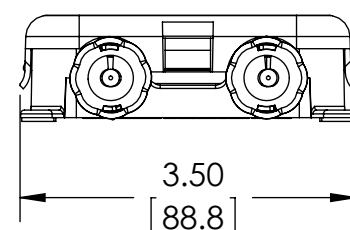
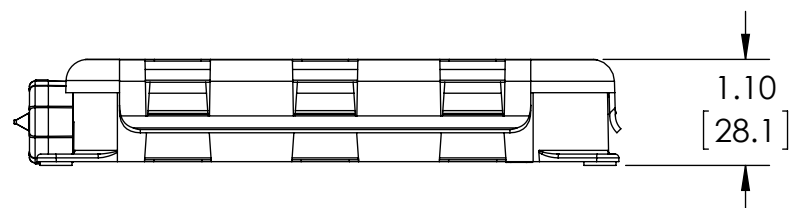
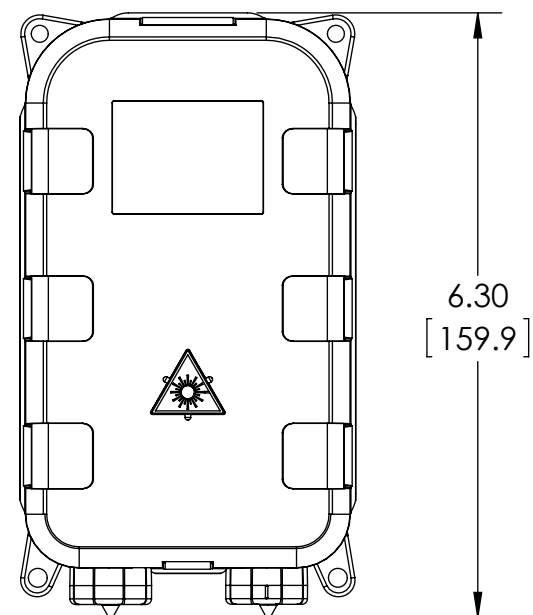
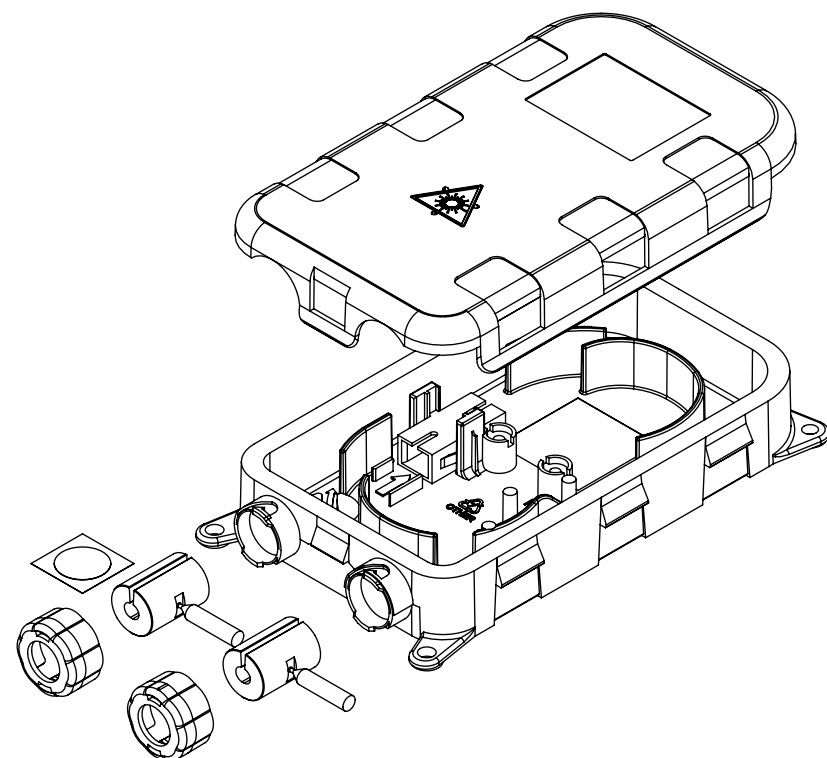


SW2015



Revision level			Revision Record	Changed	Date	Approved	Date
Drawing	State	Part					
00.0	Design Release		SEE ECN# 014308	CAS	2/14/2018	KAC	2/14/2018



PART DESCRIPTION = CCP-xyz

PART	STYLE (x)	ADAPTERS AND PIGTAILS INSTALLED (y)	HOUSING COLOR (z)
CCP-	E = EMPTY	BLANK = NO ADAPTER OR PIGTAIL	BLANK = BLACK
	SA = SC/APC SIMPLEX (GREEN)	A = ADAPTER ONLY	-W = WHITE
	S2 = SC SIMPLEX MM (BEIGE)	P = ADAPTER & PIGTAIL	
	S4 = SC SIMPLEX MM (AQUA)		
	SS = SC SIMPLEX SM (BLUE)		
	LA = LC/APC DUPLEX (GREEN)		
	L2 = LC MM DUPLEX (BEIGE)		
	L4 = LC MM DUPLEX (AQUA)		
	LS = LC SM DUPLEX (BLUE)		

MAXIMUM NUMBER OF ADAPTERS	2x SC SIMPLEX OR 2x LC DUPLEX
MAXIMUM NUMBER OF SPLICES	2
HOUSING COLOR	BLACK OR WHITE
NUMBER OF PORTS	2
CABLE PORT SIZE (DIAMETER)	4.65mm TO 5.6mm

Notes
 1. HOUSING CAN ACCEPT 2x SC SIMPLEX OR 2x LC DUPLEX ADAPTER AND PIGTAILS.
 2. ENCLOSURE IS IP-68 (WATER AND DUST INGRESS) RATED.
 3. ENCLOSURE SHOWN WITH SC SIMPLEX ADAPTER INSTALLED.

Material
 ASSEMBLY

Units: inches
 Dimension without tolerances details to:
 .xxxx = ±.0005
 .xxx = ±.005
 .xx = ±.01
 .x = ±.03
 None = ±.06
 < = ±0.5°
 Dimension Formatted in/[mm]

The copyright of this drawing is reserved by HellermannTyton. It is issued on condition that it is not reproduced, copied, or disclosed to a third party, either wholly or in part, without the consent of HellermannTyton.

Drawn CAS 2/14/2018
 Approved KAC 2/14/2018
HellermannTyton
 North America
 Email: corp@htamericas.com
 Web: www.hellermann.tyton.com

Article/Type-No CCP SERIES
 Title Customer Connection Point
 Drawing-No 18-0356-001-CSU
 Scale 1:2
 Project Number PRP18-0356
 Format B
 Sheet 1/1