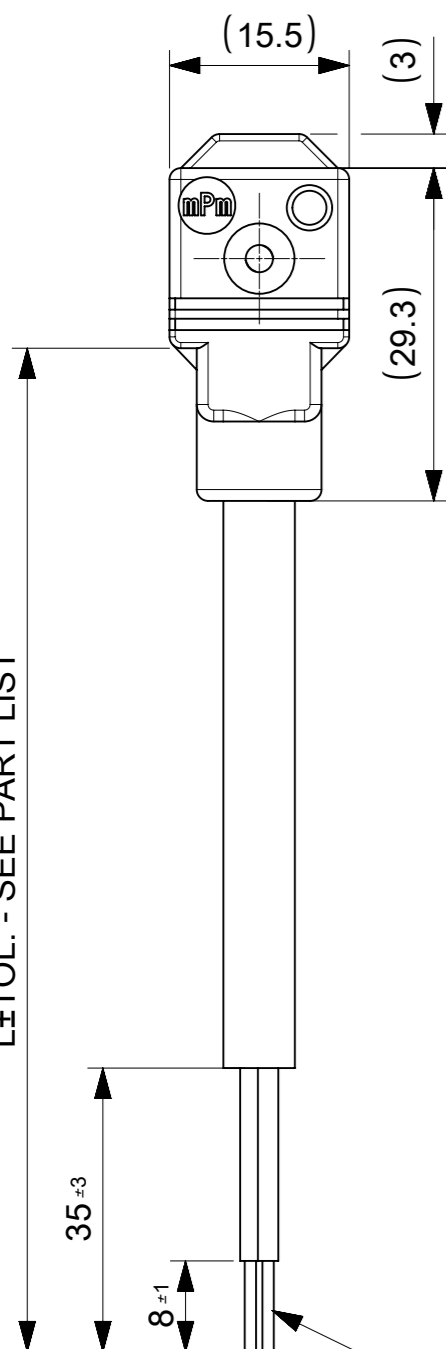
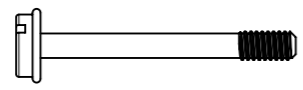


L±TOL. - SEE PART LIST

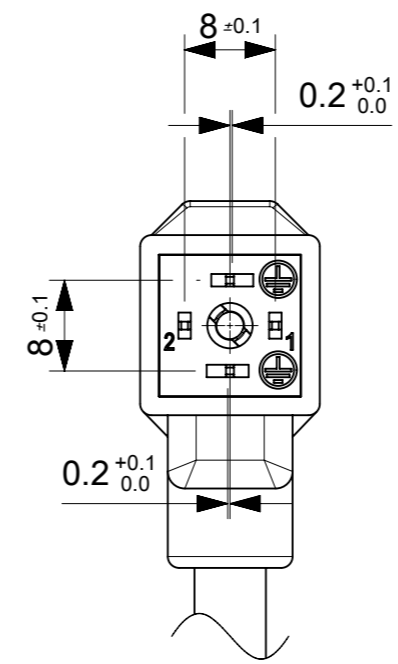
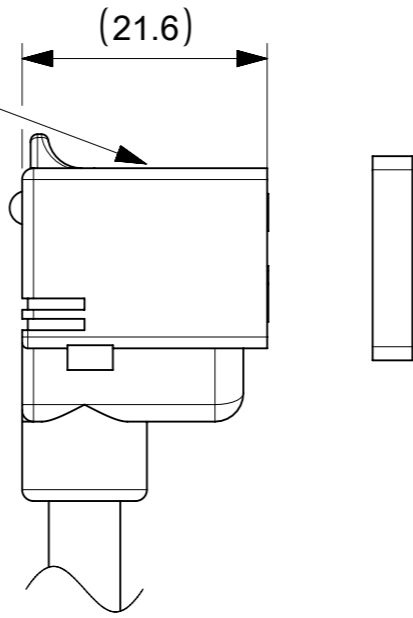


Tinned ends

WHITE TAMPO PRINTOUT



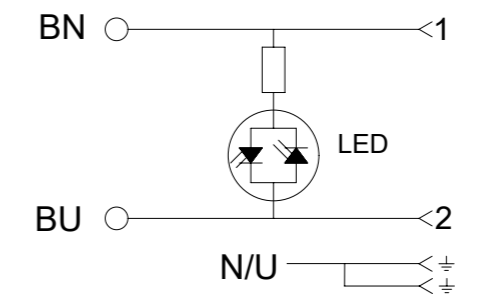
Type of Screw and Gasket see sheet 2, PN KEY



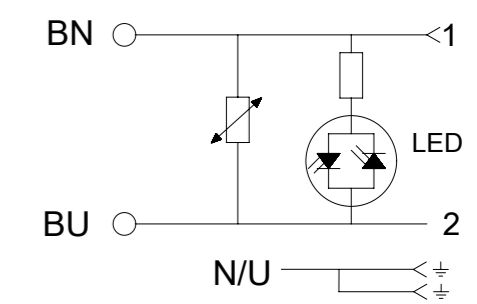
TABLICA TOLERANCJI DŁUGOŚCI
TABLE OF LENGHT TOLERANCES

POWYŻEJ OVER	DO-WŁĄCZNIE UP TO AND INCLUDING	TOLREANCJA TOLERANCE
0	1000	±20
1000	3000	±30
3000	5000	±40
5000	10000	±50
10000	15000	±100
15000	20000	±150
20000		±L/100

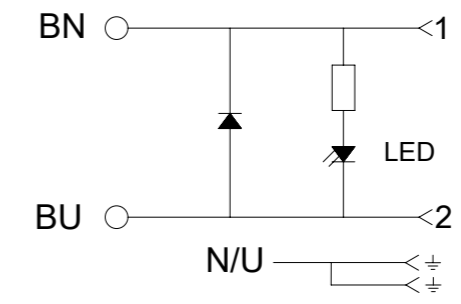
ELECTRICAL DIAGRAM A1



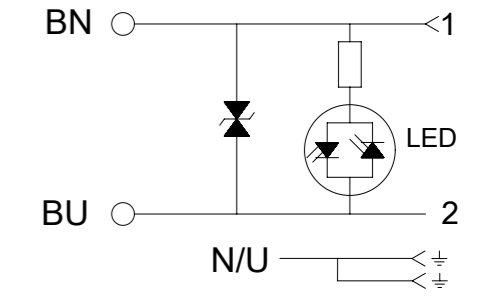
ELECTRICAL DIAGRAM C4



ELECTRICAL DIAGRAM C3

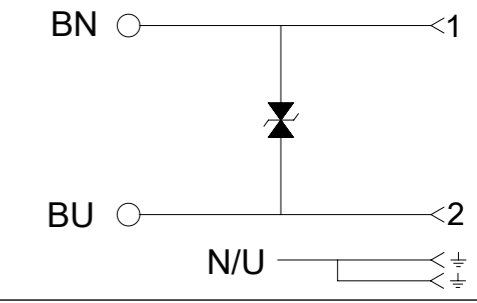


ELECTRICAL DIAGRAM S0

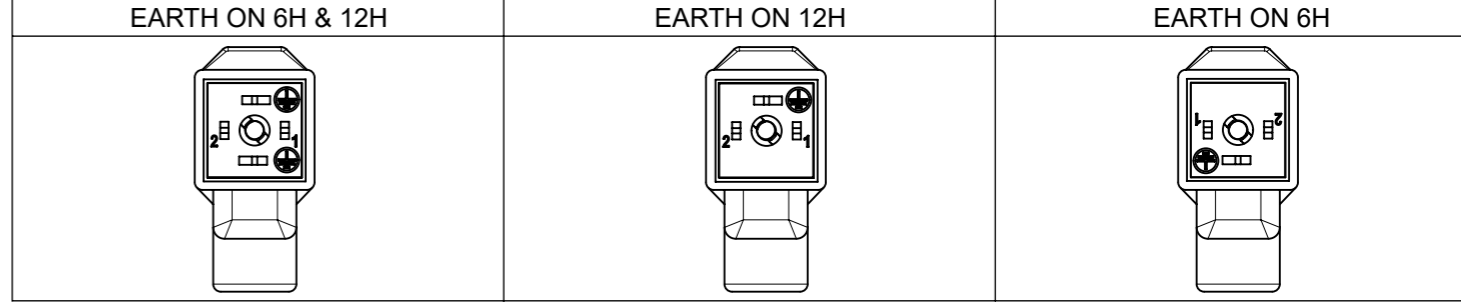


ATTENTION! IN CASE OF 1210180081 CABLE USE BLACK 1 INSTEAD OF BROWN, BLACK 2 INSTEAD OF BLUE

ELECTRICAL DIAGRAM S1



INSERT ORIENTATION



Type of Screw and Gaskets

Flat Gasket	Profiled Gasket	Screw M2.5x22.5

THIS DRAWING CONTAINS INFORMATION THAT IS PROPRIETARY TO MOLEX ELECTRONIC TECHNOLOGIES, LLC AND SHOULD NOT BE USED WITHOUT WRITTEN PERMISSION

DIMENSION UNITS mm	SCALE 3:2	CURRENT REV DESC: OBSOLETE PART NUMBER	molex		
GENERAL TOLERANCES (UNLESS SPECIFIED)					
ANGULAR TOL ± °	EC NO: 650268	DRWN: SUGEEB	2020/10/29	PRODUCT CUSTOMER DRAWING	
4 PLACES ±	CHK'D: GGA	2020/12/18	DOCUMENT NUMBER: 1210501734		
3 PLACES ±	APPR: GGA	2020/01/27	DOC TYPE: PSD	DOC PART: 000	REVISION: A1
2 PLACES ±	INITIAL REVISION:	DRWN: APAWLAK01	MATERIAL NUMBER: SEE TABLE		
1 PLACE ±	DRWN: APAWLAK01	2020/01/23	CUSTOMER: GENERAL MARKET		
0 PLACES ±	APPR: RSILLER	2020/01/27	SHEET NUMBER: 1 OF 2		
DRAFT WHERE APPLICABLE MUST REMAIN WITHIN DIMENSIONS	THIRD ANGLE PROJECTION	DRAWING: A3-SIZE	SERIES: 121050		

PN KEY ENGINEERING PN

E 4 9 1 X X X X X X X X X X X X

E - Packing without bag
W - Single Packing

Number of wires:
1 - 2 Wires

Cable type:
See Table

Head Colour:
G - Grey
N - Black
A - CSA-UL Black
B - CSA-UL Grey

Cable Length in[cm]
050 = 50cm
300 = 300cm
10K = 1000cm

Wiring Configuration:
See sheet 3

Voltage and Led Colour

Red Led	Green Led	Yellow Led
1 = 12V	A = 12V	G = 12V
2 = 24V	B = 24V	H = 24V
3 = 48V	C = 48V	K = 48V
4 = 115V	D = 115V	L = 115V
5 = 230V	E = 230V	M = 230V

Earth PIN location (see insert orientation table):
1 = Double Earth on H6 & H12
2 = Earth on H12
6 = Earth on H6

Type of Gasket and Screw (see sheet 1):
1 = NBR Profile Gasket + Fixing Screw M2.5x22.5mm
2 = NBR Flat Gasket + Fixing Screw M2.5x22.5mm
3 = Silicone Profile Gasket + Fixing Screw M2.5x22.5mm
4 = Silicone Flat Gasket + Fixing Screw M2.5x22.5mm
T = NBR Profile Gasket + Fixing Screw + Washer M2.5x23mm

TABLE 1

CABLE TYPE	MOLEX PN	NO. OF WIRES	CROSS SECTION	CABLE O.D.	CABLE JACKET	WIRES COLOR	SHIELD
A2	1210180467	2	AWG 20	5.4mm±0.2	PVC BLACK	BN, BU	-
I2	1210180047	2	0.5mm ²	5.5mm+0.3	PVC GREY	BN, BU	-
N2	1210180022	2	0.5mm ²	5.6mm±0.7	PVC BLACK	BN, BU	-
P3	1202094190	2	0.75mm ²	6.5mm±0.2	PUR BLACK	BN, BU	-

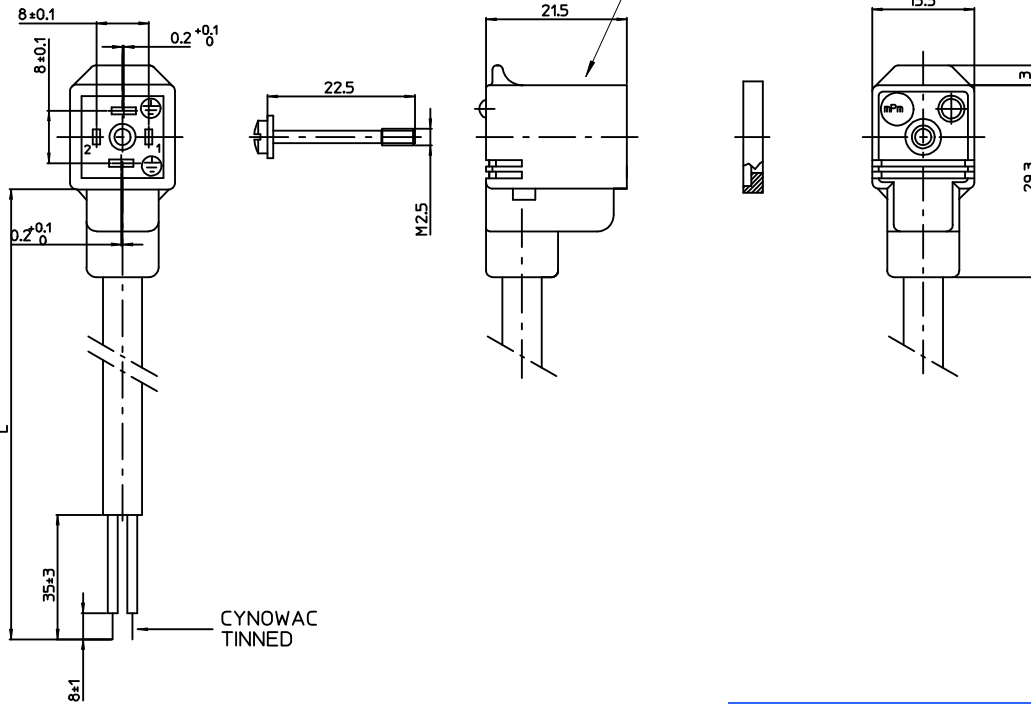
PART LIST

MOLEX PN	ENGINEERING PN	LENGTH
1210501734	E491N2N10011C4H	1000
1210503290	E491N2N30011C4H	3000
1210503291	E491N2N20011C4H	2000

Technical Spec:
Supply Voltage: See PN KEY
Max. current: 3A; A1-C4
Operating Temperature:
with NBR Gasket: -40°C +90°C
with Silicone: -40°C +125°C

THIS DRAWING CONTAINS INFORMATION THAT IS PROPRIETARY TO MOLEX ELECTRONIC TECHNOLOGIES, LLC AND SHOULD NOT BE USED WITHOUT WRITTEN PERMISSION		CURRENT REV DESC: OBSOLETE PART NUMBER		molex	
DIMENSION UNITS	SCALE				
mm	1:1			STANDARD E491 DIN FORM C	
GENERAL TOLERANCES (UNLESS SPECIFIED)				PRODUCT CUSTOMER DRAWING	
ANGULAR TOL	± °			DOCUMENT NUMBER	
4 PLACES	±	EC NO: 650268	2020/10/29	1210501734	
3 PLACES	±	DRWN: SUGEEB	2020/12/18	DOC TYPE	DOC PART
2 PLACES	±	CHK'D: GGA	2020/12/18	PSD	000
1 PLACE	±	APPR: GGA	2020/12/18	REVISION	
0 PLACES	±	INITIAL REVISION:		A1	
DRAFT WHERE APPLICABLE MUST REMAIN WITHIN DIMENSIONS		THIRD ANGLE PROJECTION	DRAWING	SERIES	MATERIAL NUMBER
			A3-SIZE	121050	SEE TABLE
				CUSTOMER	SHEET NUMBER
				GENERAL MARKET	2 OF 2

BIAŁY NADRUK ZE SCHEMATEM PLYTKI
A1 CIRCUIT PRINTOUT/WHITE



PATRZ UWAGA 1
SEE NOTE 1

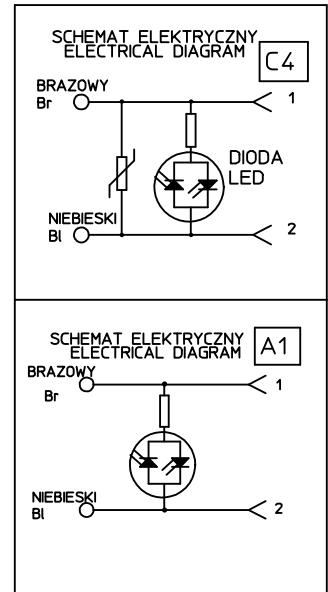


Table of length tolerances/ Tablica tolerancji dlugosci mm			
Over/Od	Up to and including/ Do-wacznie	Tolerance/Tolerancja +/-	
100	1000	±20	
1000	3000	±30	
3000	5000	±40	
5000	10000	±50	
10000	15000	±100	
15000	20000	±150	
	>20000	L/100	

UWAGI:

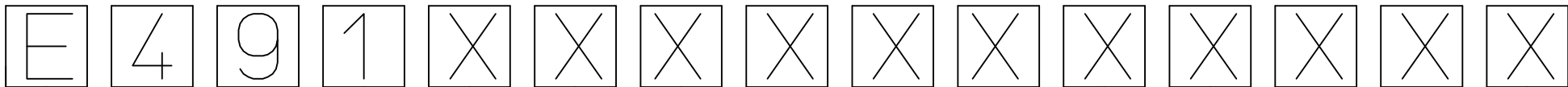
1. DLUGOSC PATRZ ARKUSZ 2.

NOTES:

1. LENGTH SEE SHEET 2.

ORIGINAL RELEASE EC NO: WEU2009-0474 DRWN: MWOLSZCZAK 2009/06/30 CHKD: MDABROWSKA 2009/07/01 APPR: GOGRODNIK 2009/07/01	QUALITY SYMBOLS	GENERAL TOLERANCES (UNLESS SPECIFIED)	DIMENSION STYLE	SCALE	DESIGN UNITS	FIRST ANGLE PROJECTION	
	▼=0 ◻=0	mm INCH	MM ONLY	1:1	METRIC		
		4 PLACES ± --- ± --- 3 PLACES ± --- ± --- 2 PLACES ± --- ± --- 1 PLACE ± --- ± ---	DRAWN BY DATE MWOLSZCZAK 2009/01/21	TITLE MPM E491XXXXXXXXXXXX			
		ANGULAR ± ---°	CHECKED BY DATE MLEVYSTKYY 2009/01/21	APPROVED BY DATE MDABROWSKA 2009/01/21			
		DRAFT WHERE APPLICABLE MUST REMAIN WITHIN DIMENSIONS	SIZE A3	MOLEX INCORPORATED		SHEET NO. 1 OF 4	
			THIS DRAWING CONTAINS INFORMATION THAT IS PROPRIETARY TO MOLEX INCORPORATED AND SHOULD NOT BE USED WITHOUT WRITTEN PERMISSION				

10 9 8 7 6 5 4 3 2 1



E - Pakowanie bez workow
 W - Pakowanie pojedynczo
 Q - Szybkie pakowanie

ILOSC PRZEWODOW/NUMBER OF WIRES:

1=2 PRZEWODY;
 2=3 PRZEWODY;
 3=4 PRZEWODY;
 6=3 PRZEWODY.

TYP KABLA/CABLE TYPE
 PATRZ TABELA 1/SEE TABLE 1

RODZAJ KABLA/CABLE CROSS SECTION AREA
 PATRZ TABELA 2/SEE TABLE 2

KOLOR MOULDINGU/HEAD COLOUR:
 G=SZARY/GREY;
 N=CZARNY/BLACK;
 T=PRZECZYSTY/TRANSPARENT;
 A=CZARNY/BLACK;
 B=SZARY/GREY.

DLUGOSC KABLA W CM/CABLE LENGHT IN CM
 NP:050=50 CM, 300=300 CM.

POLOZENIE PINU Z UZIEMIENIEM/EARTH PIN LOCATION:

1=PODWOJNE UZIEMIENIE NA GODZINIE 6 ORAZ 12/DOUBLE EARTH ON 6H AND 12H,
 2=UZIEMIENIE NA GODZINIE 12/EARTH ON 12H,
 6=UZIEMIENIE NA GODZINIE 6/EARTH ON 6H.

GASKET ORAZ SRUBY/GASKET SCREWS:

1=GASKET PROFILOWANY+SRUBA/NBR PROFILE GASKET+FIXING SCREWS,
 2=NBR PLASKI GASKET+SRUBA/NBR FLAT GASKET+SCREW,
 3=SILIKONOWY PROFILOWANY GASKET+SRUBA/SILICONE PROFILE GASKET+SCREW,
 4=SILIKONOWY PLASKI GASKET+SRUBA/SILICON FLAT GASKET+SCREW,
 P=ZINTEGROWANY GASKET+SRUBA/INTEGRATED GASKET+FIXING SCREW,
 R=ZINTEGROWANY GASKET+SRUBA/INTAGRATED GASKET+SCREW,
 T=PROFILOWANY GASKET+SRUBA, PROFILE GASKET+SCREW.

RODZAJ POLACZENIA/INTERNAL CIRCUIT

PATRZ SCHEMATY POLACZEN/WIREING CONFIGURATION

NAPIECIE ORAZ KOLOR DIODY/VOLTAGE AND LED COLOUR:

1= 12V	A= 12V	G= 12V	} ZOLTA DIODA YELLOW LED
2= 24V	B= 24V	H= 24V	
3= 48V	C= 48V	K= 48V	
4= 115V	D= 115V	L= 115V	
5= 230V	E= 230V	M= 230V	

ORIGINAL RELEASE EC NO: WEU2009-0474 DRWN: MWOLSZCZAK 2009/06/30 CHKD: MDABROWSKA 2009/07/01 APPR: GOGRODNIK 2009/07/01	DESCRIPTION	QUALITY SYMBOLS	GENERAL TOLERANCES (UNLESS SPECIFIED)	DIMENSION STYLE	SCALE	DESIGN UNITS	FIRST ANGLE PROJECTION	
		▼=0	mm INCH	MM ONLY	---	METRIC	⊙ □	
		⊕=0	4 PLACES ± --- ± ---	DRAWN BY DATE	TITLE	Molex MPM E491XXXXXXXXXX		
			3 PLACES ± --- ± ---	CHECKED BY DATE				
		2 PLACES ± --- ± ---	APPROVED BY DATE	MATERIAL NO.	DOCUMENT NO.			
		1 PLACE ± --- ± ---	MDABROWSKA 2009/01/21	SEE DRAWING	E491XXXXXXXXXX			
		ANGULAR ± ---°		THIS DRAWING CONTAINS INFORMATION THAT IS PROPRIETARY TO MOLEX INCORPORATED AND SHOULD NOT BE USED WITHOUT WRITTEN PERMISSION				
			DRAFT WHERE APPLICABLE MUST REMAIN WITHIN DIMENSIONS	SIZE	SHEET NO.			
				A3	2 OF 4			

9 8 7 6 5 4 3 2 1

10

9

8

7

6

5

4

3

2

1

TABELA 2 KABLE/TABLE 2 CABLES

MOLEX PN	mPm	Code	PRZEW	PRZEKROJ	MATERIAL	KOLOR/COLOUR	SREDNICA Ø	DIN A-B	DIN C
1210180080	I	0	3	1 mm2	PVC CEI 2022 II O.R.	Szary/Grey RAL7035	-	-	-
1210180467	A	2	2	20 AWG	PVC CSA/UL 2661	Czarny/Black	5,5+/-0,2 mm	OK.	OK.
-	A	2	3	20 AWG	PVC CSA/UL 2661	Czarny/Black	5,6+/-0,2 mm	OK.	OK.
1210180394	A	2	4	20 AWG	PVC CSA/UL 2661	Czarny/Black	6,2+/-0,2 mm	OK.	OK.
-	A	2	5	20 AWG	PVC CSA/UL 2661	Czarny/Black	7+/-0,2 mm	OK.	OK.
1210180297	B	2	2	20 AWG	PUR CSA/UL 20668	Czarny/Black	5,5+/-0,2 mm	OK.	OK.
1210180126	B	2	3	20 AWG	PUR CSA/UL 20668	Czarny/Black	5,6+/-0,2 mm	OK.	OK.
1210180387	B	2	4	20 AWG	PUR CSA/UL 20668	Czarny/Black	6,2+/-0,2 mm	OK.	OK.
-	B	2	5	20 AWG	PUR CSA/UL 20668	Czarny/Black	7+/-0,2 mm	OK.	OK.
1210180122	D	2	3	0,5 mm2	PVC T12 CEI 20-20	Szary/Grey	-	-	-
-	F	2	3	0,5 mm2	CNOMO	Szary/Grey RAL7000	5,5+/-0,2 mm	OK.	OK.
1210180047	I	2	2	0,5 mm2	PVC CEI 2022 II O.R.	Szary/Grey RAL7035	5,5+/-0,2 mm	OK.	OK.
-	I	2	3	0,5 mm2	PVC CEI 2022 II O.R.	Szary/Grey RAL7035	5,5+/-0,2 mm	OK.	OK.
1210180146	I	2	4	0,5 mm2	PVC CEI 2022 II O.R.	Szary/Grey RAL7035	6,5+/-0,2 mm	OK.	OK.
1210180177	I	2	5	0,5 mm2	PVC CEI 2022 II O.R.	Szary/Grey RAL7035	7+/-0,2 mm	OK.	OK.
1210180022	N	2	2	0,5 mm2	PVCH03	Czarny/Black	5,1+ 0,2-0 mm	OK.	OK.
1210180064	N	2	3	0,5 mm2	PVCH03	Czarny/Black	5,4+ 0,2-0 mm	OK.	OK.
1210180153	N	2	4	0,5 mm2	PVCH03	Czarny/Black	5,75+0,2-0 mm	OK.	OK.
1210180046	P	2	2	0,5 mm2	PUR - BLEND	Czarny/Black	5,5+/-0,2 mm	OK.	OK.
-	P	2	3	0,5 mm2	PUR - BLEND	Czarny/Black	5,5+/-0,2 mm	OK.	OK.
1210180302	P	2	4	0,5 mm2	PUR - BLEND	Czarny/Black	-	-	-
-	P	2	5	0,5 mm2	PUR - BLEND	Czarny/Black	7+/-0,2 mm	OK.	OK.
1210180409	A	3	2	18 AWG	PVC CSA/UL 2661	Czarny/Black	6,5+/-0,2 mm	OK.	OK.
1210180129	A	3	3	18 AWG	PVC CSA/UL 2661	Czarny/Black	6,5+/-0,2 mm	OK.	OK.
1210180159	A	3	4	18 AWG	PVC CSA/UL 2661	Czarny/Black	7+/-0,2 mm	OK.	OK.
-	A	3	5	18 AWG	PVC CSA/UL 2661	Czarny/Black	7,8+/-0,2 mm	OK.	OK.
1210180351	B	3	2	18 AWG	PUR CSA/UL 20668	Czarny/Black	6,5+/-0,2 mm	OK.	OK.
1210180127	B	3	3	18 AWG	PUR CSA/UL 20668	Czarny/Black	6,5+/-0,2 mm	OK.	OK.
1210180127	B	3	4	18 AWG	PUR CSA/UL 20668	Czarny/Black	7+/-0,2 mm	OK.	OK.
-	B	3	5	18 AWG	PUR CSA/UL 20668	Czarny/Black	7,8+/-0,2 mm	OK.	OK.
1210180073	D	3	3	0,75 mm2	PVC T12 CEI 20-20	Szary/Grey	-	-	-
1210180145	D	3	4	0,75 mm2	PVC T12 CEI 20-20	Szary/Grey	-	-	-
1210180120	I	3	3	0,75 mm2	PVC CEI 2022 II O.R.	Szary/Grey RAL7035	-	-	-
1210180143	I	3	4	0,75 mm2	PVC CEI 2022 II O.R.	Szary/Grey RAL7035	-	-	-
1210180032	N	3	2	0,75 mm2	PVCH05	Czarny/Black	6,2+ 0,2-0 mm	OK.	OK.
1210180069	N	3	3	0,75 mm2	PVCH05	Czarny/Black	6,6+0,2-0 mm	OK.	OK.
-	N	3	4	0,75 mm2	PVCH05	Czarny/Black	7,15+0,2-0 mm	OK.	OK.
1210180174	N	3	5	0,75 mm2	PVCH05	Czarny/Black	8,0+0,2-0 mm	OK.	OK.
-	P	3	2	0,75 mm2	PUR - BLEND	Czarny/Black	6,5+/-0,2 mm	OK.	OK.

TABELA 2 KABLE/TABLE 2 CABLES

MOLEX PN	mPm	Code	PRZEW	PRZEKROJ	MATERIAL	KOLOR/COLOUR	SREDNICA Ø	DIN A-B	DIN C
1210180071	P	3	3	0,75 mm2	PUR - BLEND	Czarny/Black	6,5+/-0,2 mm	OK.	OK.
1210180152	P	3	4	0,75 mm2	PUR - BLEND	Czarny/Black	7+/-0,2 mm	OK.	OK.
1210180384	R	3	3	0,75 mm2	TPR HAL. FREE	Czarny/Black	6,5+/-0,2 mm	OK.	OK.
1210180094	T	3	3	0,75 mm2	PUR CSA/UL	Żółty/Yellow	-	-	-
1210180309	Y	3	3	0,75 mm2	SIL/0300	Czerwony/Red	6,5+/-0,2 mm	-	-
1210180081	F	4	3	1 mm2	CNOMO	Szary/Grey RAL7000	-	-	-
-	F	4	4	1 mm2	CNOMO	Szary/Grey RAL7000	7,1+0,2-0 mm	OK.	OK.
1210180042	I	4	2	1 mm2	PVC CEI 2022 II O.R.	Szary/Grey RAL7035	7,1+0,2-0 mm	OK.	OK.
1210180079	I	4	3	1 mm2	PVC CEI 2022 II O.R.	Szary/Grey RAL7035	7,1+0,2-0 mm	OK.	OK.
1210180036	N	4	2	1 mm2	PVCH05	Czarny/Black	6,5+0,2-0 mm	OK.	OK.
1210180082	N	4	3	1 mm2	PVCH05	Czarny/Black	6,9+0,2-0 mm	OK.	OK.
1210180117	R	4	3	1 mm2	TPR HAL. FREE	Czarny/Black	-	-	-
1210180085	N	5	3	1,5 mm2	PVCH05	Czarny/Black	8,3+0,2-0 mm	OK.	OK.
1210180313	I	6	2	0,35 mm2	PVC CEI 2022 II O.R.	Szary/Grey RAL7035	-	-	-
-	A	7	3	20 AWG	PVC CSA/UL 2661	Żółty/Yellow	5,6+/-0,2 mm	OK.	OK.
1210180149	I	9	4	0,75 mm2	PVC CEI 2022 II O.R.	Szary/Grey RAL7035	-	-	-

TABELA 1 TYPY KABLI/TABLE 1 CABLES TYPE

Znakowanie /Code	Rodzaje kabla /Cable types	Właściwości /Features	Przekroje /Stranding
N	PVC	Kabel z dobrą rezystancją w wodzie ale słabą w oleju./Application general purpose cable which has good resistance to water, but usually poor oil resistance.	0.5 mm2 = 15 x 0.20 0.75 mm2 = 21 x 0.20 1 mm2 = 28 x 0.20
I	PVC	Zatwierdzone przez IEC 332-2A, samogaszący./Approved to IEC 332-2A, flame retardant and self extinguishing. Limited resistant to mineral oils.	0.5 mm2 = 28 x 0.15 0.75 mm2 = 42 x 0.15 1 mm2 = 32 x 0.20
P	PVC	Dobra rezystancja w olejach i chemikaljach./Offer good resistance to oil and chemicals. Can swell when constantly immersed in water.	0.5 mm2 = 28 x 0.15 0.75 mm2 = 42 x 0.15 1 mm2 = 32 x 0.20
A	PVC	Zatwierdzony porzez CSA-UL 2661.Dobra rezystancja na wode słaba na olej./ Approved to CSA-UL 2661, application general purpose cable which has good resistance to water, but usually poor oil resistance.	20 AWG = 32 x 0.15 18 AWG = 52 x 0.15
B	PVC	Zatwierdzony przez CSA-UL 20668, bardzo dobra rezystancja w oleju i chemikaljach./ Approved to CSA-UL 20668, very good resistance to oil and chemicals.	20 AWG = 32 x 0.15 18 AWG = 52 x 0.15

ORIGINAL RELEASE EC NO: WEU2009-0474 DRWIN: MWOL SZCZAK 2009/06/30 CHYKD: MDABROWSKA 2009/07/01 APPR: GOGRODNIK 2009/07/01	QUALITY SYMBOLS	GENERAL TOLERANCES (UNLESS SPECIFIED)	DIMENSION STYLE	SCALE	DESIGN UNITS	FIRST ANGLE PROJECTION
	DESCRIPTION	mm INCH	MM ONLY	---	METRIC	

4 PLACES	± ---	± ---	DRAWN BY	DATE	TITLE
3 PLACES	± ---	± ---	MWOLSZCZAK	2009/01/21	MPM E491XXXXXXXXXX
2 PLACES	± ---	± ---	CHECKED BY	DATE	
1 PLACE	± ---	± ---	MLEVYSTKY	2009/01/21	
ANGULAR ± ---°			APPROVED BY	DATE	
			MDABROWSKA	2009/01/21	
DRAFT WHERE APPLICABLE MUST REMAIN WITHIN DIMENSIONS			MATERIAL NO.		DOCUMENT NO.
			SEE DRAWING		E491XXXXXXXXXX
			SIZE	THIS DRAWING CONTAINS INFORMATION THAT IS PROPRIETARY TO MOLEX INCORPORATED AND SHOULD NOT BE USED WITHOUT WRITTEN PERMISSION	
			A3	3 OF 4	

9

8

7

6

5

4

3

2

1

TABELA 3/CHART 3

MOLEX P/N	WOODHEAD P/N
1210501734	E491N2N10011C4H
1210502299	E491I2N50011C4H
1210502322	E491N2N10012C4B
1210501416	E491I2N50012C4H
1210503029	E491N2N15021A12

ORIGINAL RELEASE EC NO: WEU2009-0474 DRWN: MWOLSZCZAK 2009/06/30 CHKD: MDABROWSKA 2009/07/01 APPR: GOGRODNIK 2009/07/01	QUALITY SYMBOLS	GENERAL TOLERANCES (UNLESS SPECIFIED)		DIMENSION STYLE MM ONLY		SCALE ---	DESIGN UNITS METRIC	FIRST ANGLE PROJECTION		
	= 0 = 0		mm	INCH	DRAWN BY	DATE	TITLE			
		4 PLACES	± ---	± ---	MWOLSZCZAK	2009/01/21	MPM E491XXXXXXXXXXXX			
		3 PLACES	± ---	± ---	CHECKED BY	DATE				
	2 PLACES	± ---	± ---	MLEVYSTKYY	2009/01/21					
	1 PLACE	± ---	± ---	APPROVED BY	DATE					
		ANGULAR ± ---°		MDABROWSKA	2009/01/21	MOLEX INCORPORATED				
		DRAFT WHERE APPLICABLE MUST REMAIN WITHIN DIMENSIONS		MATERIAL NO.		DOCUMENT NO.		SHEET NO.		
				SEE DRAWING		E491XXXXXXXXXXXX		4 OF 4		
				SIZE A3	THIS DRAWING CONTAINS INFORMATION THAT IS PROPRIETARY TO MOLEX INCORPORATED AND SHOULD NOT BE USED WITHOUT WRITTEN PERMISSION					