

	14 (14-a)	-	-
	12 (12-a)	-	-
	8 (08-a)	-	-
	7 (07-b)	-	-
	7 (07-a)	-	-
	6 (06-a)	T 3403 218 U	T 3403 228 U
	5 (05-b)	-	-
	5 (05-a)	T 3363 218 U	T 3363 228 U
	4 (04-a)	-	-
	2+3 (03-a)	-	-
Contact arrangement View on mating side	Number of contacts	A = 3,0 [.118]	A = 8,3 [.327]

Number of contacts	Standard	2+3 ¹⁾	4	5	5S	6	7	7	8	12	14	
Contact arrangement	DIN EN 61076-2-106	03-a	04-a	05-a	05-b	06-a	07-a	07-b	08-a	12-a	14-a	
Contact arrangement	IEC 60130-9 ²⁾			-			-					
Rated voltage ³⁾	IEC 60664-1	300 V (100 V)	300 V (63 V)	100 V (32 V)	300 V (63 V)	100 V (32 V)	150 V (32 V)					
Rated voltage	UL 1977	250 V						60 V				
Rated impulse withstand voltage ³⁾	IEC 60664-1	1500 V (840 V)	1200 V (500 V)	1500 V (840 V)	1200 V (500 V)							
Pollution degree ³⁾	IEC 60664-1	1 (2)										
Installation category	IEC 60664-1	I										
Insulation group	IEC 60664-1	II, 400 ≤ CTI < 600										
Current rating	IEC 60512-5-2 UL 1977	5A/+40°C/+104°F						3A/+40°C/+104°F				
Insulation resistance	IEC 60512-3-1	>10 ¹⁰ Ω ⁴⁾										
Contact resistance	IEC 60512-2-1	<5m Ω										
Climatic category	IEC 60668-1	40 / 100 / 56										
Temperatur range	IEC 60668-1	-40°C...+100°C / -40°F...+212°F										
IP degree	IEC 60529	IP 40										
Insertion and withdrawal force	IEC 60512-13-2	25N	30N	35N	50N	55N	60N	50N				
Mechanical operation	IEC 60512-9-1	gold ≥1000 mating cycles										
Housing material		brass and / or zinc die cast, nickel plated										
Dielectric material		thermoplastic										
Contacts		gold plated										
Termination technique		solder										
Flamability		UL 94 V0										
locking system	IEC 60130-9 DIN EN 61076-2-106	metal screw coupling; tightening torque 0,7Nm										

Gewicht (errechnet) / Calc WT: 0,013 kg	Zul. Abw./Tolerances:	Maßstab / Scale: 2:1	A3	
Prüfmaß / Testdimension		CUSTOMER DRAWING		
Teilindex Partindexnumber	DIN / ISO 13715	Gerätedose 90° Befestigungsflansch female receptacle		
	Datum/Date	Name		
	26.08.2015	IMOHR		
	Status: Released			
	Inspector: 27.08.2015 MGRIM			
	Amphenol-Tuchel Electronics GmbH		Blatt/Sheet 1	
01	201500617	26.08.2015	IMOHR	2 Bl.
Index	Änderung/Description	Datum/Date	Name	Ers. f. / Replacement for:
		4.032.967		

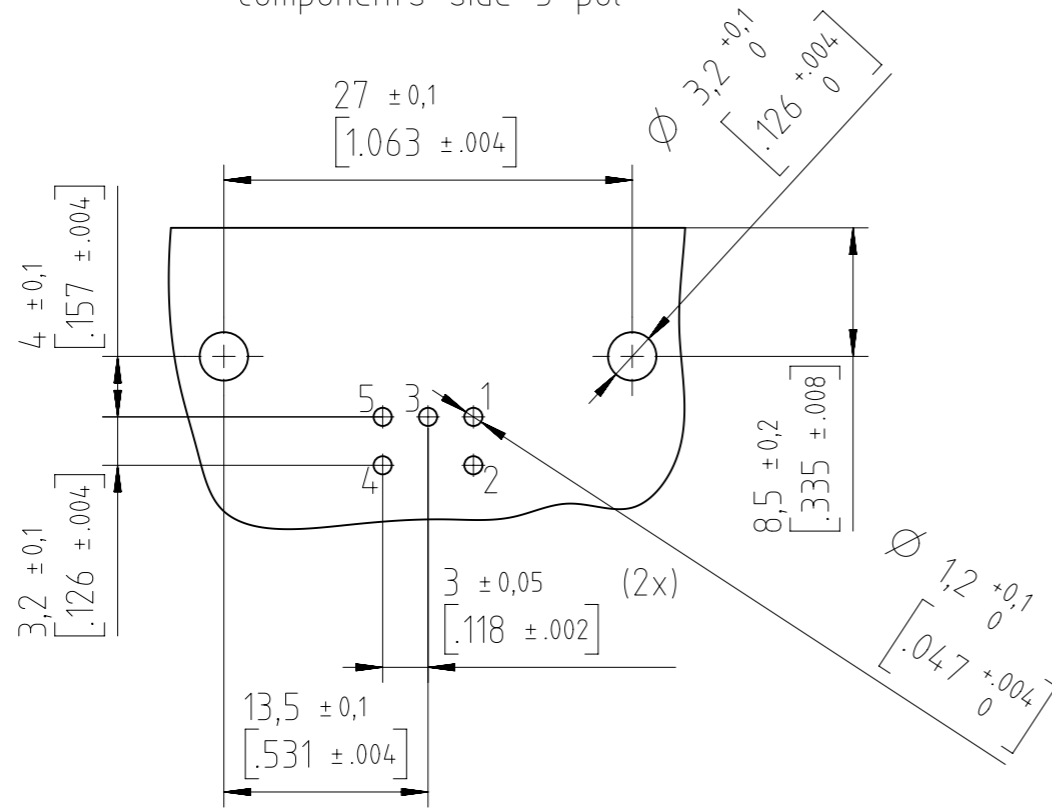
¹⁾ 2 contact version: contact loading 1+3
²⁾ Edition 2000-05
³⁾ values in brackets are according to DIN EN 61076-2-106
⁴⁾ under operating conditions >10⁸ Ohm
 All technical data have been measured in a laboratory environment and can be different during practical usage of the product. Any product information is for descriptive usage only and not legally binding; particularly the information does not constitute or provide any legal guaranties. Do not connect or disconnect under load. Metal housing parts shall be securely incorporated to protected ground. Parts according to directive 2002/95/EG (RoHS).
 Remark for gold plated contacts:
 In order to avoid brittle inter-metallic connections, gold plated terminals have to be tin-plated in the solder area.

Weitergabe sowie Vervielfältigung dieser Unterlage, Verwertung und Mitteilung ihres Inhalts nicht gestattet, soweit nicht ausdrücklich zugestanden. Zuwiderhandlungen verpflichten zu Schadenersatz. Alle Rechte für den Fall der Patenterteilung oder Gebrauchsmuster-Eintragung vorbehalten.

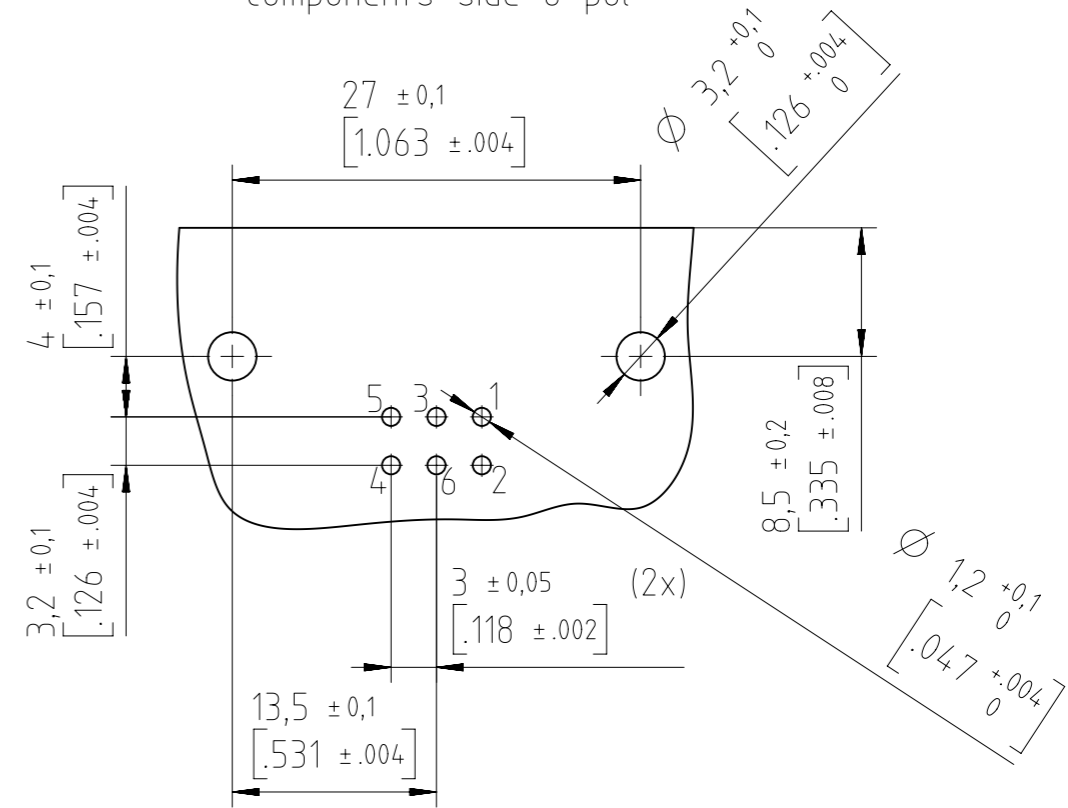
Copying of this document and giving it to others and the use or communication of the contents thereof, are forbidden without express authority. Offenders are liable to the payment of damages. All rights are reserved in the event of the grant of a patent or the registration of the utility model or design.

Weitergabe sowie Vervielfältigung dieser Unterlage, Verwertung und Mitteilung ihres Inhalts nicht gestattet, soweit nicht ausdrücklich zugestanden. Zuwiderhandlungen verpflichten zu Schadensersatz. Alle Rechte für den Fall der Patenterteilung oder Gebrauchsmuster-Eintragung vorbehalten.

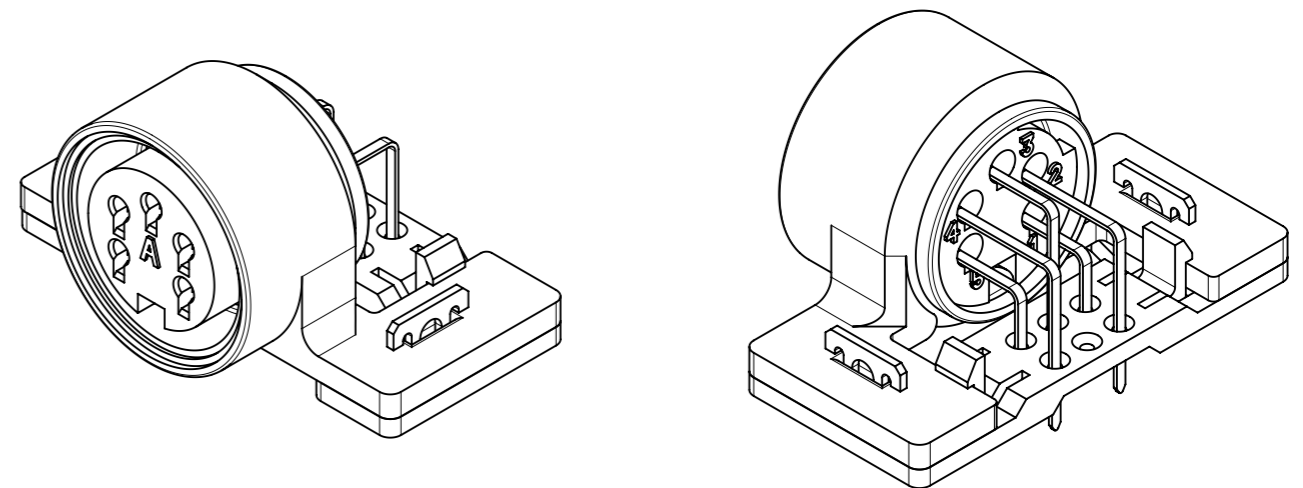
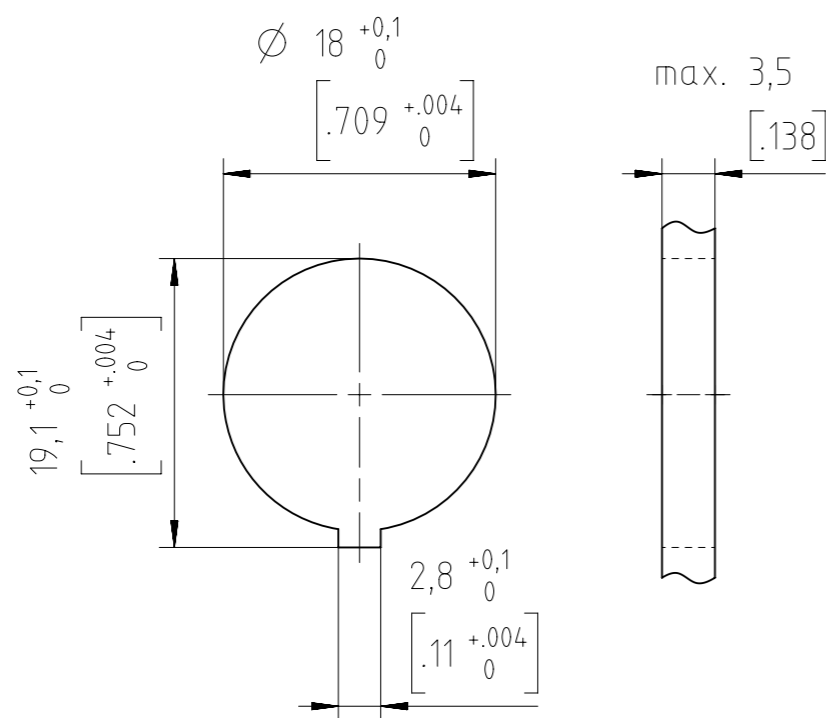
PCB-Layout components side 5 pol



PCB-Layout components side 6 pol



Panel cutout



Gewicht (errechnet) / Calc WT: 0,013 kg		Zul. Abw./Tolerances:		Maßstab / Scale: 2:1		A3	
Prüfmaß / Testdimension		± 0,10		DIN / ISO 13715		CUSTOMER DRAWING	
Teileindex		∠ ± 1,0°		Datum/Date		Gerätedose 90° Montageausschnitt	
Partindexnumber		Gez. 26.08.2015		Name IMOHR		female receptacle panel cutout	
		Drawn		Inspector: 27.08.2015 MGRIM			
		Status: Released		Amphenol-Tuchel Electronics GmbH		Blatt/Sheet 2	
		Inspector: 27.08.2015 MGRIM		M GA T 3XXX 2X8 U		2 Bl.	
01 201500617		26.08.2015 IMOHR		4.032.967		Ers. f. l. Replacement for:	
Index Änderung/Description		Datum/Date		Name			