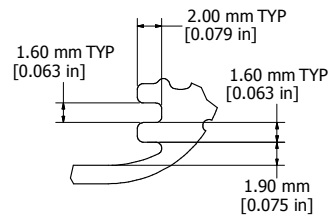
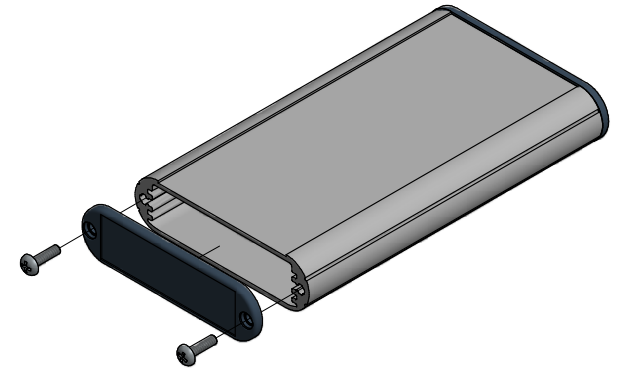


EXTRUSION

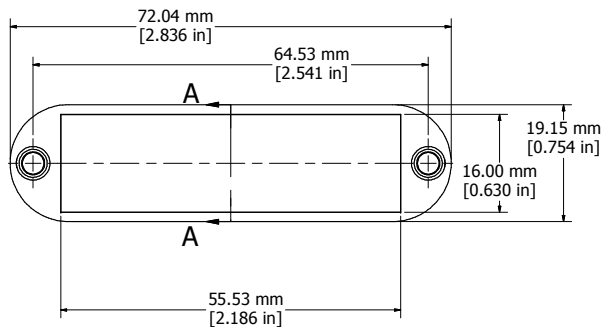
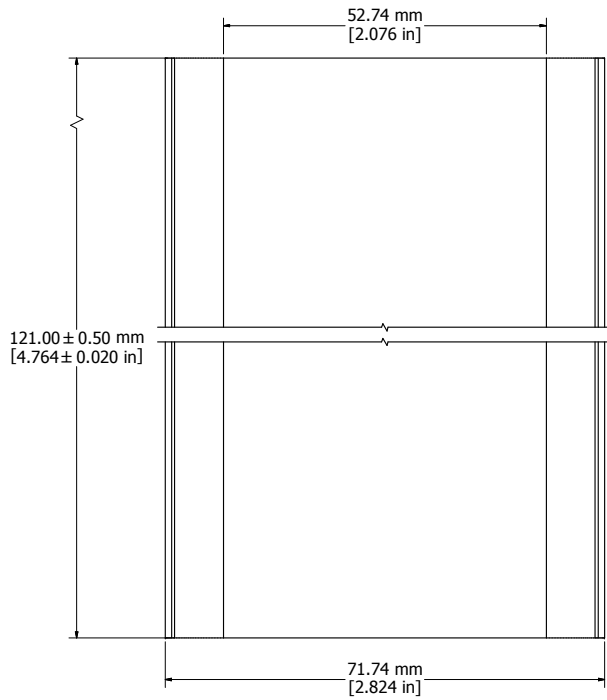


DETAIL C

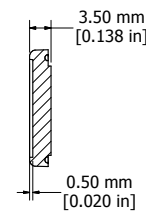


EXPLODED ASSEMBLY VIEW

**\*\*DESIGNED FOR 60MM WIDE PC BOARD\*\***



BEZEL



SECTION A-A

Enclosures can be Factory Modified ( Milling, Drilling, Printing etc. )  
 Solid models of this enclosure available in STEP or IGES.  
 Contact Factory [mjm@hammondmfg.com](mailto:mjm@hammondmfg.com)

**NOTE**

Purchased assembly includes box, plastic bezels, #6 Taptight screws and self adhesive rubber feet.  
 Box made from Extruded Aluminum 6063.  
 Bezels made from polycarbonate.

**1455B1202**

**PART NUMBERS**

Clear Anodized	1455B1202
Black Anodized	1455B1202BK
Blue Anodized	1455B1202BU
Red Anodized	1455B1202RD

**ACCESSORIES**

See website for accessories.



**HAMMOND  
MANUFACTURING™**  
**1455B1202**  
[www.hammondmfg.com](http://www.hammondmfg.com)