

ISOLATION TRANSFORMERS FOR ETHERNET

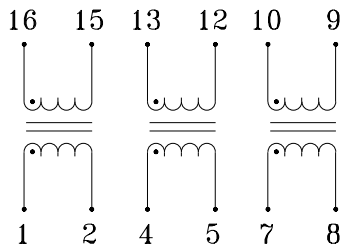
- Bel isolation transformers are designed to be used as equipment isolation protection for the cable-AUI interface in 10Base-2, 10Base-5 and 10Base-T applications
- Multiple OCL (inductance) values available
- Turns ratio 1:1
- 2000 Vrms isolation
- Through-hole and surface mount packaging

ELECTRICALS AT 25°C

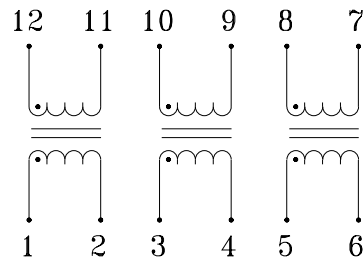
Part No.	Inductance OCL (μH) (+/- 20)	ET Constant (Vμs) Min	Rise Time (ns) Max	Coupling Capacitance C _{vw} (pF) Max	Leakage Inductance L _L (μH) Max	Pri/Sec (ohms) Max	Schematic	Package Style
A553-0756-AB	75	2.1	3.0	10	0.20	0.20/0.20	A	1
A553-1006-AB	100	2.1	3.0	10	0.20	0.20/0.20	A	1
A553-1506-AB	150	3.0	3.5	12	0.25	0.30/0.30	A	1
S553-0506-AE	50	1.0	1.8	5	0.10	0.15/0.15	A	2
S553-0745-01	350	1.5	3.5	16	0.30	0.35/0.35	A	2
S553-0756-AE	75	1.4	1.8	7	0.10	0.17/0.17	A	2
S553-1006-AE	100	1.5	1.8	8	0.10	0.20/0.20	A	2
S553-1506-AE	150	1.8	1.8	9	0.10	0.20/0.20	A	2
S553-5999-67	75	1.4	1.8	7.0	0.10	0.17/0.17	A	3
S553-5999-68	150	1.8	1.8	9.0	0.10	0.20/0.20	A	3
S553-5999-69	100	1.5	1.8	8.0	0.10	0.20/0.20	A	3
S553-5999-72	100	1.5	1.8	8.0	0.10	0.20/0.20	B	4
S553-5999-73	150	1.8	1.8	9.0	0.10	0.20/0.20	B	4
S553-5999-74	75	1.4	1.8	7.0	0.10	0.17/0.17	B	4

SCHEMATICS

A



B



Specifications subject to change without notice.



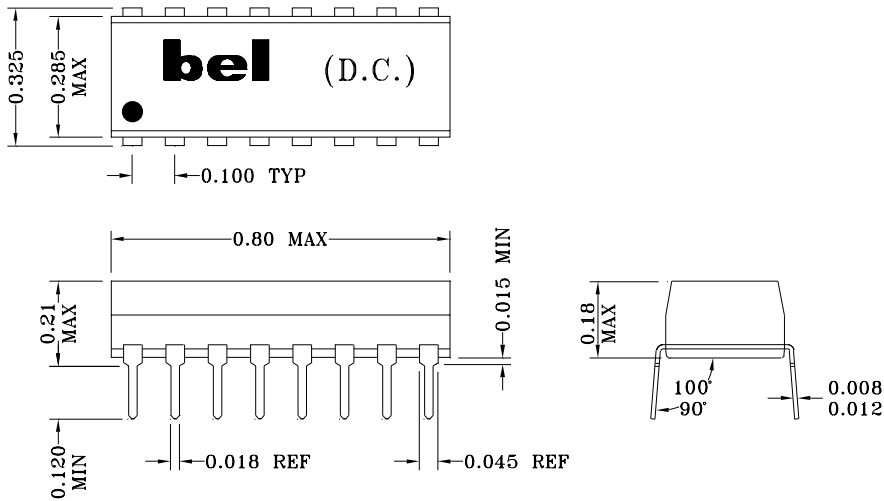
defining a degree of excellence

ISOLATION TRANSFORMERS FOR ETHERNET

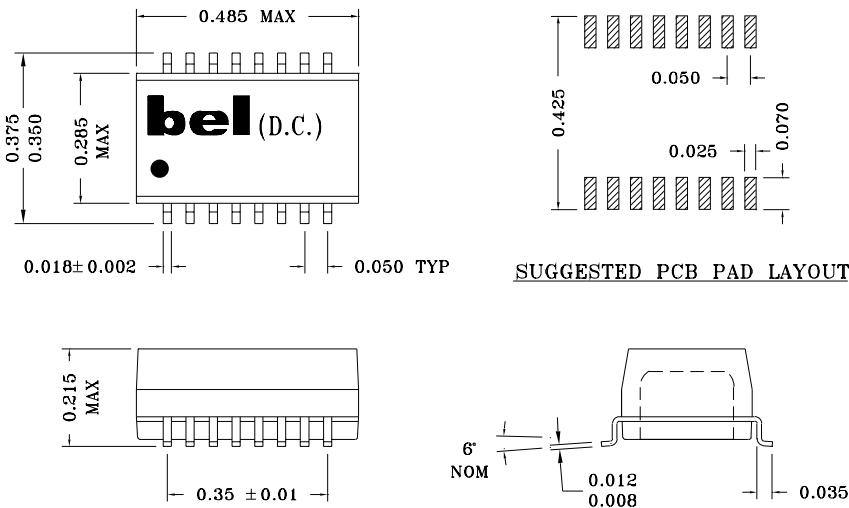
960035A

MECHANICALS

1



2

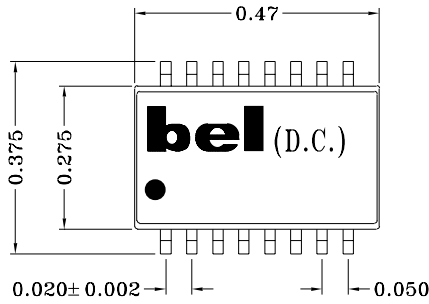


Specifications subject to change without notice.

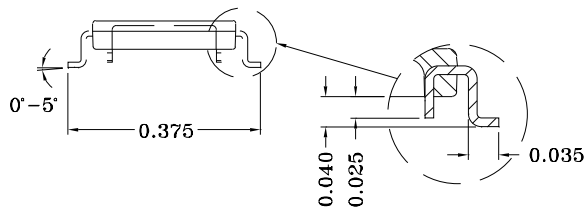
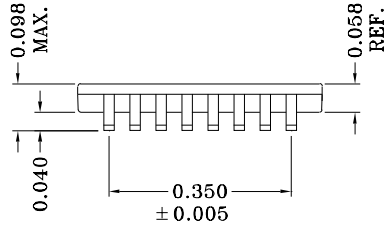
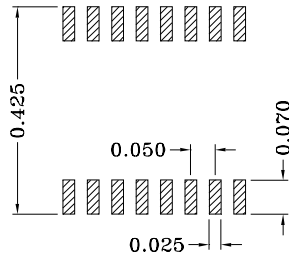
**ISOLATION TRANSFORMERS
FOR ETHERNET**

MECHANICALS (CONT'D)

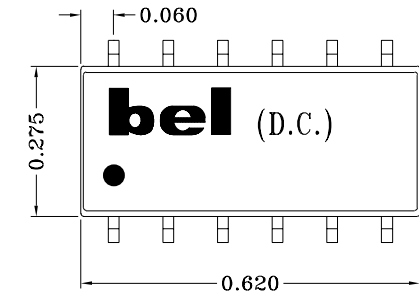
3



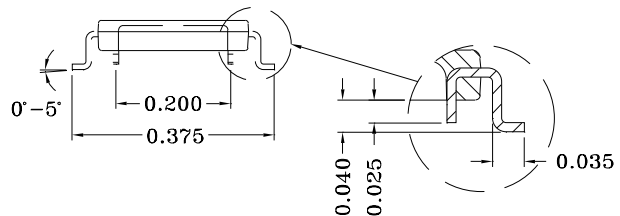
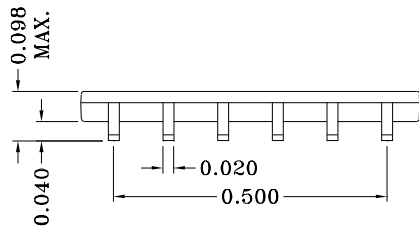
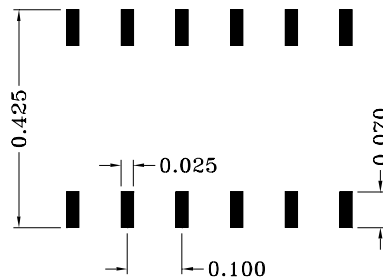
SUGGESTED PCB PAD LAYOUT



4



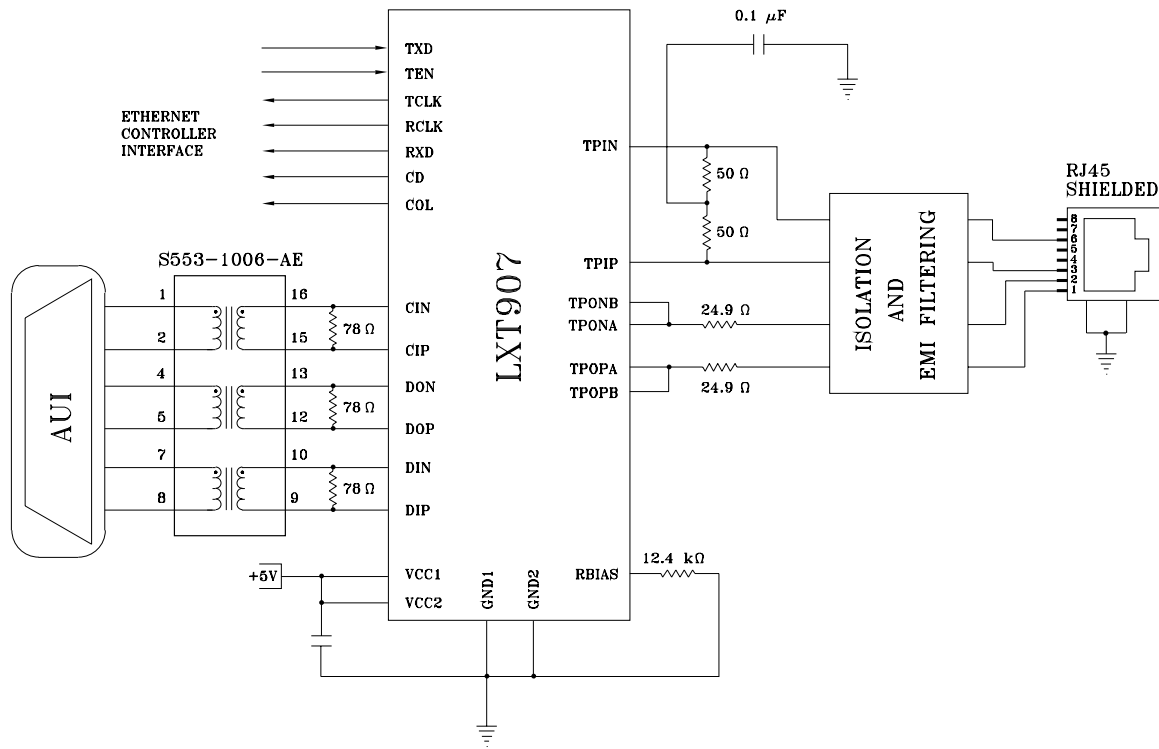
SUGGESTED PCB PAD LAYOUT



Specifications subject to change without notice.

ISOLATION TRANSFORMERS FOR ETHERNET

APPLICATION CIRCUIT



APPLICATION NOTES

- Bel transformers for Ethernet AUI applications provide the necessary isolation and inductance as required in the IEEE 802.3 standards for AUI (Attachment Unit Interface) ports.

Corporate Office

Bel Fuse Inc.
 198 Van Vorst Street, Jersey City, NJ 07302-4496
 Tel: 201-432-0463
 Fax: 201-432-9542
 E-Mail: BelFuse@belfuse.com
 Internet: <http://www.belfuse.com>

Far East Office

Bel Fuse Ltd.
 8F/8 Luk Hop Street
 San Po Kong
 Kowloon, Hong Kong
 Tel: 852-2328-5515
 Fax: 852-2352-3706

European Office

Bel Fuse Europe Ltd.
 Preston Technology Management Centre
 Marsh Lane, Preston PR1 8UD
 Lancashire, U.K.
 Tel: 44-1772-556601
 Fax: 44-1772-888366