

REV. NO.	031-7420		
REVISIONS			
REV.	DATE	BY	APP.
A	27/635	8/2/12	
REVISED & UPDATED			

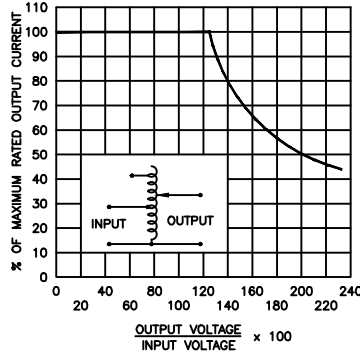
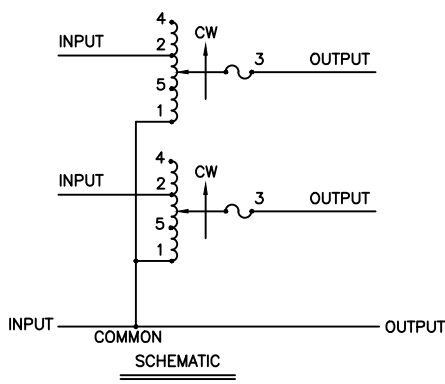
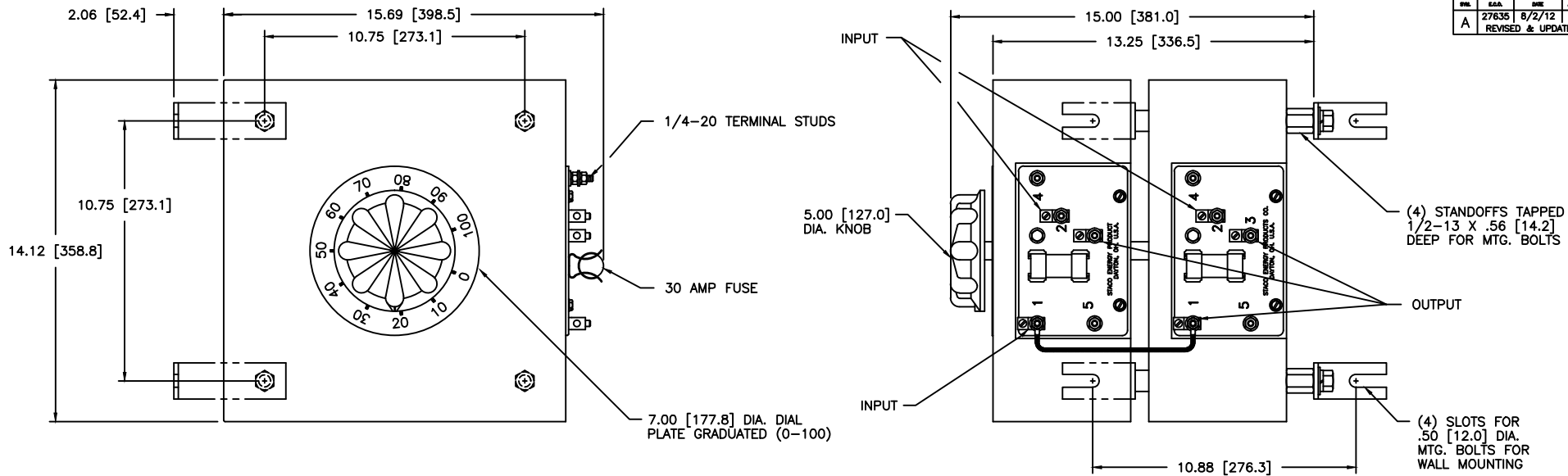


FIGURE A
 MAXIMUM OUTPUT CURRENT OF ANY DUAL INPUT VOLTAGE OR VOLTAGE DOUBLER UNIT OPERATED AT LOWER INPUT VOLTAGE.

* MAXIMUM OUTPUT CURRENT IN OUTPUT VOLTAGE RANGE FROM 0 TO 25 PERCENT ABOVE LINE VOLTAGE. AT HIGHER OUTPUT VOLTAGES, OUTPUT CURRENT MUST BE REDUCED ACCORDING TO RATING CURVE (SEE FIGURE A).

++ MAXIMUM KVA AT MAXIMUM OUTPUT AND CORRESPONDING DE-RATED CURRENT. MAXIMUM KVA AT LOWER OUTPUT VOLTAGES MAY BE CALCULATED FROM RATING CURVE, (SEE FIGURE A).

V.D. = VOLTAGE DOUBLER.

SPECIFICATIONS								
WIRING	INPUT		OUTPUT			SHAFT ROTATION FOR INCREASE VOLTAGE	TERMINAL CONNECTIONS FOR INCREASING VOLTAGE AS VIEWED FROM ROTOR END	
	VOLTS	HERTZ	VOLTS	MAX. AMPS	MAX. KVA		INPUT	JUMPER
THREE PHASE OPEN DELTA	240	50/60	0-240	28	11.6	CW	4-1-4	3-1-3
	120	50/60	0-280	28	13.6	CW	2-1-2	3-1-3
			0-280	28-12 V.D.	5.8 [†]	CW	5-1-5	3-1-3

<small>THIS INFORMATION AND DESIGN DETAILS ARE THE PROPERTY OF STACO ENERGY PRODUCTS CO. WHICH RESERVES ALL RIGHTS IN THIS DESIGN. ANY REPRODUCTION OR USE OF THIS DESIGN WITHOUT THE WRITTEN PERMISSION OF STACO ENERGY PRODUCTS CO. IS PROHIBITED.</small>	<small>DESIGN BY</small> TIM RAU	<small>DATE</small> 12/13/95	<small>WEIGHT</small> 13.4 LBS.	<small>DATE CODE</small> 83008	<small>REV. NO.</small> D
<small>THE INFORMATION AND DESIGN DETAILS ARE THE PROPERTY OF STACO ENERGY PRODUCTS CO. WHICH RESERVES ALL RIGHTS IN THIS DESIGN. ANY REPRODUCTION OR USE OF THIS DESIGN WITHOUT THE WRITTEN PERMISSION OF STACO ENERGY PRODUCTS CO. IS PROHIBITED.</small>	<small>DATE</small> 12/13/95	<small>WEIGHT</small> 13.4 LBS.	<small>DATE CODE</small> 83008	<small>REV. NO.</small> D	<small>REV. NO.</small> 031-7420



REV. NO. 031-7420
 SHEET 1 OF 1