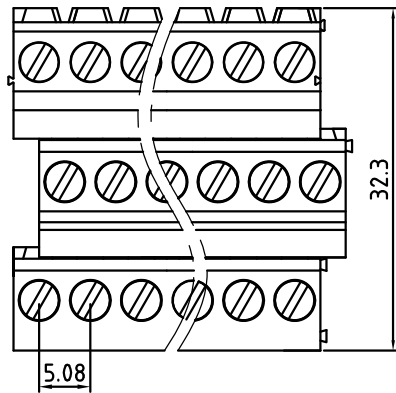
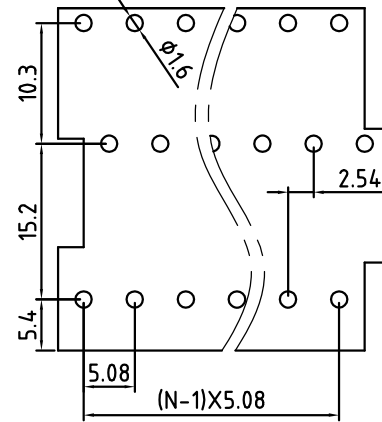


Transfer or duplication of this document as well as the utilisation or communication of its content are not permitted unless express consent is granted. Violations give rise to claims for damages. All rights reserved in case of patent, utility model or design patent registrations.



P.C.B. LAYOUT



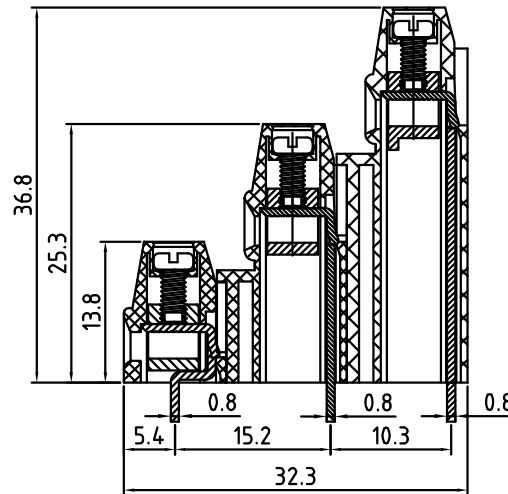
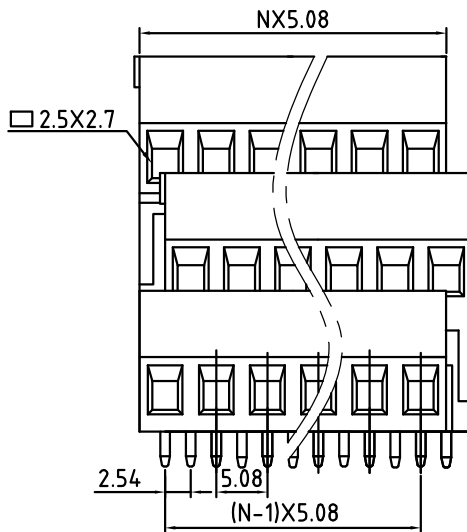
Technical Data:

Electrical

- Pitch: 5.08mm
- Voltage rating: 300V
- Current rating: 16 Amps
- Contact resistance: 20mΩ(max)
- Withstanding Voltage: 2500VAC(1min) Test time=60sec/1pcs
- Wire range: 12-24AWG
- Wire strip length: 6-7mm

Mechanical:

- Torque: 4.0kgf.cm/M2.5
- Operating temperature: -40°C to +105°C
- Soldering temperature
Temperature= 250°C±10°C / 5 seconds max
- Safety approval:
- RoHS Compliance



Part No.:

OSTYNXX2150

| | |
|--------------|---------------------|
| No. of Poles | COLOR |
| 02 2 Poles | 0: Black |
| 03 3 Poles | 2: Red |
| ... | 3: Orange |
| 24 24 Poles | 4: Yellow |
| | 5: Green (Standard) |
| | 6: Blue |
| | 8: Grey |

Nonstandard colors
Mins could apply

| 4 | Screw | Steel / M2.5 | Cr3+ plated | 3xN |
|------|--------------|----------------------------|---------------|------------|
| 3 | Contact | Copper Alloy | Ni plated | 3xN |
| 2 | Terminal | Copper Alloy | Tin plated | 3xN |
| 1 | Body | PA66 UL94V-0 | | 3 |
| ITEM | NAME OF PART | MATERIAL | NOTES | Q"TY |
| DWG. | DATE | UNITS: MM | SHEET: 1 OF 1 | Tolerance |
| CHK. | DATE | SCALE: NONE 3:1 (:) | REV.: A | X.X ±0.50 |
| APP. | DATE | TITLE: OSTYN SERIES 5.08MM | | X.XX ±0.10 |
| | | PART NO. OSTYNXX2150 | | X° ±1° |
| | | DWG NO. OSTYNXX2150.DWG | | |

| | | | | | |
|-----|---|------|-------------|------|------|
| REV | △ | SIGN | DESCRIPTION | CHK. | DATE |
|-----|---|------|-------------|------|------|



ON-SHORE TECHNOLOGY, INC.