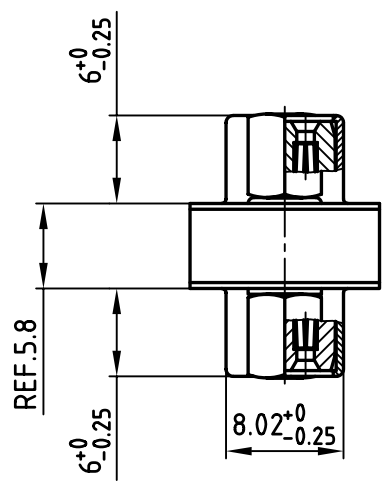
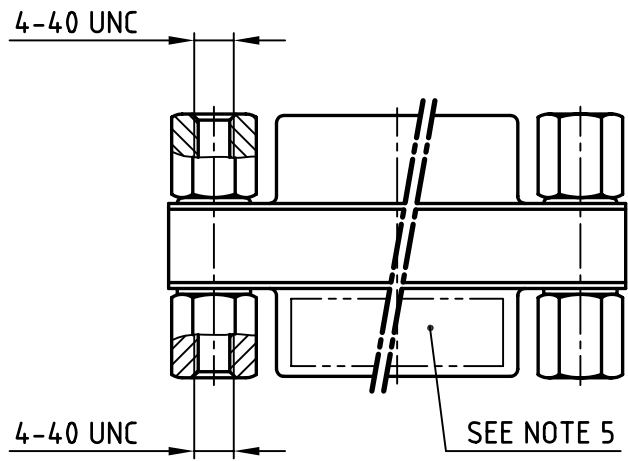
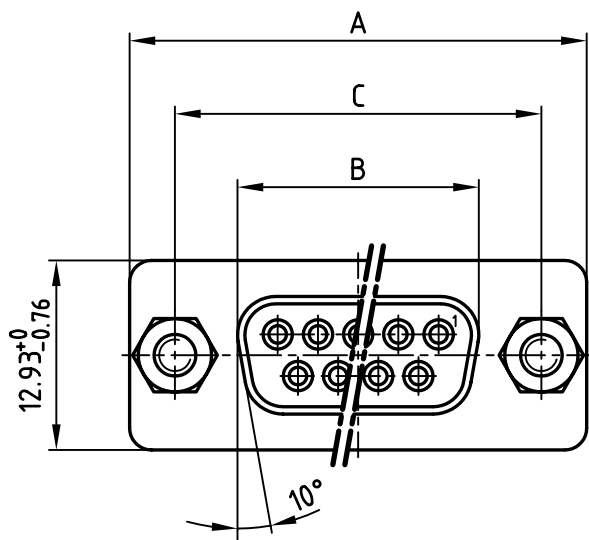


4 3 2 1
used for: D-SUB

POS.	A -0.76	B -0.25	C	Part-No.
9	31.19	16.46	25.00 ^{+0.12} / _{-0.13}	320X12519X
15	39.52	24.79	33.30 ^{+0.15} / _{-0.1}	320X12539X
25	53.42	38.50	47.04 ±0.13	320X10559X
37	69.70	54.96	63.50 ±0.13	320X12559X



Directive 2002/95/EC
"RoHS"
Compliant

NOTES:

- METALSHELLS: STEEL; min. 320µ" TIN
- INSULATORS: PBT GF UL 94 V-0, BLUE
- CONTACTS: COPPER ALLOY
PLATING: 8µ" HARD GOLD OVER min. 50µ" NICKEL
- MAXIMUM TORQUE VALUE FOR THREAD: 6" LBS
- CONNECTOR IS PART MARKED: PART-NO. CONEC ABC

APPROVAL # FREIGABE # DEBLOCAGE # AUTORIZACION # APPROVAL	
CUSTOMER APPROVAL DATE:	
NAME:	TITLE:
COMPANY NAME:	
APPROVAL # FREIGABE # DEBLOCAGE # AUTORIZACION # APPROVAL	

THIS DRAWING MAY NOT BE COPIED OR REPRODUCED IN ANY WAY, AND MAY NOT BE PASSED ON TO A THIRD PARTY WITHOUT WRITTEN PERMISSION.
 OWNERSHIP AND COPYRIGHT OF CONEC GmbH
 DO NOT ALTER CAD DRAWING BY HAND

tolerance			scale: 2:1
dim. in mm			material: SEE NOTES
2006	date	name	D-SUB GENDER CHANGER 2 x SOCKET CONNECTOR 9-37pos.
drawn	03.02.	Lehmenkühler	
appd.	03.02.	Mickenbecker	
norm	DIN 41652		
d-old			
a	Origin		dwg no: AutoCAD 2004
rev.	description	date	name



title:	DIN-A
16K1A1724	4
part no: SEE TABLE	sh: 1/1

4 3 2 1