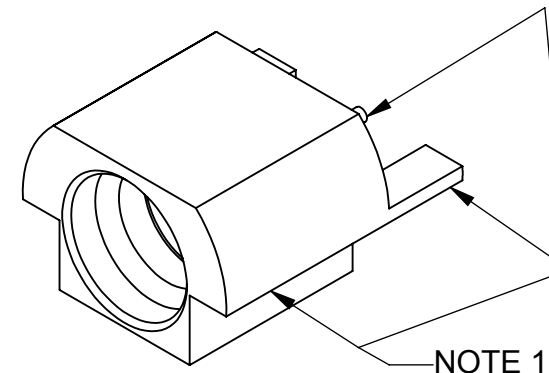
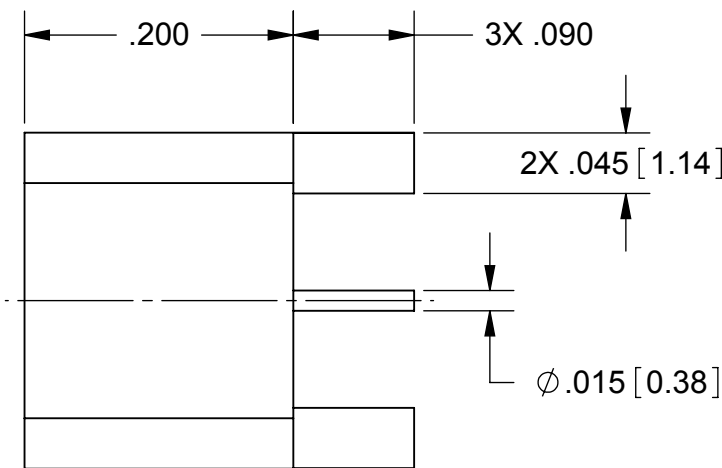
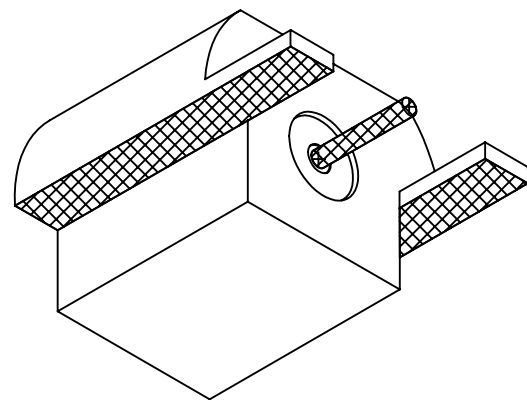
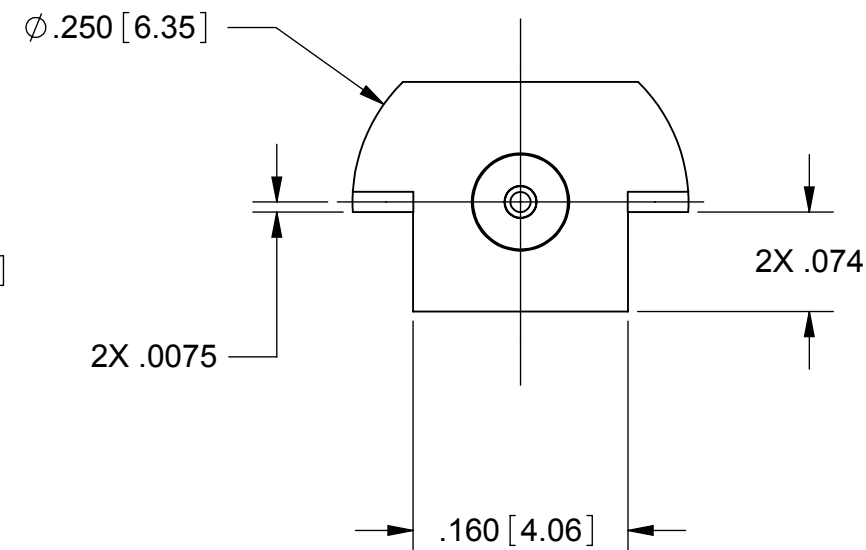
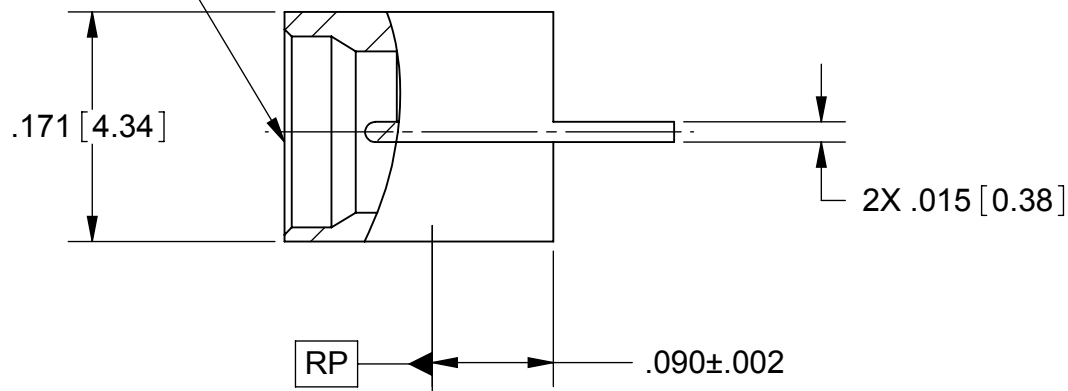


REVISION HISTORY			
REV	DESCRIPTION	DATE	APPROVED
-	DCN 42283	04/16	STW



INTERFACE PER MIL-STD-348 SEE TABLE



MATERIAL:
BODY: STAINLESS STEEL PER AMS-5640, ALLOY No. UNS S30300, TYPE 1
CONTACT: BERYLLIUM COPPER PER ASTM B196, ALLOY No. UNS C17300, TD04
INSULATOR: PTFE PER ASTM D1710, TYPE I, GRADE 1, CLASS B
FINISH:
BODY & CONTACT: GOLD PER ASTM B488, TYPE II, CODE C CLASS 1.27 OVER NICKEL PER AMS-QQ-N-290

PERFORMANCE:
IMPEDANCE: 50 OHMS
FREQ. RANGE: DC TO 18.0 GHz
INSUL. RES.: 5000 MEGOHMS, MIN.

- NOTES:**
- CENTER PIN, POSTS, AND CONNECTOR PCB MOUNT AREA TO BE PRE-TINNED USING Sn96 SOLDER.
 - ALL DIMENSIONS APPLY PRIOR TO PRE-TINNING.

PART NUMBER	INTERFACE
1211-66137-TD	FULL DETENT
1211-66138-TD	LIMITED DETENT
1211-66139-TD	SMOOTH BORE

MATERIAL: SEE NOTES	DIMENSIONS ARE IN INCHES TOLERANCES: FRACTIONAL: $\pm 1/64$ ANGULAR: X° $\pm 1'0''$ X°X' $\pm 15''$	UNLESS OTHERWISE SPECIFIED 1) ALL DIMENSIONS ARE IN INCHES (MILLIMETERS) 2) ALL DIMENSIONS ARE AFTER PLATING. 3) BREAK CORNERS & EDGES .005 R. MAX. 4) CHAM. 1ST & LAST THREADS. 5) SURFACE ROUGHNESS 63-MIL-STD-10. 6) DIA.'S ON COMMON CENTERS TO BE CONCENTRIC WITHIN .005 T.I.R. 7) REMOVE ALL BURRS	SV Microwave, Inc. 2400 Centrepark West Drive, Suite 100 West Palm Beach, FL 33409 TITLE: SMP MALE PCB EDGE MOUNT
FINISH: SEE NOTES	DECIMAL: .X $\pm .030$.XX $\pm .010$.XXX $\pm .005$	INTERPRET DIMENSIONS AND TOLERANCES PER ASME Y14.5M - 1994	
SURFACE AREA: N/A	THIRD ANGLE PROJECTION	DRAWN: MAL 04/26/16	SIZE: B CAGE CODE: 95077 DWG. NO.: 1211-66137-66139-TD
PROPRIETARY THE INFORMATION CONTAINED IN THIS DRAWING IS THE SOLE PROPERTY OF SV MICROWAVE, INC. ANY REPRODUCTION IN PART OR AS A WHOLE WITHOUT THE WRITTEN PERMISSION OF SV MICROWAVE, INC IS PROHIBITED.		CHECKED: STW 04/26/16	SCALE: 16:1
		APPROVED: STW 04/26/16	SHEET 1 OF 1