

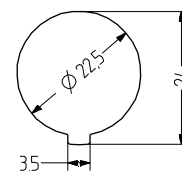
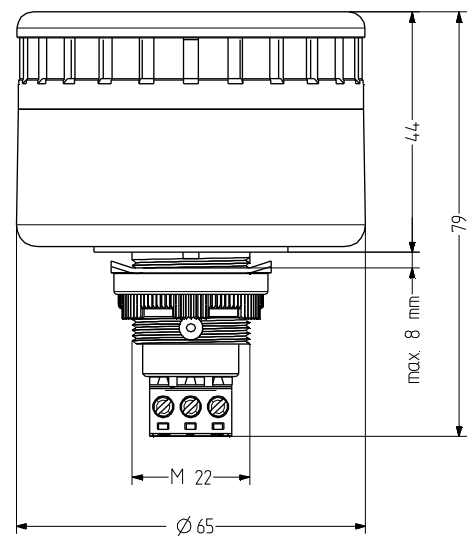
ESG Panel mount buzzer

- \varnothing 65 mm panel-mount buzzer
- Max. 105 dB (A) sound pressure, infinitely adjustable
- High degree of protection IP 65
- Panel size \varnothing 22.5 mm/M22
- 3 easily distinguishable tones
- User-friendly connection technology
- For industrial and general applications
- Adapter available for M30.5 mm panel size



TECHNICAL DATA

Housing	\varnothing 65 mm Polycarbonate black (RAL 9005) or grey (RAL 7035)
Type of mounting	any
Panel size	22 mm (M22) and 30.5 mm (with adapter)
Connection technology	plug-in screw terminal bis 2,5 mm ²
Leakage current	0,003 A
Tone	3 Tones, 3 Tones can be switched externally, Steady tone, Pulsing tone or Alternating
Volume	85-105 dB (can be adjusted with potentiometer)
Tone frequency	3.300 Hz
Duty cycle	100 %
Operating temperature	-25 °C / +60 °C
Degree of protection	IP65 & UL Type 4/4x/13
Weight	65 g



ESG

ORDER DATA

Nominal voltage	Voltage range (V)	Nominal current (A)	Mains frequency	Housing colour	
				grey	black
12-24 V AC/DC	8-24	0,057	50-60 Hz	814 100 405	814 500 405
110-120 V AC	75-140	0,042	50-60 Hz	814 100 310	814 500 310
230 V AC	150-260	0,044	50-60 Hz	814 100 313	814 500 313



ADM30

ACCESSORIES

Type	Type of accessory	Weight	Order number
ADM30	Adapter for M30.5 for 30.5 mm holes	8 g	812 500 900

tone TABLE

Tone on terminal

La	N	Lb	
X	X		pulsing tone
	X	X	wobble tone
X	X	X	continuous tone

