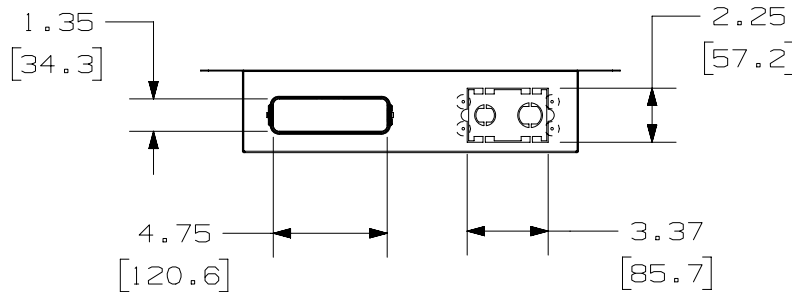
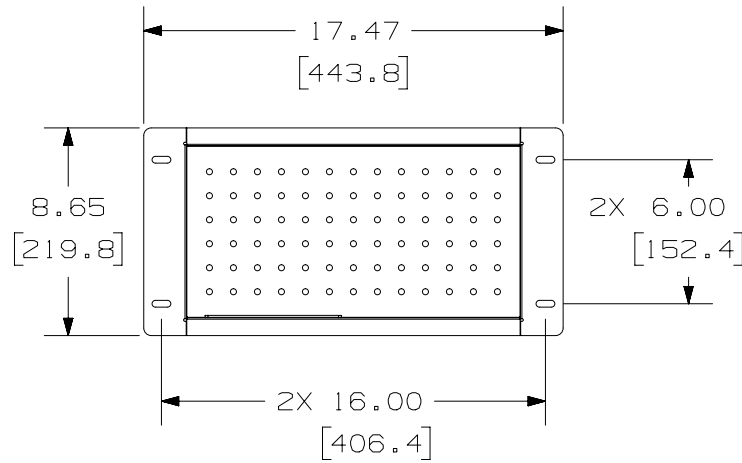
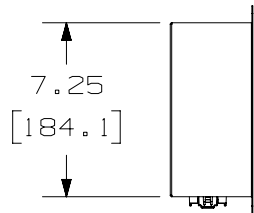
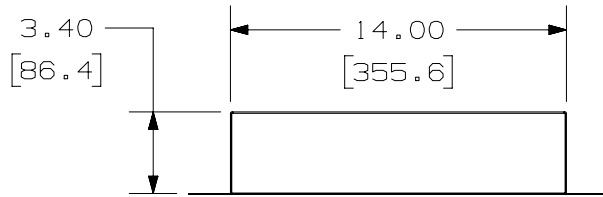
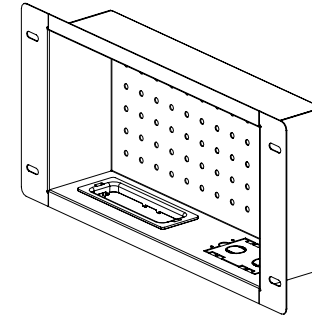


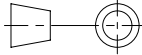
THIS COPY IS PROVIDED ON A RESTRICTED BASIS AND IS NOT TO BE USED IN ANY WAY DETRIMENTAL TO THE INTERESTS OF PANDUIT CORP.



NOTES:

1. VISIT OUR ON-LINE CATALOG AT WWW.PANDUIT.COM FOR A LIST OF CURRENT PARTS APPLICABLE FOR USE WITH THIS PRODUCT.
2. DIMENSIONS IN () ARE METRIC.
3. ALL MATERIALS AND COMPONENTS USED MEET THE MATERIAL RESTRICTIONS OF RoHS (EUROPEAN DIRECTIVE 2011/65/EU ON THE RESTRICTION OF HAZARDOUS SUBSTANCES) AS PROPOSED BY THE RoHS TECHNICAL ADAPTATION COMMITTEE.
4. WEIGHT: 2.26 LB (1025.12 g)
5. PART INCLUDES:
 - 1 - AV IN WALL BOX
 - 1 - CABLE PASS-THRU BEZEL
 - 2 - RELEASABLE PUSH MOUNT CABLE TIES



PART NUMBER		CMBBSWH		
TITLE		AV IN WALL BOX, SMALL		
		CUSTOMER DRAWING		
ITEM REVISION NAME		00101EBA/03		
DATASET FILE NAME		00101EBA_DC/03A		
		THIRD ANGLE PROJECTION		
MATERIAL		C.R.S.		
		DRAWING NUMBER		
		00101EBA-DC		
REV	DATE	BY	CHK	APR
03A	04/12/18	BSN	BSN	AMY
INITIAL RELEASE				
DESCRIPTION				
ECN				
DRAWN BY		DATE		CHK
BSN		04/12/18		BSN
SCALE		NONE		
SHEET 1 OF 1				SIZE
				A