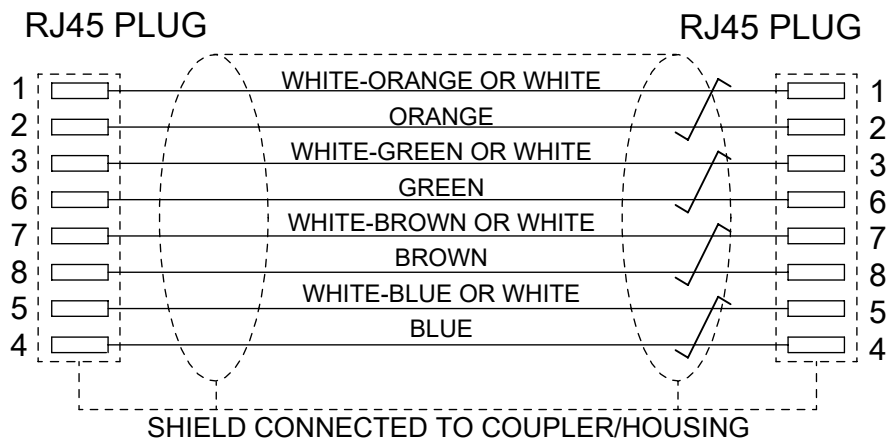
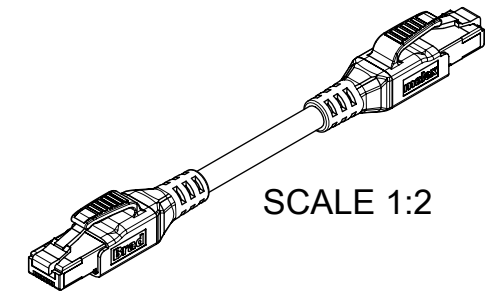
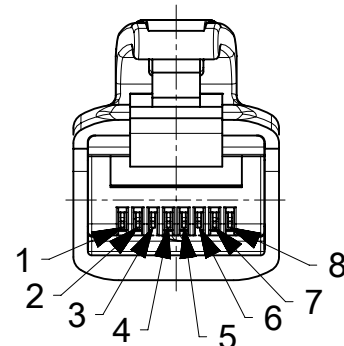


WIRING DIAGRAM



RJ45 PLUG FRONT VIEW



NOTES:  
 VOLTAGE RATING: 30 V A.C. OR 42 V D.C.  
 CURRENT RATING: 0.5 A  
 TEMPERATURE RATING:  
 STATIC: -40 °C TO 80 °C  
 DYNAMIC: -20 °C TO 80 °C  
 IP RATING: IP 20  
 TRANSMISSION CHARACTERISTICS ACCORDING TO ISO 11801 CLASS E<sub>A</sub> CHANNEL

CABLE PRINTING:  
 [MOLEX ETHERNET CABLE CAT6A 4x2x26] [MX PN] [(MX OLD ENG NO)] [DATE CODE]  
 i.e. MOLEX ETHERNET CABLE CAT6A 4x2x26 1203410960(E66E06020M200) MX1922  
 PACKAGING: CORDSETS ARE PACKED IN A POLYBAG

BOM: \* NOTE : ID CARRIER ONLY FOR ENGINEERING NUMBERS WITH THE SUFFIX "H" (SEE TABLE 1)

ITEM	QTY	DESCRIPTION	MATERIAL	FINISH/COLOR
1	2	RJ45-PLUG 8P8C SHLD LONG BODY	-	-
2	-	CABLE 4X2X26/7AWG DIA 6.9	PUR	GREEN Similar RAL6026
3	16	CONTACT RJ45	PHOSPHOR BRONZE	SELECTIVE Au PLATED
4	-	OVERMOLD	TPU	BLACK
5	2	I/D CARRIER 6-10mmx30mm	PVC	TRANSPARENT

CABLE LENGTH TOLERANCES

LENGTH	TOLERANCE
0 m - 1 m	+40 mm
>1 m - 5 m	+60 mm
>5 m - 10 m	+80 mm
>10 m - 20 m	+140 mm
>20 m - 30 m	+160 mm
>30 m	+1% length

TABLE 1

MOLEX PN	ENGINEERING NO.	DESCRIPTION	LENGTH
1203410960	E66E06020M200	CSE RJ45 CAT6A 8P 0C FE STR PUR 20M	20000
1203410961	E66E06020M300	CSE RJ45 CAT6A 8P 0C FE STR PUR 30M	30000
1203410962	E66E06020M400	CSE RJ45 CAT6A 8P 0C FE STR PUR 40M	40000
1203410963	E66E06020M500	CSE RJ45 CAT6A 8P 0C FE STR PUR 50M	50000
1203410964	E66E06020M600	CSE RJ45 CAT6A 8P 0C FE STR PUR 60M	60000
1203410965	E66E06020M700	CSE RJ45 CAT6A 8P 0C FE STR PUR 70M	70000
1203410966	E66E06020M800	CSE RJ45 CAT6A 8P 0C FE STR PUR 80M	80000
WITH ID CARRIER			
1203410967	E66E06020M030H	CSE RJ45 CAT6A 8P 0C FE STR PUR 3M-ID	3000
1203410971	E66E06020M060H	CSE RJ45 CAT6A 8P 0C FE STR PUR 6M-ID	6000
1203410970	E66E06020M080H	CSE RJ45 CAT6A 8P 0C FE STR PUR 8M-ID	8000
1203410969	E66E06020M170H	CSE RJ45 CAT6A 8P 0C FE STR PUR 17M-ID	17000
1203410973	E66E06020M250H	CSE RJ45 CAT6A 8P 0C FE STR PUR 25M-ID	25000
1203410968	E66E06020M460H	CSE RJ45 CAT6A 8P 0C FE STR PUR 46M-ID	46000
1203410972	E66E06020M530H	CSE RJ45 CAT6A 8P 0C FE STR PUR 53M-ID	53000

THIS DRAWING CONTAINS INFORMATION THAT IS PROPRIETARY TO MOLEX ELECTRONIC TECHNOLOGIES, LLC AND SHOULD NOT BE USED WITHOUT WRITTEN PERMISSION

FUNCTIONAL DIMENSION UNITS: mm SCALE: 2:1

GENERAL TOLERANCES (UNLESS SPECIFIED):

ANGULAR TOL ± °

4 PLACES ±

3 PLACES ±

2 PLACES ±

1 PLACE ±

0 PLACES ±

DRAFT WHERE APPLICABLE MUST REMAIN WITHIN DIMENSIONS

THIRD ANGLE PROJECTION

DRAWING: A3-SIZE

SERIES: 120341

MATERIAL NUMBER: SEE TABLE 1

CUSTOMER: GENERAL MARKET

SHEET NUMBER: 1 OF 1

EC NO: 672546

DRWN: RSCHIEBER 2021/08/04

CHK'D: RSILLER 2021/08/10

APPR: RSILLER 2021/08/10

INITIAL REVISION:

DRWN: MDHARMANTI 2021/05/20

APPR: RSILLER 2021/05/27

DOCUMENT NUMBER: 1203410960

DOC TYPE: PSD

DOC PART: 000

REVISION: A1

**molex**

CSE RJ45 CAT6A 8P 0C FE STR PUR XM

PRODUCT CUSTOMER DRAWING