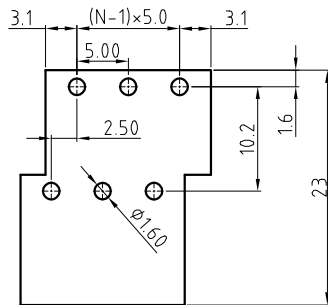
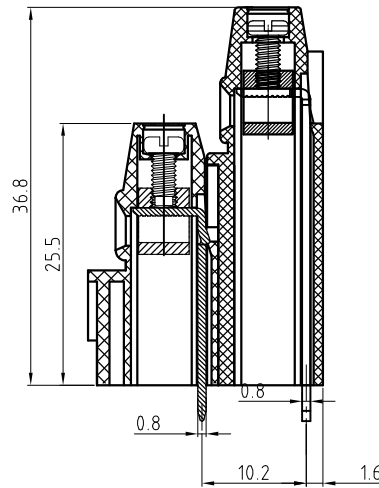
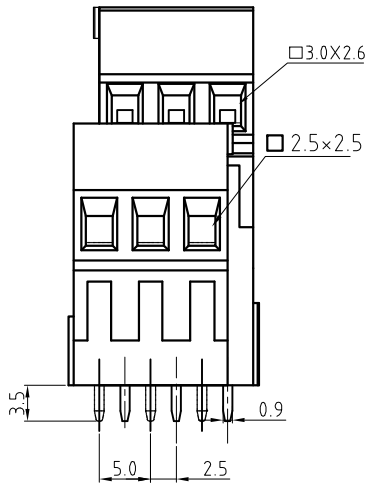
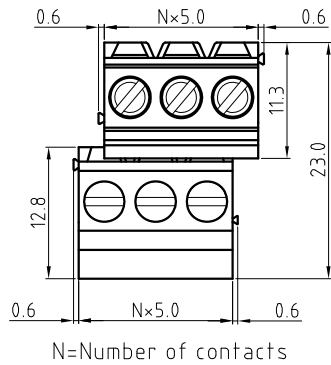


Transfer or duplication of this document as well as the utilisation or communication of its content are not permitted unless express consent is granted. Violations give rise to claims for damages. All rights reserved in case of patent, utility model or design patent registrations.



P.C.B LAYOUT

Technical Data:

Electrical

- Pitch: 5.0mm
- Voltage rating: 300V
- Current rating: 16 Amps
- Contact resistance: 20mΩ(max)
- Withstanding Voltage: 2500VAC(1min) Test time=60sec/1pcs
- Wire range: 12-30AWG
- Wire strip length: 6-7mm

Mechanical:

- Torque: 4.5kgf.cm/M2.5
- Operating temperature: -40°C to +105°C
- Soldering temperature
- Temperature= 250°C±10°C /5 seconds max
- Safety approval (pending):
- RoHS Compliance

Part No.:

**OSTYMXX0150**

|  |                     |
|--|---------------------|
| No. of Poles                           | COLOR               |
| 02 2 Poles                             | 0: Black            |
| 03 3 Poles                             | 2: Red              |
| ...                                    | 3: Orange           |
| 24 24 Poles                            | 4: Yellow           |
|  | 5: Green (Standard) |
|  | 6: Blue             |
|  | 8: Grey             |
| Nonstandard colors<br>Mins could apply |                     |

| 5    | Screw          | Steel / M2.5 | Cr3+ plated        | 2xN           |            |
|------|----------------|--------------|--------------------|---------------|------------|
| 4    | Contact        | Copper Alloy | Ni plated          | 2xN           |            |
| 3    | Short Terminal | Copper Alloy | Tin plated         | 1xN           |            |
| 2    | Long Terminal  | Copper Alloy | Tin plated         | 1xN           |            |
| 1    | Body           | PA66 UL94V-0 |                    | 2             |            |
| ITEM | NAME OF PART   | MATERIAL     | NOTES              | Q'TY          |            |
| DWG. | DATE           | UNITS:       | MM                 | SHEET: 1 OF 1 | Tolerance  |
| CHK. | DATE           | SCALE:       | NONE 2:1 ( : )     | REV.: A       | X. ±0.50   |
| APP. | DATE           | TITLE:       | OSTYM SERIES 5.0MM |               | X.X ±0.30  |
|      |                | PART NO.     | OSTYMXX0150        |               | X.XX ±0.10 |
|      |                | DWG NO.      | OSTYMXX0150.DWG    |               | X° ±1°     |

| REV | SIGN | DESCRIPTION | CHK. | DATE |
|-----|------|-------------|------|------|
|     |      |             |      |      |



ON-SHORE TECHNOLOGY, INC.