



### Main

|                           |                                  |
|---------------------------|----------------------------------|
| Range of Product          | Harmony 9001K                    |
| Product or Component Type | Mushroom head push-button        |
| Product Compatibility     | Contact block 9001KA..           |
| Device short name         | 9001K                            |
| Type of operator          | Spring return                    |
| Operator profile          | Black mushroom Ø 60 mm, unmarked |

### Complementary

|                                 |                                  |
|---------------------------------|----------------------------------|
| Bezel material                  | Chromium plated metal            |
| Mounting diameter               | 1.18 in (30 mm)                  |
| CAD overall width               | 2.36 in (60 mm)                  |
| CAD overall height              | 2.36 in (60 mm)                  |
| CAD overall depth               | 2.76 in (70 mm)                  |
| Net Weight                      | 0.33 lb(US) (0.15 kg)            |
| Operating position              | Any position                     |
| Shape of signaling unit head    | Round                            |
| Head material                   | Metal                            |
| Operator additional information | Screw-in with set screw security |
| Operator position information   | 2 positions                      |
| Contacts type and composition   | Without contact block            |
| Mechanical durability           | 5000000 cycles                   |
| Device presentation             | Basic element                    |

### Environment

|                                       |  |
|---------------------------------------|--|
| Protective treatment                  | TC   |
| Ambient Air Temperature for Storage   | -40...158 °F (-40...70 °C)   |
| Ambient air temperature for operation | -13...158 °F (-25...70 °C)   |
| Overvoltage category                  | Class II IEC 61140   |
| IP degree of protection               | IP66 IEC 60529   |
| NEMA degree of protection             | NEMA 1<br>NEMA 12<br>NEMA 13<br>NEMA 2<br>NEMA 3<br>NEMA 3R<br>NEMA 4<br>NEMA 6                                |
| Standards                             | EN/IEC 60947-5-1<br>EN/IEC 60947-1<br>EN/IEC 60947-5-4<br>JIS C 4520<br>JIS C 852<br>UL 508<br>CSA C22.2 No 14 |
| Product Certifications                | NEMA<br>UL 508   |

|                      |                               |
|----------------------|-------------------------------|
| Vibration resistance | 7 gn 2...500 Hz)IEC 60068-2-6 |
| Shock resistance     | 50 gn IEC 60068-2-27          |

### Ordering and shipping details

|                       |                               |
|-----------------------|-------------------------------|
| Category              | 21426 - 9001 K (NOT KA,KM,KX) |
| Discount Schedule     | CS1                           |
| GTIN                  | 785901610779                  |
| Nbr. of units in pkg. | 1                             |
| Package weight(Lbs)   | 4.80 oz (136.078 g)           |
| Returnability         | No                            |
| Country of origin     | MX                            |

### Packing Units

|                        |                   |
|------------------------|-------------------|
| Unit Type of Package 1 | PCE               |
| Package 1 Height       | 3.00 in (7.62 cm) |
| Package 1 width        | 2.00 in (5.08 cm) |
| Package 1 Length       | 2.50 in (6.35 cm) |

### Offer Sustainability

|                            |   |
|----------------------------|---|
| Sustainable offer status   | Green Premium product   |
| California proposition 65  | WARNING: This product can expose you to chemicals including: Lead and lead compounds, which is known to the State of California to cause cancer and birth defects or other reproductive harm. For more information go to <a href="http://www.P65Warnings.ca.gov">www.P65Warnings.ca.gov</a> |
| REACH Regulation           | <a href="#">REACH Declaration</a>   |
| EU RoHS Directive          | Pro-active compliance (Product out of EU RoHS legal scope) <a href="#">EU RoHS Declaration</a>  |
| Mercury free               | Yes   |
| RoHS exemption information | <a href="#">Yes</a>   |
| China RoHS Regulation      | <a href="#">China RoHS Declaration</a>  |
| Environmental Disclosure   | <a href="#">Product Environmental Profile</a>   |
| WEEE                       | The product must be disposed on European Union markets following specific waste collection and never end up in rubbish bins.  |

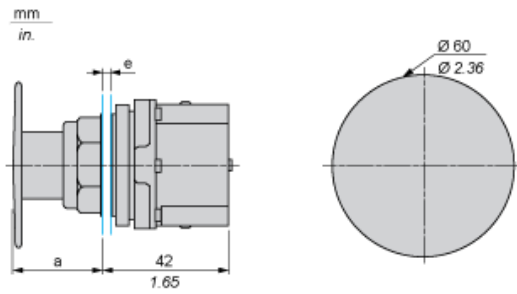
### Contractual warranty

|          |           |
|----------|-----------|
| Warranty | 18 months |
|----------|-----------|

---

Dimensions

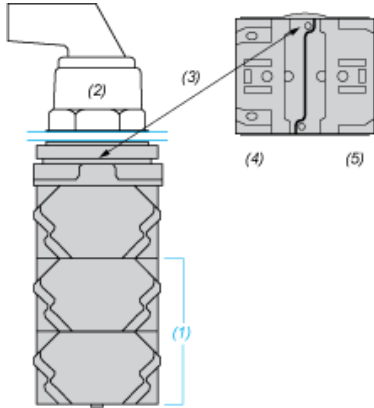
---



- e panel thickness: 1 to 6 mm / 0.04 to 0.24 in.  
a 28 mm / 1.10 in.

Contact Block Mounting Position

Top and Rear views



- (1) It is possible to mount up to 3 levels of contacts blocks (maximum of 6 contacts blocks)
- (2) Operator
- (3) Locating notch
- (4) Side 1
- (5) Side 2

Panel Cut-Out

Clearance



| Legend plate | a min. |      | b min. |      |
|--------------|--------|------|--------|------|
|              | mm     | in.  | mm     | in.  |
| 9001KN2••    | 57.2   | 2.25 | 57.2   | 2.25 |
| 9001KN3••    | 57.2   | 2.25 | 57.2   | 2.25 |

Individual Cut-outs Details

2 alternatives

