

**MATERIAL**

Glass-fibre reinforced polyamide (PA) SUPER-technopolymer, black colour, matte finish.

**PACKING RING**

NBR synthetic rubber O-Ring.

In addition to guaranteeing the O-ring retention, the seat for the housing allows an optimal seal even with minimum tightening torques.

**MAXIMUM CONTINUOUS WORKING TEMPERATURE**

100°C.

**TECHNICAL DATA**

In laboratory tests carried out with mineral oil type CB68 (according to ISO 3498) at 23°C for a limited period of time, the values of pressure resistance were much higher than 100 bar.

In any case, we suggest to check the suitability of the product with regard to the fluid nature, operating temperature and application type under the actual working conditions.

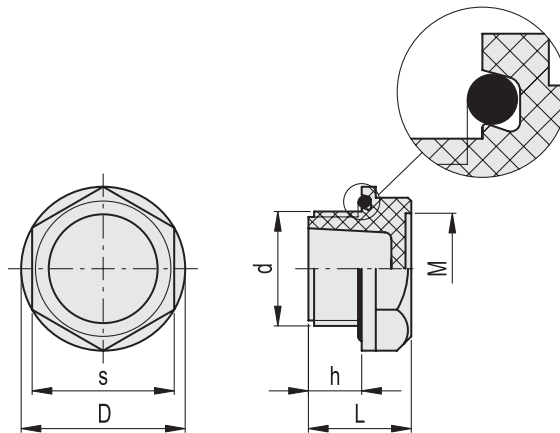
**OTHER STANDARD EXECUTIONS**

- TCR. (see page 1517): oil fill plugs for high pressures.
- TSR. (see page 1519): oil drain plugs for high pressures.



ELESA Original design

Conversion Table 1 mm = 0.039 inch	
D	
mm	inch
22	0.87
25.5	1.00
32	1.26
37	1.46
44	1.73
53.5	2.11
63.5	2.50



Code	Description	d	h	s	D	L	M	⚖️
158285	TNR.14x1.5	M14x1.5	9	19	22	17	15	4
158286	TNR.16x1.5	M16x1.5	10	22	25.5	18	17	6
158287	TNR.20x1.5	M20x1.5	11	27	32	20	20.5	8
158288	TNR.26x1.5	M26x1.5	12	32	37	22	25	14
158289	TNR.27x1.5	M27x1.5	12	32	37	22	25	14
158290	TNR.33x1.5	M33x1.5	13	38	44	23	31	18
158291	TNR.40x1.5	M40x1.5	14	46	53.5	26	38	19
158292	TNR.42x2	M42x2	15	46	53.5	26	38	21
158295	TNR.1/4	G 1/4	9	19	22	17	15	4
158296	TNR.3/8	G 3/8	9	22	25.5	18	17	6
158297	TNR.1/2	G 1/2	11	27	32	20	20.5	8
158298	TNR.3/4	G 3/4	12	32	37	22	25	14
158299	TNR.1	G 1	13	38	44	23	31	18
158411	TNR.1 ¼	G1 1/4	14	46	53.5	26	38	32
158413	TNR.1 ½	G1 1/2	15	55	63.5	28	46	51

