

The S-1324 Series, developed by using the CMOS technology, is a positive voltage regulator IC which has low noise and low dropout voltage.

Output noise is as low as 17 μVrms typ., and a ceramic capacitor of 1.0 μF or more can be used as the input and output capacitors.

It also has high-accuracy output voltage of $\pm 1.0\%$.

■ Features

- Output voltage: 1.0 V to 3.5 V, selectable in 0.05 V step.
- Input voltage: 1.5 V to 5.5 V
- Output voltage accuracy: $\pm 1.0\%$ (1.0 V to 1.45 V output product: ± 15 mV)
- Dropout voltage: 170 mV typ. (2.8 V output product, at $I_{\text{OUT}} = 100$ mA)
- Current consumption: During operation: 7 μA typ., 12 μA max.
During power-off: 0.01 μA typ., 0.1 μA max.
- Output current: Possible to output 100 mA
(at $1.0 \text{ V} \leq V_{\text{OUT(S)}} < 1.2 \text{ V}$, $V_{\text{IN}} \geq V_{\text{OUT(S)}} + 1.0 \text{ V}$)*¹
Possible to output 200 mA
(at $V_{\text{OUT(S)}} \geq 1.2 \text{ V}$, $V_{\text{IN}} \geq V_{\text{OUT(S)}} + 1.0 \text{ V}$)*¹
- Input capacitor: A ceramic capacitor can be used. (1.0 μF or more)
- Output capacitor: A ceramic capacitor can be used. (1.0 μF or more)
- Output noise: 17 μVrms typ. (at BW = 10 Hz to 100 kHz)
- Ripple rejection: 65 dB typ. (at f = 1.0 kHz)
- Built-in overcurrent protection circuit: Limits overcurrent of output transistor
- Built-in thermal shutdown circuit: Detection temperature 150°C typ.
- Built-in ON / OFF circuit: Ensures long battery life
Discharge shunt function "available" / "unavailable" is selectable.
Pull-down function "available" / "unavailable" is selectable.
- Operation temperature range: $T_a = -40^\circ\text{C}$ to $+85^\circ\text{C}$
- Lead-free (Sn 100%), halogen-free

*1. Please make sure that the loss of the IC will not exceed the power dissipation when the output current is large.

■ Applications

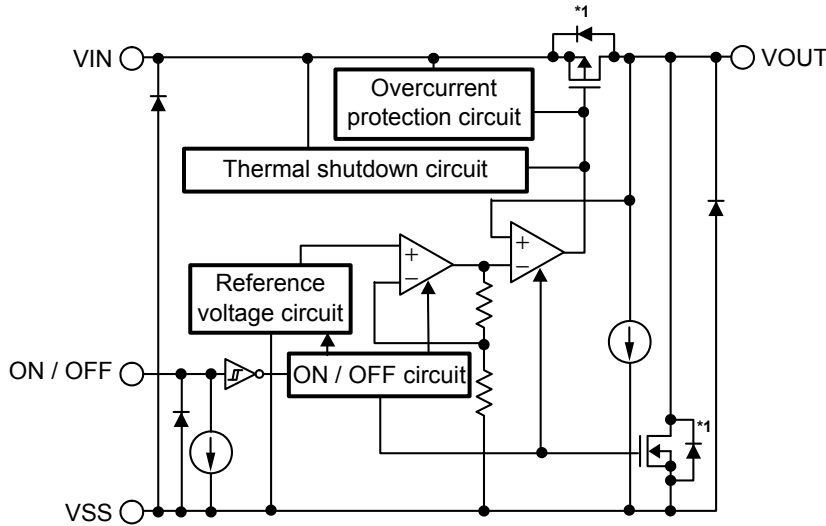
- Constant-voltage power supply for communication module and home electric appliance with communication function
- Constant-voltage power supply for portable communication device, digital camera, and digital audio player
- Constant-voltage power supply for battery-powered device
- Constant-voltage power supply for home electric appliance

■ Packages

- SOT-23-5
- SC-82AB
- HSNT-4(1010)

■ Block Diagrams

1. S-1324 Series A type

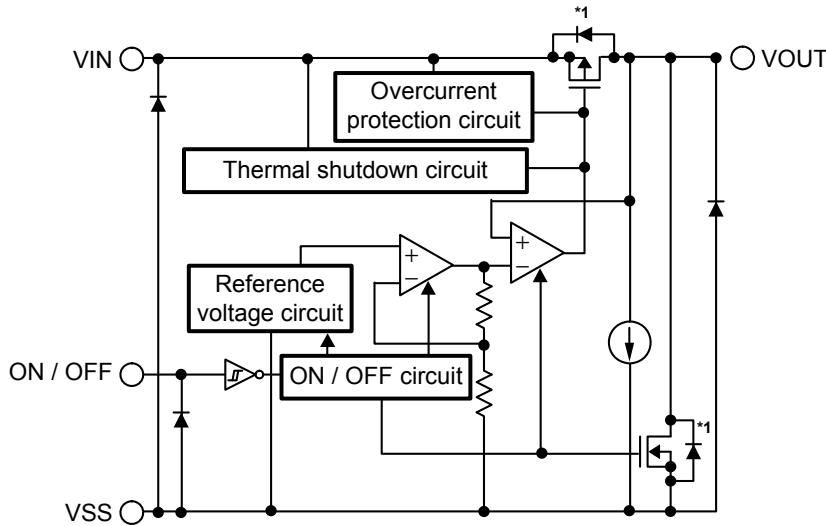


Function	Status
ON / OFF logic	Active "H"
Discharge shunt function	Available
Constant current source pull-down	Available

*1. Parasitic diode

Figure 1

2. S-1324 Series B type

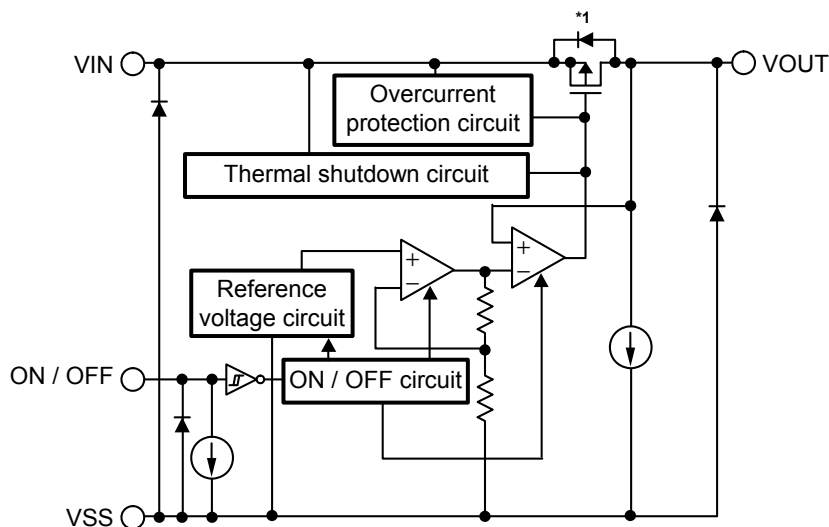


Function	Status
ON / OFF logic	Active "H"
Discharge shunt function	Available
Constant current source pull-down	Unavailable

*1. Parasitic diode

Figure 2

3. S-1324 Series C type

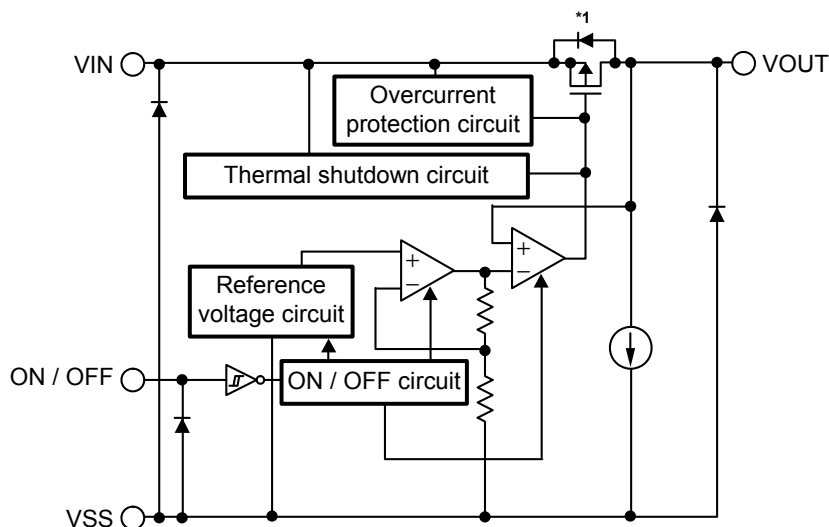


Function	Status
ON / OFF logic	Active "H"
Discharge shunt function	Unavailable
Constant current source pull-down	Available

*1. Parasitic diode

Figure 3

4. S-1324 Series D type



Function	Status
ON / OFF logic	Active "H"
Discharge shunt function	Unavailable
Constant current source pull-down	Unavailable

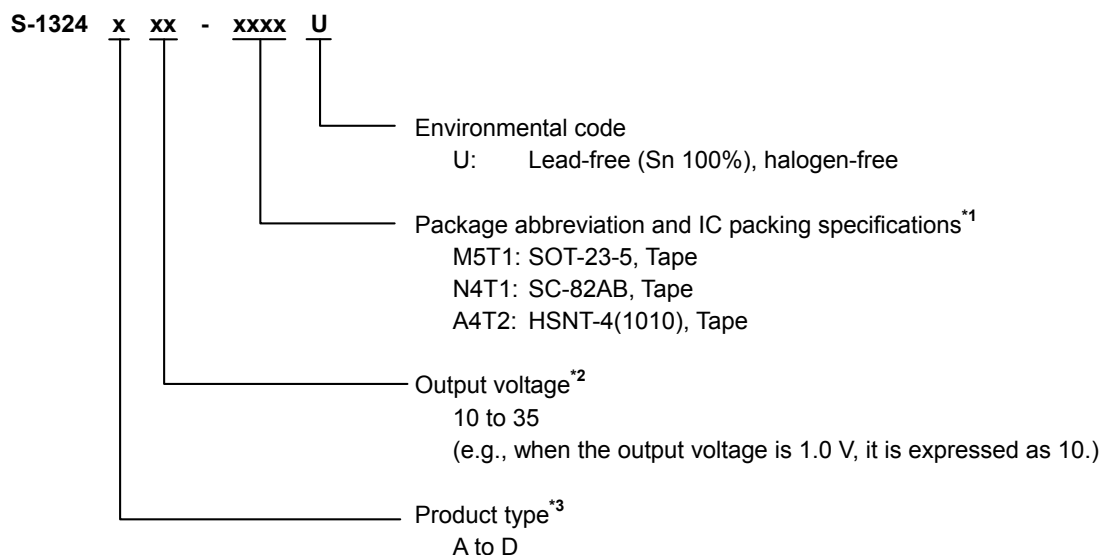
*1. Parasitic diode

Figure 4

■ Product Name Structure

Users can select the product type, output voltage, and package type for the S-1324 Series. Refer to "1. Product name" regarding the contents of product name, "2. Function list of product type" regarding the product type, "3. Packages" regarding the package drawings, "4. Product name list" regarding details of the product name.

1. Product name



*1. Refer to the tape drawing.

*2. If you request the product which has 0.05 V step, contact our sales office.

*3. Refer to "2. Function list of product type" and "3. ON / OFF pin" in "■ Operation".

2. Function list of product type

Table 1

Product Type	ON / OFF Logic	Discharge Shunt Function	Constant Current Source Pull-down
A	Active "H"	Available	Available
B	Active "H"	Available	Unavailable
C	Active "H"	Unavailable	Available
D	Active "H"	Unavailable	Unavailable

3. Packages

Table 2 Package Drawing Codes

Package Name	Dimension	Tape	Reel	Land
SOT-23-5	MP005-A-P-SD	MP005-A-C-SD	MP005-A-R-SD	-
SC-82AB	NP004-A-P-SD	NP004-A-C-SD NP004-A-C-S1	NP004-A-R-SD	-
HSNT-4(1010)	PL004-A-P-SD	PL004-A-C-SD	PL004-A-R-SD	PL004-A-L-SD

4. Product name list

4.1 S-1324 Series A type

ON / OFF logic: Active "H"

Discharge shunt function: Available

Constant current source pull-down: Available

Table 3

Output Voltage	SOT-23-5	SC-82AB	HSNT-4(1010)
1.0 V \pm 15 mV	S-1324A10-M5T1U	S-1324A10-N4T1U	S-1324A10-A4T2U
1.1 V \pm 15 mV	S-1324A11-M5T1U	S-1324A11-N4T1U	S-1324A11-A4T2U
1.2 V \pm 15 mV	S-1324A12-M5T1U	S-1324A12-N4T1U	S-1324A12-A4T2U
1.3 V \pm 15 mV	S-1324A13-M5T1U	S-1324A13-N4T1U	S-1324A13-A4T2U
1.4 V \pm 15 mV	S-1324A14-M5T1U	S-1324A14-N4T1U	S-1324A14-A4T2U
1.5 V \pm 1.0%	S-1324A15-M5T1U	S-1324A15-N4T1U	S-1324A15-A4T2U
1.8 V \pm 1.0%	S-1324A18-M5T1U	S-1324A18-N4T1U	S-1324A18-A4T2U
2.25 V \pm 1.0%	S-1324A2C-M5T1U	S-1324A2C-N4T1U	S-1324A2C-A4T2U
2.3 V \pm 1.0%	S-1324A23-M5T1U	S-1324A23-N4T1U	S-1324A23-A4T2U
2.5 V \pm 1.0%	S-1324A25-M5T1U	S-1324A25-N4T1U	S-1324A25-A4T2U
2.7 V \pm 1.0%	S-1324A27-M5T1U	S-1324A27-N4T1U	S-1324A27-A4T2U
2.75 V \pm 1.0%	S-1324A2H-M5T1U	S-1324A2H-N4T1U	S-1324A2H-A4T2U
2.8 V \pm 1.0%	S-1324A28-M5T1U	S-1324A28-N4T1U	S-1324A28-A4T2U
2.85 V \pm 1.0%	S-1324A2J-M5T1U	S-1324A2J-N4T1U	S-1324A2J-A4T2U
3.0 V \pm 1.0%	S-1324A30-M5T1U	S-1324A30-N4T1U	S-1324A30-A4T2U
3.3 V \pm 1.0%	S-1324A33-M5T1U	S-1324A33-N4T1U	S-1324A33-A4T2U

Remark Please contact our sales office for products with specifications other than the above output voltage.

4.2 S-1324 Series B type

ON / OFF logic: Active "H"
 Discharge shunt function: Available Constant current source pull-down: Unavailable

Table 4

Output Voltage	SOT-23-5	SC-82AB	HSNT-4(1010)
1.0 V ± 15 mV	S-1324B10-M5T1U	S-1324B10-N4T1U	S-1324B10-A4T2U
1.1 V ± 15 mV	S-1324B11-M5T1U	S-1324B11-N4T1U	S-1324B11-A4T2U
1.2 V ± 15 mV	S-1324B12-M5T1U	S-1324B12-N4T1U	S-1324B12-A4T2U
1.3 V ± 15 mV	S-1324B13-M5T1U	S-1324B13-N4T1U	S-1324B13-A4T2U
1.4 V ± 15 mV	S-1324B14-M5T1U	S-1324B14-N4T1U	S-1324B14-A4T2U
1.5 V ± 1.0%	S-1324B15-M5T1U	S-1324B15-N4T1U	S-1324B15-A4T2U
1.8 V ± 1.0%	S-1324B18-M5T1U	S-1324B18-N4T1U	S-1324B18-A4T2U
2.25 V ± 1.0%	S-1324B2C-M5T1U	S-1324B2C-N4T1U	S-1324B2C-A4T2U
2.3 V ± 1.0%	S-1324B23-M5T1U	S-1324B23-N4T1U	S-1324B23-A4T2U
2.5 V ± 1.0%	S-1324B25-M5T1U	S-1324B25-N4T1U	S-1324B25-A4T2U
2.7 V ± 1.0%	S-1324B27-M5T1U	S-1324B27-N4T1U	S-1324B27-A4T2U
2.75 V ± 1.0%	S-1324B2H-M5T1U	S-1324B2H-N4T1U	S-1324B2H-A4T2U
2.8 V ± 1.0%	S-1324B28-M5T1U	S-1324B28-N4T1U	S-1324B28-A4T2U
2.85 V ± 1.0%	S-1324B2J-M5T1U	S-1324B2J-N4T1U	S-1324B2J-A4T2U
3.0 V ± 1.0%	S-1324B30-M5T1U	S-1324B30-N4T1U	S-1324B30-A4T2U
3.3 V ± 1.0%	S-1324B33-M5T1U	S-1324B33-N4T1U	S-1324B33-A4T2U

Remark Please contact our sales office for products with specifications other than the above output voltage.

4.3 S-1324 Series C type

ON / OFF logic: Active "H"
 Discharge shunt function: Unavailable Constant current source pull-down: Available

Table 5

Output Voltage	SOT-23-5	SC-82AB	HSNT-4(1010)
1.0 V ± 15 mV	S-1324C10-M5T1U	S-1324C10-N4T1U	S-1324C10-A4T2U
1.1 V ± 15 mV	S-1324C11-M5T1U	S-1324C11-N4T1U	S-1324C11-A4T2U
1.2 V ± 15 mV	S-1324C12-M5T1U	S-1324C12-N4T1U	S-1324C12-A4T2U
1.3 V ± 15 mV	S-1324C13-M5T1U	S-1324C13-N4T1U	S-1324C13-A4T2U
1.4 V ± 15 mV	S-1324C14-M5T1U	S-1324C14-N4T1U	S-1324C14-A4T2U
1.5 V ± 1.0%	S-1324C15-M5T1U	S-1324C15-N4T1U	S-1324C15-A4T2U
1.8 V ± 1.0%	S-1324C18-M5T1U	S-1324C18-N4T1U	S-1324C18-A4T2U
2.25 V ± 1.0%	S-1324C2C-M5T1U	S-1324C2C-N4T1U	S-1324C2C-A4T2U
2.3 V ± 1.0%	S-1324C23-M5T1U	S-1324C23-N4T1U	S-1324C23-A4T2U
2.5 V ± 1.0%	S-1324C25-M5T1U	S-1324C25-N4T1U	S-1324C25-A4T2U
2.7 V ± 1.0%	S-1324C27-M5T1U	S-1324C27-N4T1U	S-1324C27-A4T2U
2.75 V ± 1.0%	S-1324C2H-M5T1U	S-1324C2H-N4T1U	S-1324C2H-A4T2U
2.8 V ± 1.0%	S-1324C28-M5T1U	S-1324C28-N4T1U	S-1324C28-A4T2U
2.85 V ± 1.0%	S-1324C2J-M5T1U	S-1324C2J-N4T1U	S-1324C2J-A4T2U
3.0 V ± 1.0%	S-1324C30-M5T1U	S-1324C30-N4T1U	S-1324C30-A4T2U
3.3 V ± 1.0%	S-1324C33-M5T1U	S-1324C33-N4T1U	S-1324C33-A4T2U

Remark Please contact our sales office for products with specifications other than the above output voltage.

4.4 S-1324 Series D type

ON / OFF logic: Active "H"
 Discharge shunt function: Unavailable Constant current source pull-down: Unavailable

Table 6

Output Voltage	SOT-23-5	SC-82AB	HSNT-4(1010)
1.0 V ± 15 mV	S-1324D10-M5T1U	S-1324D10-N4T1U	S-1324D10-A4T2U
1.1 V ± 15 mV	S-1324D11-M5T1U	S-1324D11-N4T1U	S-1324D11-A4T2U
1.2 V ± 15 mV	S-1324D12-M5T1U	S-1324D12-N4T1U	S-1324D12-A4T2U
1.3 V ± 15 mV	S-1324D13-M5T1U	S-1324D13-N4T1U	S-1324D13-A4T2U
1.4 V ± 15 mV	S-1324D14-M5T1U	S-1324D14-N4T1U	S-1324D14-A4T2U
1.5 V ± 1.0%	S-1324D15-M5T1U	S-1324D15-N4T1U	S-1324D15-A4T2U
1.8 V ± 1.0%	S-1324D18-M5T1U	S-1324D18-N4T1U	S-1324D18-A4T2U
2.25 V ± 1.0%	S-1324D2C-M5T1U	S-1324D2C-N4T1U	S-1324D2C-A4T2U
2.3 V ± 1.0%	S-1324D23-M5T1U	S-1324D23-N4T1U	S-1324D23-A4T2U
2.5 V ± 1.0%	S-1324D25-M5T1U	S-1324D25-N4T1U	S-1324D25-A4T2U
2.7 V ± 1.0%	S-1324D27-M5T1U	S-1324D27-N4T1U	S-1324D27-A4T2U
2.75 V ± 1.0%	S-1324D2H-M5T1U	S-1324D2H-N4T1U	S-1324D2H-A4T2U
2.8 V ± 1.0%	S-1324D28-M5T1U	S-1324D28-N4T1U	S-1324D28-A4T2U
2.85 V ± 1.0%	S-1324D2J-M5T1U	S-1324D2J-N4T1U	S-1324D2J-A4T2U
3.0 V ± 1.0%	S-1324D30-M5T1U	S-1324D30-N4T1U	S-1324D30-A4T2U
3.3 V ± 1.0%	S-1324D33-M5T1U	S-1324D33-N4T1U	S-1324D33-A4T2U

Remark Please contact our sales office for products with specifications other than the above output voltage.

■ Pin Configurations

1. SOT-23-5

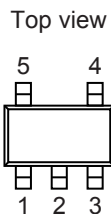


Figure 5

Table 7

Pin No.	Symbol	Description
1	VIN	Input voltage pin
2	VSS	GND pin
3	ON / OFF	ON / OFF pin
4	NC ^{*1}	No connection
5	VOUT	Output voltage pin

*1. The NC pin is electrically open.
The NC pin can be connected to the VIN pin or the VSS pin.

2. SC-82AB

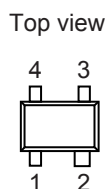


Figure 6

Table 8

Pin No.	Symbol	Description
1	ON / OFF	ON / OFF pin
2	VSS	GND pin
3	VOUT	Output voltage pin
4	VIN	Input voltage pin

3. HSNT-4(1010)

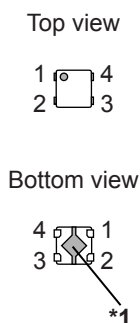


Figure 7

Table 9

Pin No.	Symbol	Description
1	VOUT	Output voltage pin
2	VSS	GND pin
3	ON / OFF	ON / OFF pin
4	VIN	Input voltage pin

*1. Connect the heatsink of backside at shadowed area to the board, and set electric potential GND.
However, do not use it as the function of electrode.

■ Absolute Maximum Ratings

Table 10

(Ta = +25°C unless otherwise specified)

Item	Symbol	Absolute Maximum Rating	Unit
Input voltage	V_{IN}	$V_{SS} - 0.3$ to $V_{SS} + 6.0$	V
	$V_{ON/OFF}$	$V_{SS} - 0.3$ to $V_{SS} + 6.0$	V
Output voltage	V_{OUT}	$V_{SS} - 0.3$ to $V_{IN} + 0.3$	V
Output current	I_{OUT}	240	mA
Operation ambient temperature	T_{OPR}	-40 to +85	°C
Storage temperature	T_{STG}	-40 to +125	°C

Caution The absolute maximum ratings are rated values exceeding which the product could suffer physical damage. These values must therefore not be exceeded under any conditions.

■ Thermal Resistance Value

Table 11

Item	Symbol	Condition	Min.	Typ.	Max.	Unit	
Junction-to-ambient thermal resistance ^{*1}	θ_{JA}	SOT-23-5	Board A	-	192	-	°C/W
			Board B	-	160	-	°C/W
			Board C	-	-	-	°C/W
			Board D	-	-	-	°C/W
			Board E	-	-	-	°C/W
		SC-82AB	Board A	-	236	-	°C/W
			Board B	-	204	-	°C/W
			Board C	-	-	-	°C/W
			Board D	-	-	-	°C/W
			Board E	-	-	-	°C/W
		HSNT-4(1010)	Board A	-	378	-	°C/W
			Board B	-	317	-	°C/W
			Board C	-	-	-	°C/W
			Board D	-	-	-	°C/W
			Board E	-	-	-	°C/W

*1. Test environment: compliance with JEDEC STANDARD JESD51-2A

Remark Refer to "■ Power Dissipation" and "Test Board" for details.

5.5 V INPUT, 200 mA, LOW NOISE VOLTAGE REGULATOR S-1324 Series

Rev.1.0_01

■ Electrical Characteristics

Table 12

(Ta = +25°C unless otherwise specified)

Item	Symbol	Condition	Min.	Typ.	Max.	Unit	Test Circuit	
Output voltage ^{*1}	$V_{OUT(E)}$	$V_{IN} = V_{OUT(S)} + 1.0 \text{ V}$, $I_{OUT} = 30 \text{ mA}$	$1.0 \text{ V} \leq V_{OUT(S)} < 1.5 \text{ V}$	$V_{OUT(S)} - 0.015$	$V_{OUT(S)}$	$V_{OUT(S)} + 0.015$	V	1
			$1.5 \text{ V} \leq V_{OUT(S)} \leq 3.5 \text{ V}$	$V_{OUT(S)} \times 0.99$	$V_{OUT(S)}$	$V_{OUT(S)} \times 1.01$	V	1
Output current ^{*2}	I_{OUT}	$V_{IN} \geq V_{OUT(S)} + 1.0 \text{ V}$	$1.0 \text{ V} \leq V_{OUT(S)} < 1.2 \text{ V}$	100 ^{*5}	–	–	mA	3
			$1.2 \text{ V} \leq V_{OUT(S)} \leq 3.5 \text{ V}$	200 ^{*5}	–	–	mA	3
Dropout voltage ^{*3}	V_{drop}	$I_{OUT} = 100 \text{ mA}$	$1.0 \text{ V} \leq V_{OUT(S)} < 1.1 \text{ V}$	1.00	–	–	V	1
			$1.1 \text{ V} \leq V_{OUT(S)} < 1.2 \text{ V}$	0.90	–	–	V	1
			$1.2 \text{ V} \leq V_{OUT(S)} < 1.3 \text{ V}$	0.80	–	–	V	1
			$1.3 \text{ V} \leq V_{OUT(S)} < 1.4 \text{ V}$	0.70	–	–	V	1
			$1.4 \text{ V} \leq V_{OUT(S)} < 1.5 \text{ V}$	0.60	–	–	V	1
			$1.5 \text{ V} \leq V_{OUT(S)} < 1.7 \text{ V}$	0.50	–	–	V	1
			$1.7 \text{ V} \leq V_{OUT(S)} < 1.8 \text{ V}$	0.30	0.31	0.68	V	1
			$1.8 \text{ V} \leq V_{OUT(S)} < 2.0 \text{ V}$	0.20	0.27	0.58	V	1
			$2.0 \text{ V} \leq V_{OUT(S)} < 2.5 \text{ V}$	–	0.23	0.49	V	1
			$2.5 \text{ V} \leq V_{OUT(S)} < 2.8 \text{ V}$	–	0.18	0.38	V	1
$2.8 \text{ V} \leq V_{OUT(S)} < 3.0 \text{ V}$	–	0.17	0.33	V	1			
$3.0 \text{ V} \leq V_{OUT(S)} \leq 3.5 \text{ V}$	–	0.16	0.32	V	1			
Line regulation	$\frac{\Delta V_{OUT1}}{\Delta V_{IN} \cdot V_{OUT}}$	$V_{OUT(S)} + 0.5 \text{ V} \leq V_{IN} \leq 5.5 \text{ V}$, $I_{OUT} = 1 \mu\text{A}$	$1.0 \text{ V} \leq V_{OUT(S)} \leq 3.5 \text{ V}$	–	0.05	0.2	%/V	1
	$\frac{\Delta V_{OUT2}}{\Delta V_{IN} \cdot V_{OUT}}$	$V_{OUT(S)} + 0.5 \text{ V} \leq V_{IN} \leq 5.5 \text{ V}$, $I_{OUT} = 30 \text{ mA}$	$1.0 \text{ V} \leq V_{OUT(S)} \leq 3.5 \text{ V}$	–	0.05	0.2	%/V	1
Load regulation	ΔV_{OUT2}	$V_{IN} = V_{OUT(S)} + 1.0 \text{ V}$, $1 \mu\text{A} \leq I_{OUT} \leq 100 \text{ mA}$	$1.0 \text{ V} \leq V_{OUT(S)} \leq 3.5 \text{ V}$	–	20	40	mV	1
		$V_{IN} = V_{OUT(S)} + 1.0 \text{ V}$, $100 \mu\text{A} \leq I_{OUT} \leq 200 \text{ mA}$	$1.0 \text{ V} \leq V_{OUT(S)} \leq 3.5 \text{ V}$	–	40	80	mV	1
Output voltage temperature coefficient ^{*4}	$\frac{\Delta V_{OUT}}{\Delta T_a \cdot V_{OUT}}$	$V_{IN} = V_{OUT(S)} + 1.0 \text{ V}$, $I_{OUT} = 30 \text{ mA}$, $-40^\circ\text{C} \leq T_a \leq +85^\circ\text{C}$	–	±130	–	ppm/°C	1	
Current consumption during operation	I_{SS1}	$V_{IN} = V_{OUT(S)} + 1.0 \text{ V}$, ON / OFF pin = ON, no load	–	7	12	μA	2	
Current consumption during power-off	I_{SS2}	$V_{IN} = V_{OUT(S)} + 1.0 \text{ V}$, ON / OFF pin = OFF, no load	–	0.01	0.1	μA	2	
Input voltage	V_{IN}	–	1.5	–	5.5	V	–	
ON / OFF pin input voltage "H"	V_{SH}	$V_{IN} = V_{OUT(S)} + 1.0 \text{ V}$, $R_L = 1.0 \text{ k}\Omega$, determined by V_{OUT} output level	1.0	–	–	V	4	
ON / OFF pin input voltage "L"	V_{SL}	$V_{IN} = V_{OUT(S)} + 1.0 \text{ V}$, $R_L = 1.0 \text{ k}\Omega$, determined by V_{OUT} output level	–	–	0.25	V	4	
ON / OFF pin input current "H"	I_{SH}	$V_{IN} = 5.5 \text{ V}$, $V_{ON/OFF} = 5.5 \text{ V}$	B / D type (without constant current source pull-down)	–0.1	–	0.1	μA	4
			A / C type (with constant current source pull-down)	0.05	0.1	0.2	μA	4
ON / OFF pin input current "L"	I_{SL}	$V_{IN} = 5.5 \text{ V}$, $V_{ON/OFF} = 0 \text{ V}$	–0.1	–	0.1	μA	4	
Ripple rejection	RR	$V_{IN} = V_{OUT(S)} + 1.0 \text{ V}$, $f = 1.0 \text{ kHz}$, $\Delta V_{rip} = 0.5 \text{ Vrms}$	$I_{OUT} = 1 \text{ mA}$	–	65	–	dB	5
			$I_{OUT} = 30 \text{ mA}$	–	65	–	dB	5
Output noise	e_N	$V_{IN} = V_{OUT(S)} + 1.0 \text{ V}$, $C_L = 1 \mu\text{F}$, $BW = 10 \text{ Hz to } 100 \text{ kHz}$	$I_{OUT} = 1 \text{ mA}$	–	17	–	μVrms	6
			$I_{OUT} = 30 \text{ mA}$	–	19	–	μVrms	6
Short-circuit current	I_{short}	$V_{IN} = V_{OUT(S)} + 1.0 \text{ V}$, ON / OFF pin = ON, $V_{OUT} = 0 \text{ V}$	–	50	–	mA	3	
Thermal shutdown detection temperature	T_{SD}	Junction temperature	–	150	–	°C	–	
Thermal shutdown release temperature	T_{SR}	Junction temperature	–	120	–	°C	–	
Discharge shunt resistance during power-off	R_{LOW}	$V_{OUT} = 0.1 \text{ V}$, $V_{IN} = 5.5 \text{ V}$	A / B type (with discharge shunt function)	–	35	–	Ω	3

- *1. $V_{OUT(S)}$: Set output voltage
 $V_{OUT(E)}$: Actual output voltage
The output voltage when $V_{IN} = V_{OUT(S)} + 1.0 \text{ V}$, $I_{OUT} = 30 \text{ mA}$
- *2. The output current at which the output voltage becomes 95% of $V_{OUT(E)}$ after gradually increasing the output current.
- *3. $V_{drop} = V_{IN1} - (V_{OUT3} \times 0.98)$
 V_{IN1} is the input voltage at which the output voltage becomes 98% of V_{OUT3} after gradually decreasing the input voltage.
 V_{OUT3} is the output voltage when $V_{IN} = V_{OUT(S)} + 1.0 \text{ V}$, and $I_{OUT} = 100 \text{ mA}$.
- *4. A change in the temperature of the output voltage [mV/°C] is calculated using the following equation.
$$\frac{\Delta V_{OUT}}{\Delta T_a} [\text{mV}/^\circ\text{C}]^{*1} = V_{OUT(S)} [\text{V}]^{*2} \times \frac{\Delta V_{OUT}}{\Delta T_a \bullet V_{OUT}} [\text{ppm}/^\circ\text{C}]^{*3} \div 1000$$
 - *1. Change in temperature of output voltage
 - *2. Set output voltage
 - *3. Output voltage temperature coefficient
- *5. Due to limitation of the power dissipation, this value may not be satisfied. Attention should be paid to the power dissipation when the output current is large.
This specification is guaranteed by design.

■ Test Circuits

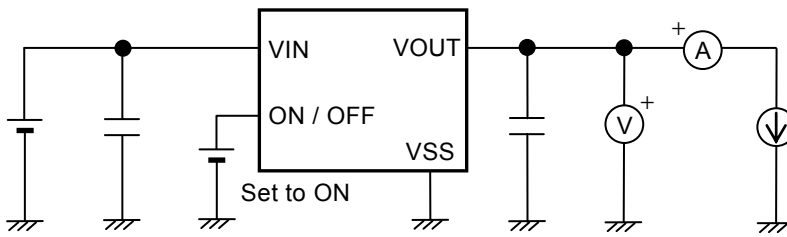


Figure 8 Test Circuit 1

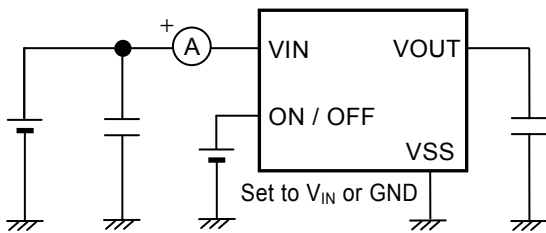


Figure 9 Test Circuit 2

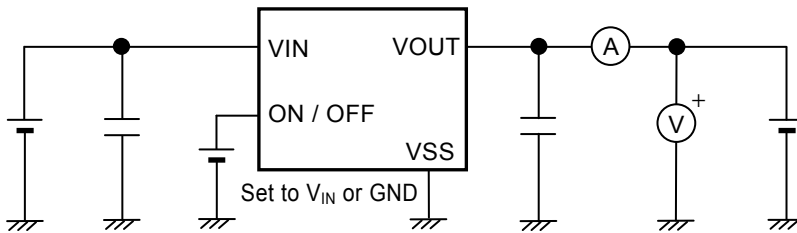


Figure 10 Test Circuit 3

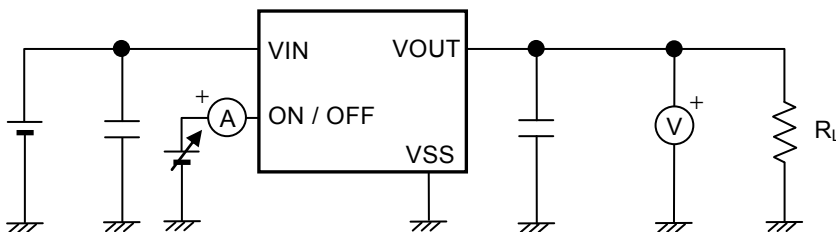


Figure 11 Test Circuit 4

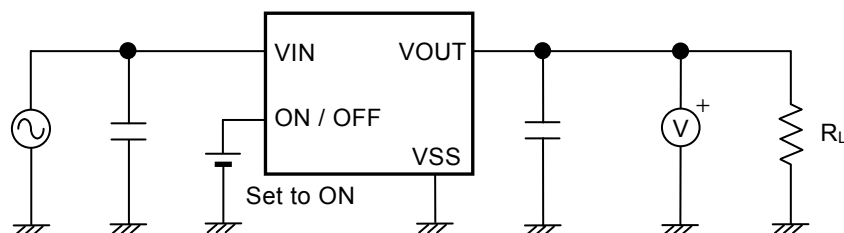


Figure 12 Test Circuit 5

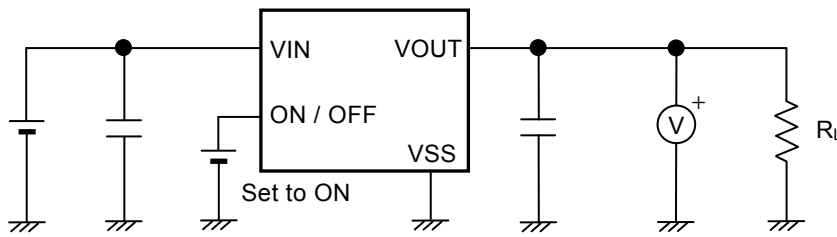
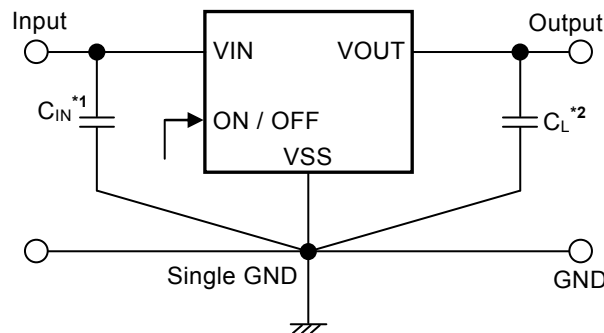


Figure 13 Test Circuit 6

■ Standard Circuit



- *1. C_{IN} is a capacitor for stabilizing the input.
- *2. C_L is a capacitor for stabilizing the output.

Figure 14

Caution The above connection diagram and constant will not guarantee successful operation. Perform thorough evaluation including the temperature characteristics with an actual application to set the constant.

■ Condition of Application

Input capacitor (C_{IN}): A ceramic capacitor with capacitance of 1.0 μF or more is recommended.
Output capacitor (C_L): A ceramic capacitor with capacitance of 1.0 μF or more is recommended.

Caution Generally, in a voltage regulator, an oscillation may occur depending on the selection of the external parts. Perform thorough evaluation including the temperature characteristics with an actual application using the above capacitors to confirm no oscillation occurs.

■ Selection of Input Capacitor (C_{IN}) and Output Capacitor (C_L)

The S-1324 Series requires C_L between the VOUT pin and the VSS pin for phase compensation. The operation is stabilized by a ceramic capacitor with capacitance of 1.0 μF or more. When using an OS capacitor, a tantalum capacitor or an aluminum electrolytic capacitor, the capacitance also must be 1.0 μF or more. However, an oscillation may occur depending on the equivalent series resistance (ESR).

Moreover, the S-1324 Series requires C_{IN} between the VIN pin and the VSS pin for a stable operation.

Generally, an oscillation may occur when a voltage regulator is used under the condition that the impedance of the power supply is high.

Note that the output voltage transient characteristics vary depending on the capacitance of C_{IN} and C_L and the value of ESR.

Caution Perform thorough evaluation including the temperature characteristics with an actual application to select C_{IN} and C_L .

■ Explanation of Terms

1. Low dropout voltage regulator

This is a voltage regulator which made dropout voltage small by its built-in low on-resistance output transistor.

2. Output voltage (V_{OUT})

This voltage is output at an accuracy of $\pm 1.0\%$ or $\pm 15 \text{ mV}^{*2}$ when the input voltage, the output current and the temperature are in a certain condition^{*1}.

*1. Differs depending on the product.

*2. When $V_{OUT} < 1.5 \text{ V}$: $\pm 15 \text{ mV}$, when $V_{OUT} \geq 1.5 \text{ V}$: $\pm 1.0\%$

Caution If the certain condition is not satisfied, the output voltage may exceed the accuracy range of $\pm 1.0\%$ or $\pm 15 \text{ mV}$. Refer to Table 12 in "■ Electrical Characteristics" for details.

3. Line regulation $\left(\frac{\Delta V_{OUT1}}{\Delta V_{IN} \cdot V_{OUT}} \right)$

Indicates the dependency of the output voltage on the input voltage. That is, the values show how much the output voltage changes due to a change after fixing output current constant.

4. Load regulation (ΔV_{OUT2})

Indicates the dependency of the output voltage against the output current. That is, the value shows how much the output voltage changes due to a change in the output current after fixing input voltage constant.

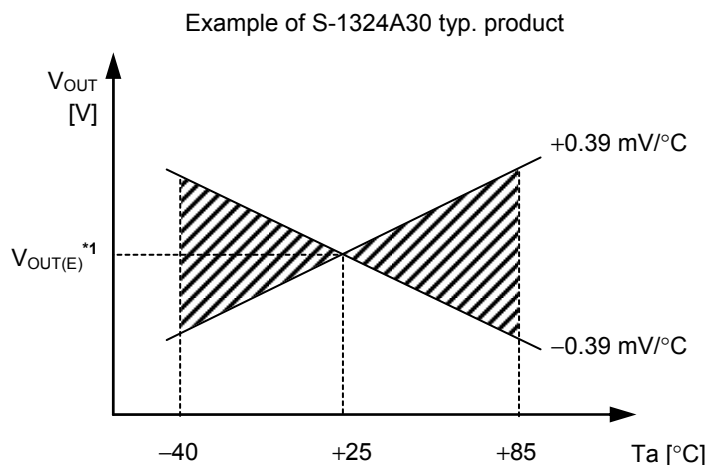
5. Dropout voltage (V_{drop})

Indicates the difference between input voltage (V_{IN1}) and the output voltage when the output voltage becomes 98% of the output voltage value (V_{OUT3}) at $V_{IN} = V_{OUT(S)} + 1.0 \text{ V}$ after the input voltage (V_{IN}) is decreased gradually.

$$V_{drop} = V_{IN1} - (V_{OUT3} \times 0.98)$$

6. Output voltage temperature coefficient $\left(\frac{\Delta V_{OUT}}{\Delta T_a \bullet V_{OUT}}\right)$

The shaded area in **Figure 15** is the range where V_{OUT} varies in the operation temperature range when the output voltage temperature coefficient is ± 130 ppm/ $^{\circ}\text{C}$.



*1. $V_{OUT(E)}$ is the value of the output voltage measured at $T_a = +25^{\circ}\text{C}$.

Figure 15

A change in the temperature of the output voltage [mV/ $^{\circ}\text{C}$] is calculated using the following equation.

$$\frac{\Delta V_{OUT}}{\Delta T_a} [\text{mV}/^{\circ}\text{C}]^{*1} = V_{OUT(S)} [\text{V}]^{*2} \times \frac{\Delta V_{OUT}}{\Delta T_a \bullet V_{OUT}} [\text{ppm}/^{\circ}\text{C}]^{*3} \div 1000$$

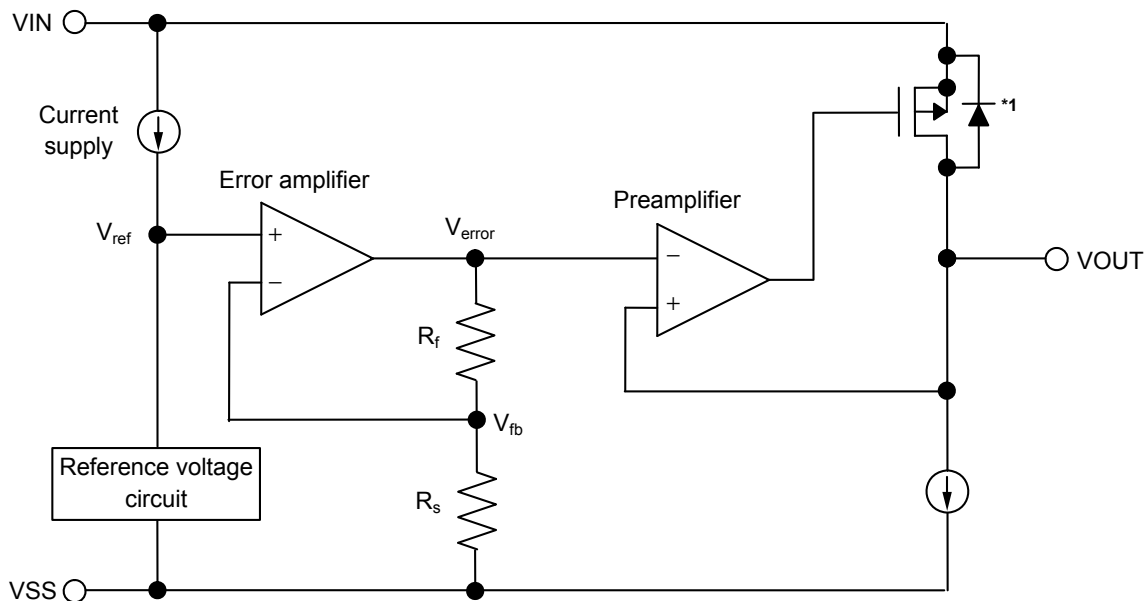
- *1. Change in temperature of output voltage
- *2. Set output voltage
- *3. Output voltage temperature coefficient

■ **Operation**

1. Basic operation

Figure 16 shows the block diagram of the S-1324 Series to describe the basic operation.

The error amplifier output voltage (V_{error}) is divided by the feedback resistors (R_s and R_f). In order to keep the feedback voltage (V_{fb}) equal to the reference voltage (V_{ref}), the error amplifier outputs V_{error} . The preamplifier controls the output transistor to keep V_{error} equal to the output voltage (V_{OUT}), and consequently, the regulator starts the operation that holds V_{OUT} constant without the influence of the input voltage (V_{IN}).



*1. Parasitic diode

Figure 16

2. Output transistor

In the S-1324 Series, a low on-resistance P-channel MOS FET is used between the VIN pin and the VOUT pin as the output transistor. In order to hold V_{OUT} constant, the on-resistance of the output transistor varies appropriately according to the output current (I_{OUT}).

Caution Since a parasitic diode exists between the VIN pin and the VOUT pin due to the structure of the transistor, the IC may be damaged by a reverse current if V_{OUT} becomes higher than V_{IN} . Therefore, be sure that V_{OUT} does not exceed $V_{IN} + 0.3$ V.

3. ON / OFF pin

The ON / OFF pin controls the internal circuit and the output transistor in order to start and stop the regulator. When the ON / OFF pin is set to OFF, the internal circuit stops operating and the output transistor between the VIN pin and the VOUT pin is turned off, reducing current consumption significantly.

The internal equivalent circuit related to the ON / OFF pin is configured as shown in **Figure 17** and **Figure 18**. Note that the current consumption increases when a voltage of $V_{SL} \text{ max.}^{*1}$ to $V_{IN} - 0.3 \text{ V}$ is applied to the ON / OFF pin.

3.1 S-1324 Series A / C type

The ON / OFF pin is internally pulled down to the VSS pin in the floating status, so the VOUT pin is pulled down to V_{SS} .

3.2 S-1324 Series B / D type

The ON / OFF pin is not internally pulled down to the VSS pin, so do not use it in the floating status. When not using the ON / OFF pin, connect it to the VIN pin.

Table 13

Product Type	ON / OFF Pin	Internal Circuit	VOUT Pin Voltage	Current Consumption
A / B / C / D	"H": ON	Operate	Constant value ^{*2}	I_{SS1} ^{*3}
A / B / C / D	"L": OFF	Stop	Pulled down to V_{SS} ^{*4}	I_{SS2}

*1. Refer to **Table 12** in "■ Electrical Characteristics".

*2. The constant value is output due to the regulating based on the set output voltage value.

*3. Note that the IC's current consumption increases as much as current flows into the constant current of $0.1 \mu\text{A}$ typ. when the ON / OFF pin is connected to the VIN pin and the S-1324 Series A / C type is operating (refer to **Figure 17**).

*4. The VOUT pin voltage of S-1324 Series A / B type is pulled down to V_{SS} due to the discharge shunt circuit ($R_{LOW} = 35 \Omega$ typ.) and a load.

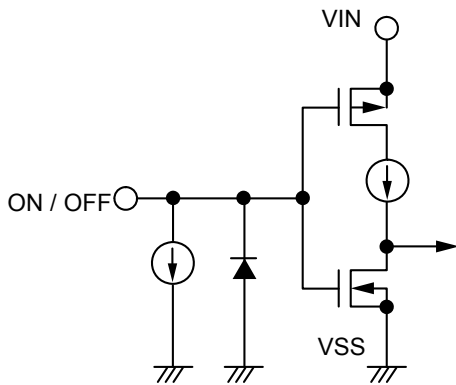


Figure 17 S-1324 Series A / C type

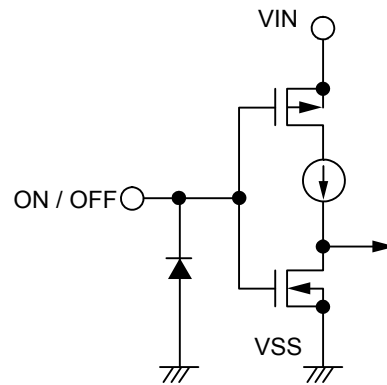


Figure 18 S-1324 Series B / D type

4. Discharge shunt function (S-1324 Series A / B type)

The S-1324 Series A / B type has a built-in discharge shunt circuit to discharge the output capacitance. The output capacitance is discharged as follows so that the VOUT pin reaches the V_{SS} level.

- (1) The ON / OFF pin is set to OFF level.
- (2) The output transistor is turned off.
- (3) The discharge shunt circuit is turned on.
- (4) The output capacitor discharges.

Since the S-1324 Series C / D type does not have a discharge shunt circuit, the VOUT pin is set to V_{SS} level through constant current load between the VOUT pin and the VSS pin. The S-1324 Series A / B type allows the VOUT pin to reach the V_{SS} level rapidly due to the discharge shunt circuit.

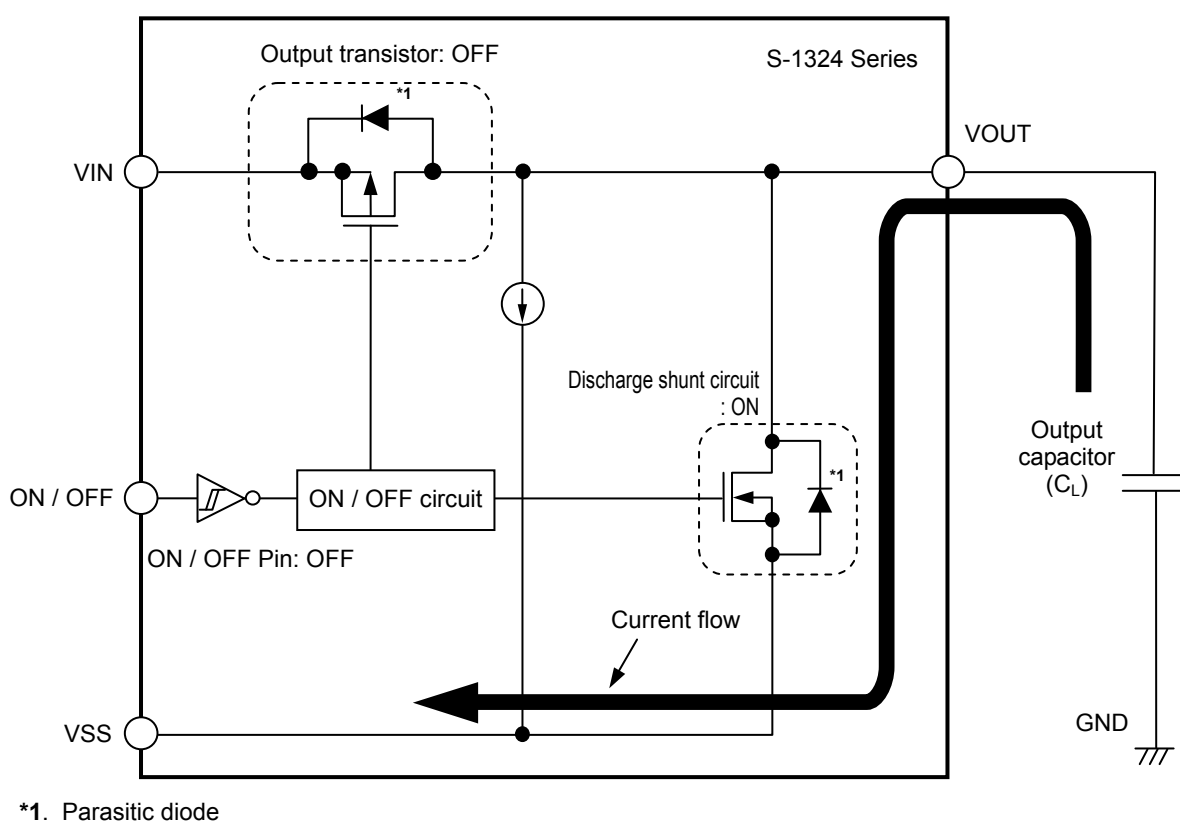


Figure 19

5. Constant current source pull-down (S-1324 Series A / C type)

The ON / OFF pin is internally pulled down to the VSS pin in the floating status, so the VOUT pin is set to the V_{SS} level.

Note that the IC's current consumption increases as much as current flows into the constant current of 0.1 μA typ. when the ON / OFF pin is connected to the VIN pin and the S-1324 Series A / C type is operating.

6. Overcurrent protection circuit

The S-1324 Series has a built-in overcurrent protection circuit to limit the overcurrent of the output transistor. When the VOUT pin is shorted with the VSS pin, that is, at the time of the output short-circuit, the output current is limited to 50 mA typ. due to the overcurrent protection circuit operation. The S-1324 Series restarts regulating when the output transistor is released from the overcurrent status.

Caution This overcurrent protection circuit does not work as for thermal protection. For example, when the output transistor keeps the overcurrent status long at the time of output short-circuit or due to other reasons, pay attention to the conditions of the input voltage and the load current so as not to exceed the power dissipation.

7. Thermal shutdown circuit

The S-1324 Series has a built-in thermal shutdown circuit to limit overheating. When the junction temperature increases to 150°C typ., the thermal shutdown circuit becomes the detection status, and the regulating is stopped. When the junction temperature decreases to 120°C typ., the thermal shutdown circuit becomes the release status, and the regulator is restarted.

If the thermal shutdown circuit becomes the detection status due to self-heating, the regulating is stopped and V_{OUT} decreases. For this reason, the self-heating is limited and the temperature of the IC decreases. The thermal shutdown circuit becomes release status when the temperature of the IC decreases, and the regulating is restarted, thus the self-heating is generated again. Repeating this procedure makes the waveform of V_{OUT} into a pulse-like form. This phenomenon continues unless decreasing either or both of the input voltage and the output current in order to reduce the internal power consumption, or decreasing the ambient temperature. Note that the product may suffer physical damage such as deterioration if the above phenomenon occurs continuously.

Caution 1. When the heat radiation of the application is not in a good condition, the self-heating cannot be limited immediately, and the IC may suffer physical damage. Perform thorough evaluation including the temperature characteristics with an actual application to confirm no problems happen.

2. If a large load current flows during the restart process of regulating after the thermal shutdown circuit changes to the release status from the detection status, the thermal shutdown circuit becomes the detection status again due to self-heating, and a problem may happen in the restart of regulating. A large load current, for example, occurs when charging to the C_L whose capacitance is large.

Perform thorough evaluation including the temperature characteristics with an actual application to select C_L .

Table 14

Thermal Shutdown Circuit	VOUT Pin Voltage
Release: 120°C typ. ^{*1}	Constant value ^{*2}
Detection: 150°C typ. ^{*1}	Pulled down to V_{SS} ^{*3}

*1. Junction temperature

*2. The constant value is output due to the regulating based on the set output voltage value.

*3. The VOUT pin voltage is pulled down to V_{SS} due to the feedback resistors (R_s and R_f) and a load.

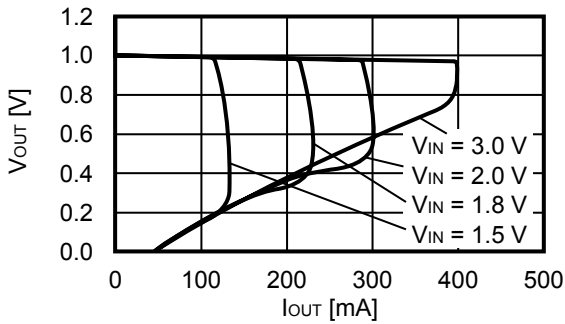
■ Precautions

- Generally, when a voltage regulator is used under the condition that the load current value is small (10 μ A or less), the output voltage may increase due to the leakage current of an output transistor.
- Generally, when a voltage regulator is used under the condition that the temperature is high, the output voltage may increase due to the leakage current of an output transistor.
- Generally, when the ON / OFF pin is used under the condition of OFF, the output voltage may increase due to the leakage current of an output transistor.
- Generally, when a voltage regulator is used under the condition that the impedance of the power supply is high, an oscillation may occur. Perform thorough evaluation including the temperature characteristics with an actual application to select C_{IN} .
- Generally, in a voltage regulator, an oscillation may occur depending on the selection of the external parts. The following use conditions are recommended in the S-1324 Series, however, perform thorough evaluation including the temperature characteristics with an actual application to select C_{IN} and C_L .
 - Input capacitor (C_{IN}): A ceramic capacitor with capacitance of 1.0 μ F or more is recommended.
 - Output capacitor (C_L): A ceramic capacitor with capacitance of 1.0 μ F or more is recommended.
- Generally, in a voltage regulator, the values of an overshoot and an undershoot in the output voltage vary depending on the variation factors of input voltage start-up, input voltage fluctuation and load fluctuation etc., or the capacitance of C_{IN} or C_L and the value of the equivalent series resistance (ESR), which may cause a problem to the stable operation. Perform thorough evaluation including the temperature characteristics with an actual application to select C_{IN} and C_L .
- Generally, in a voltage regulator, an overshoot may occur in the output voltage momentarily if the input voltage steeply changes when the input voltage is started up, the soft-start operation is performed, the input voltage fluctuates etc. Perform thorough evaluation including the temperature characteristics with an actual application to confirm no problems happen.
- Generally, in a voltage regulator, if the VOUT pin is steeply shorted with GND, a negative voltage exceeding the absolute maximum ratings may occur in the VOUT pin due to resonance phenomenon of the inductance and the capacitance including C_L on the application. The resonance phenomenon is expected to be weakened by inserting a series resistor into the resonance path, and the negative voltage is expected to be limited by inserting a protection diode between the VOUT pin and the VSS pin.
- If the input voltage is started up steeply under the condition that the capacitance of C_L is large, the thermal shutdown circuit may be in the detection status by self-heating due to the charge current to C_L .
- Make sure of the conditions for the input voltage, output voltage and the load current so that the internal loss does not exceed the power dissipation.
- Do not apply an electrostatic discharge to this IC that exceeds the performance ratings of the built-in electrostatic protection circuit.
- When considering the output current value that the IC is able to output, make sure of the output current value specified in **Table 12** in "■ Electrical Characteristics" and footnote *5 of the table.
- Wiring patterns on the application related to the VIN pin, the VOUT pin and the VSS pin should be designed so that the impedance is low. When mounting C_{IN} between the VIN pin and the VSS pin and C_L between the VOUT pin and the VSS pin, connect the capacitors as close as possible to the respective destination pins of the IC.
- In the package equipped with heat sink of backside, mount the heat sink firmly. Since the heat radiation differs according to the condition of the application, perform thorough evaluation with an actual application to confirm no problems happen.
- ABLIC Inc. claims no responsibility for any disputes arising out of or in connection with any infringement by products including this IC of patents owned by a third party.

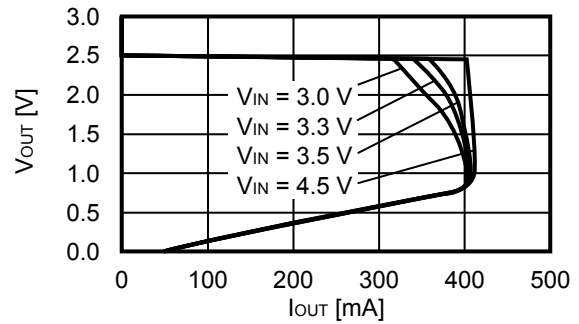
■ Characteristics (Typical Data)

1. Output voltage vs. Output current (When load current increases) ($T_a = +25^\circ\text{C}$)

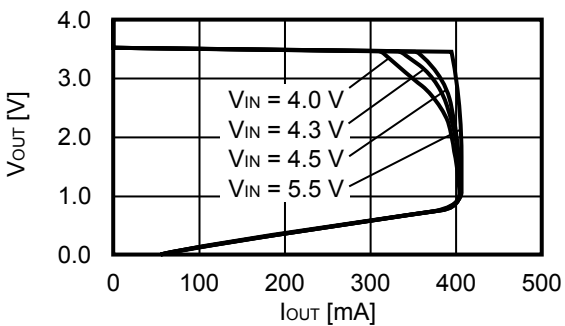
1.1 $V_{\text{OUT}} = 1.0 \text{ V}$



1.2 $V_{\text{OUT}} = 2.5 \text{ V}$



1.3 $V_{\text{OUT}} = 3.5 \text{ V}$

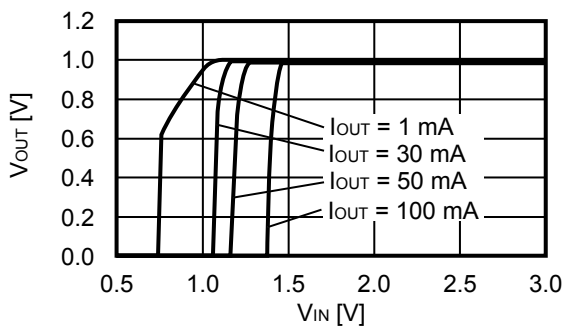


Remark In determining the output current, attention should be paid to the following.

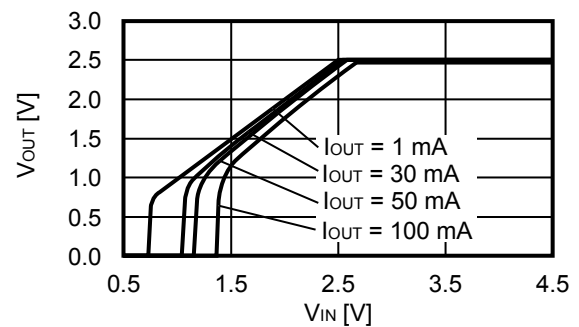
1. The minimum output current value and footnote *5 in Table 12 in "■ Electrical Characteristics"
2. The power dissipation

2. Output voltage vs. Input voltage ($T_a = +25^\circ\text{C}$)

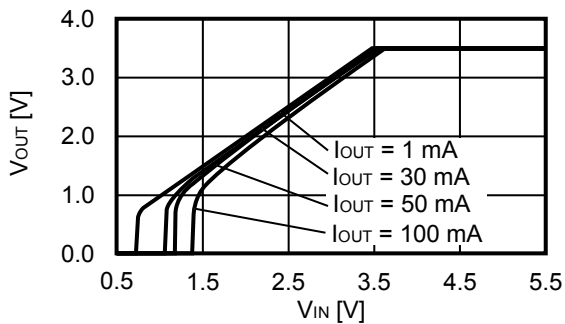
2.1 $V_{\text{OUT}} = 1.0 \text{ V}$



2.2 $V_{\text{OUT}} = 2.5 \text{ V}$

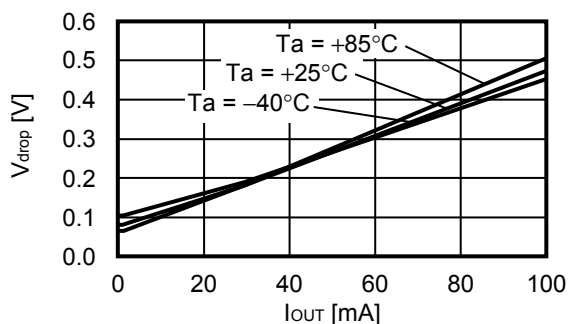


2.3 $V_{\text{OUT}} = 3.5 \text{ V}$

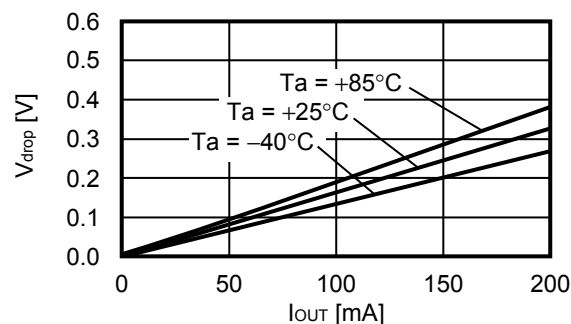


3. Dropout voltage vs. Output current

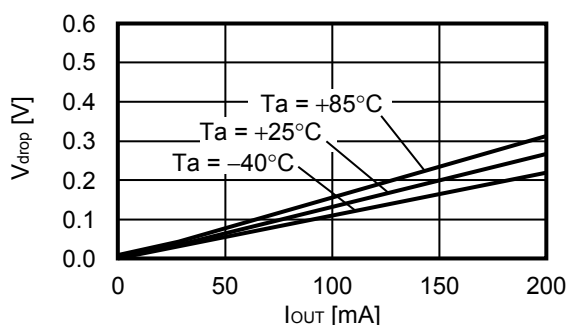
3.1 $V_{OUT} = 1.0\text{ V}$



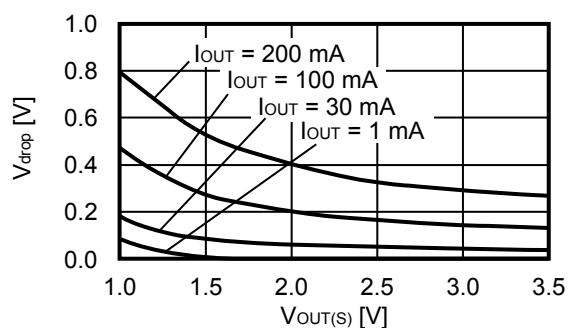
3.2 $V_{OUT} = 2.5\text{ V}$



3.3 $V_{OUT} = 3.5\text{ V}$

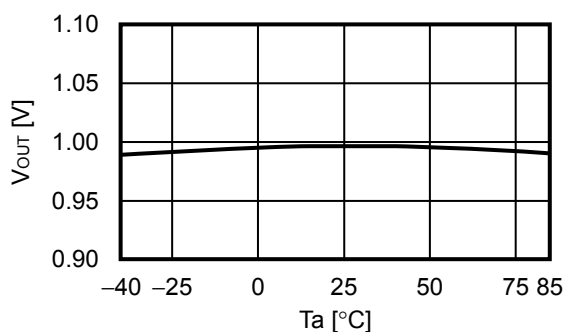


4. Dropout voltage vs. Set output voltage

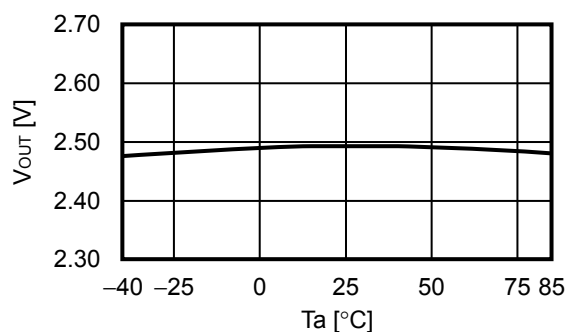


5. Output voltage vs. Ambient temperature

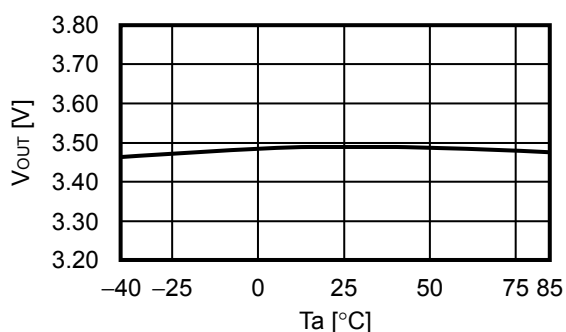
5.1 $V_{OUT} = 1.0\text{ V}$



5.2 $V_{OUT} = 2.5\text{ V}$

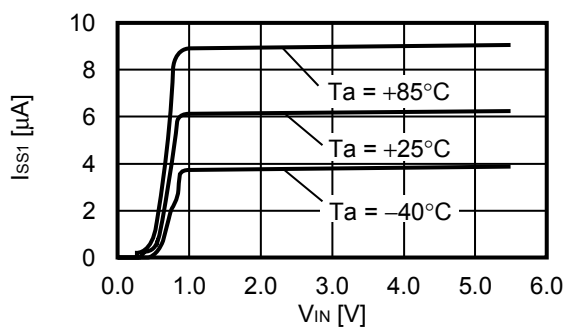


5.3 $V_{OUT} = 3.5\text{ V}$

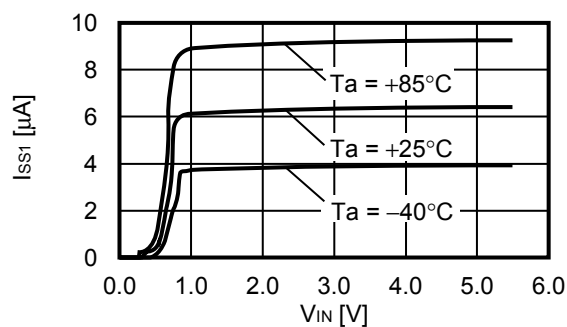


6. Current consumption vs. Input voltage

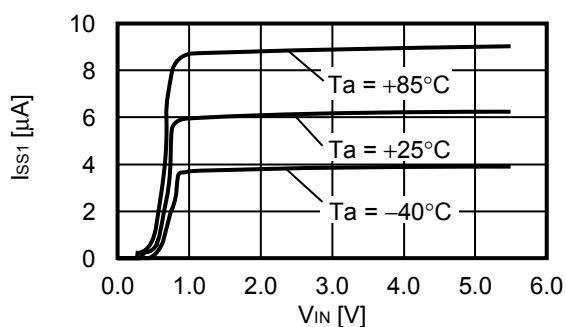
6.1 $V_{OUT} = 1.0\text{ V}$



6.2 $V_{OUT} = 2.5\text{ V}$

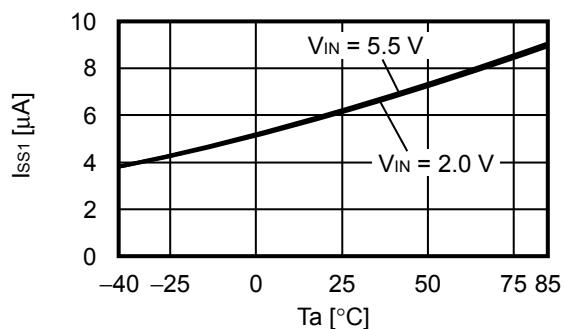


6.3 $V_{OUT} = 3.5\text{ V}$

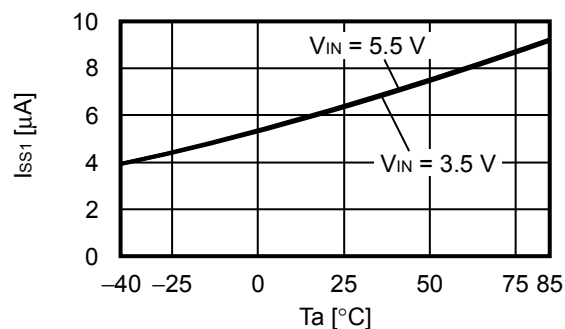


7. Current consumption vs. Ambient temperature

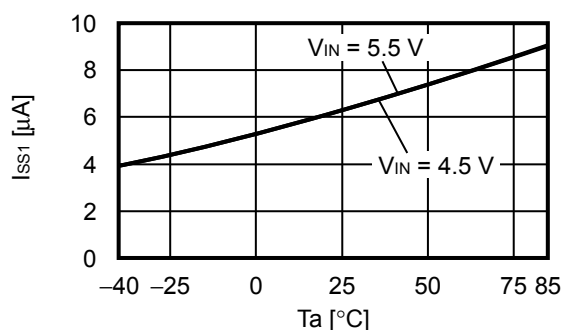
7.1 $V_{OUT} = 1.0\text{ V}$



7.2 $V_{OUT} = 2.5\text{ V}$

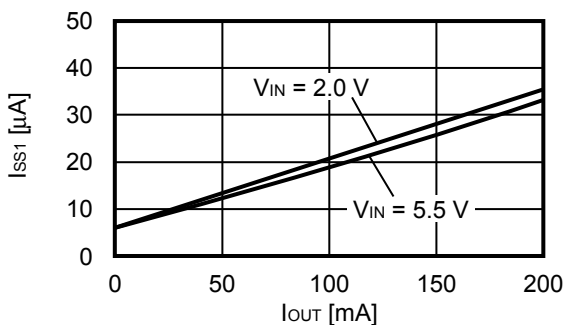


7.3 $V_{OUT} = 3.5\text{ V}$

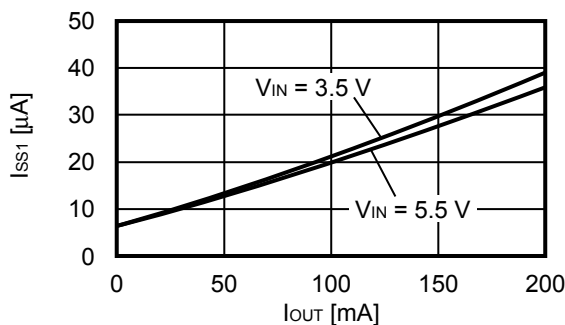


8. Current consumption vs. Output current

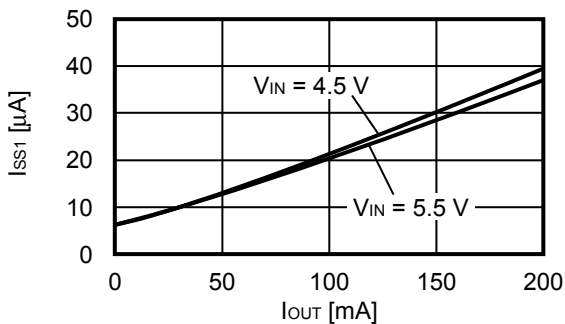
8.1 $V_{OUT} = 1.0\text{ V}$



8.2 $V_{OUT} = 2.5\text{ V}$

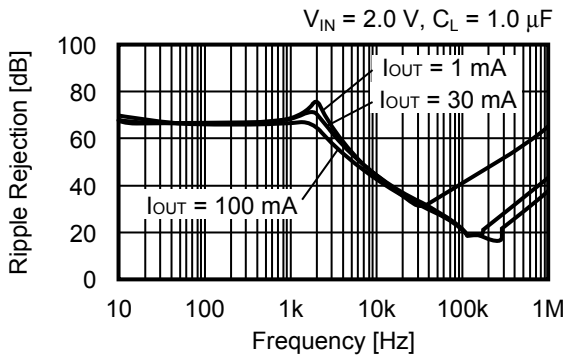


8.3 $V_{OUT} = 3.5\text{ V}$

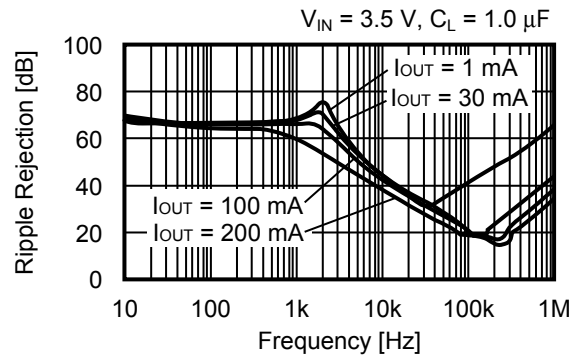


9. Ripple rejection (Ta = +25°C)

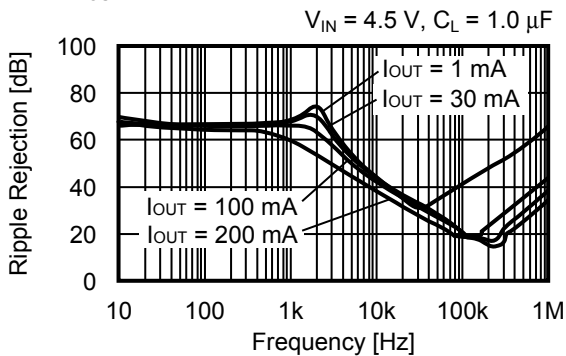
9.1 V_{OUT} = 1.0 V



9.2 V_{OUT} = 2.5 V

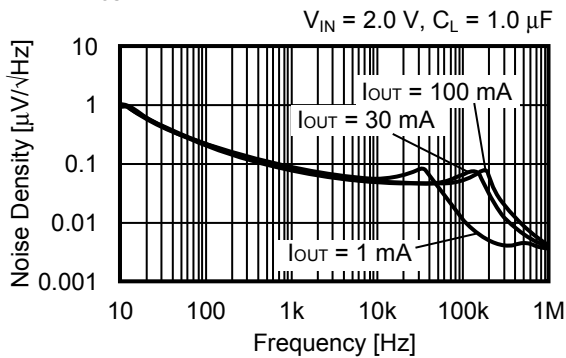


9.3 V_{OUT} = 3.5 V

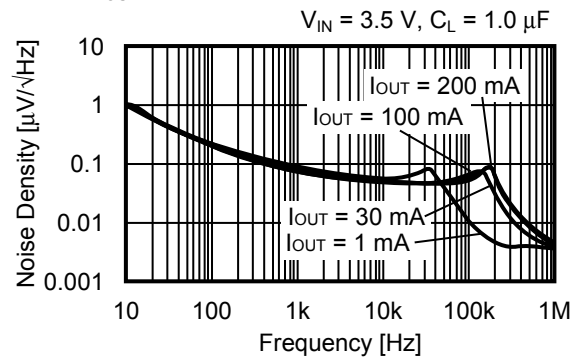


10. Output noise (Ta = +25°C)

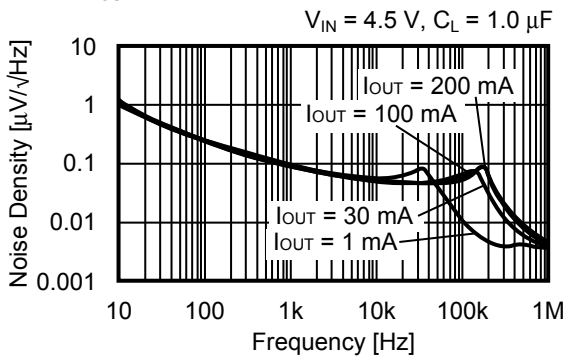
10.1 V_{OUT} = 1.0 V



10.2 V_{OUT} = 2.5 V



10.3 V_{OUT} = 3.5 V

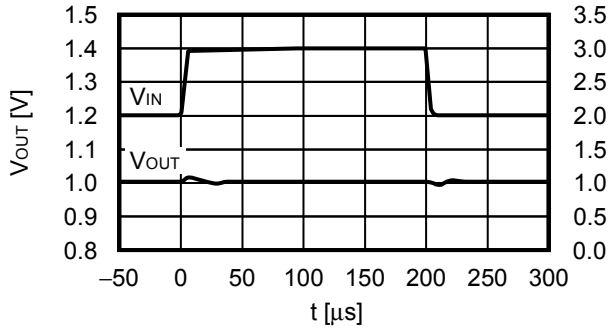


■ Reference Data

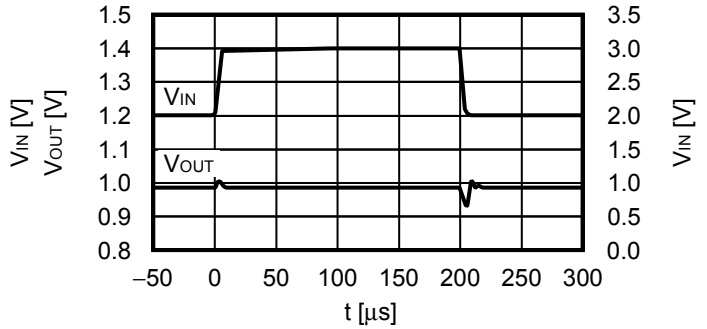
1. Transient response characteristics when input ($T_a = +25^\circ\text{C}$)

1.1 $V_{\text{OUT}} = 1.0 \text{ V}$

$I_{\text{OUT}} = 1 \text{ mA}$, $C_L = 1.0 \mu\text{F}$, $V_{\text{IN}} = 2.0 \text{ V} \leftrightarrow 3.0 \text{ V}$, $t_r = t_f = 5.0 \mu\text{s}$

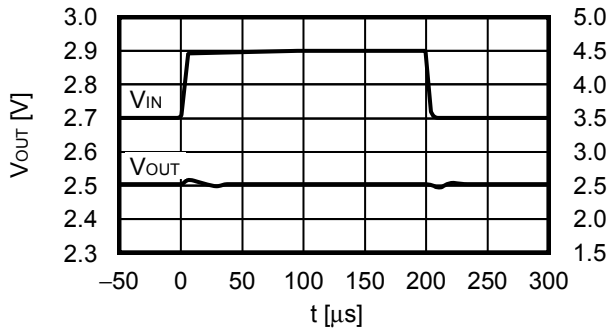


$I_{\text{OUT}} = 100 \text{ mA}$, $C_L = 1.0 \mu\text{F}$, $V_{\text{IN}} = 2.0 \text{ V} \leftrightarrow 3.0 \text{ V}$, $t_r = t_f = 5.0 \mu\text{s}$

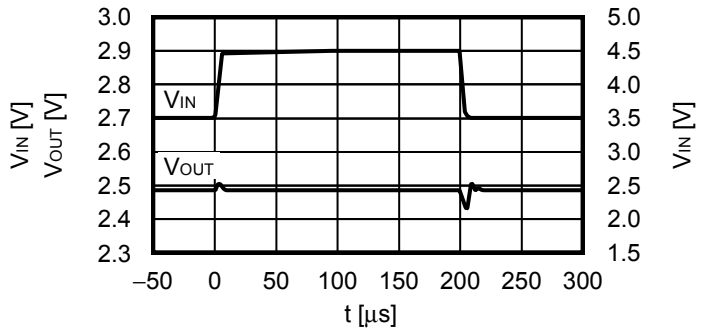


1.2 $V_{\text{OUT}} = 2.5 \text{ V}$

$I_{\text{OUT}} = 1 \text{ mA}$, $C_L = 1.0 \mu\text{F}$, $V_{\text{IN}} = 3.5 \text{ V} \leftrightarrow 4.5 \text{ V}$, $t_r = t_f = 5.0 \mu\text{s}$

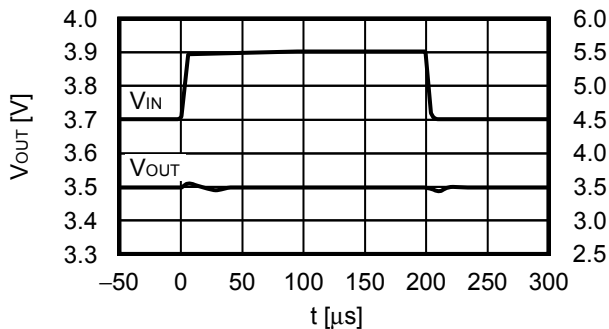


$I_{\text{OUT}} = 100 \text{ mA}$, $C_L = 1.0 \mu\text{F}$, $V_{\text{IN}} = 3.5 \text{ V} \leftrightarrow 4.5 \text{ V}$, $t_r = t_f = 5.0 \mu\text{s}$

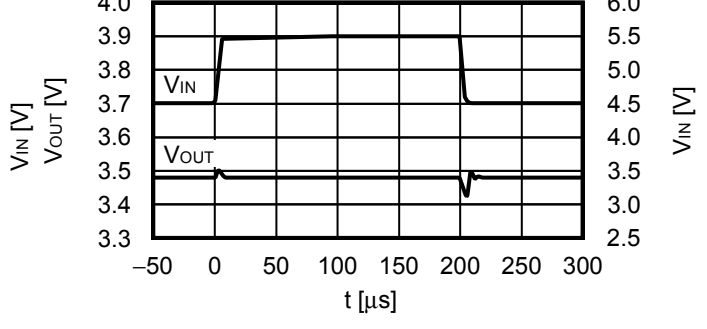


1.3 $V_{\text{OUT}} = 3.5 \text{ V}$

$I_{\text{OUT}} = 1 \text{ mA}$, $C_L = 1.0 \mu\text{F}$, $V_{\text{IN}} = 4.5 \text{ V} \leftrightarrow 5.5 \text{ V}$, $t_r = t_f = 5.0 \mu\text{s}$



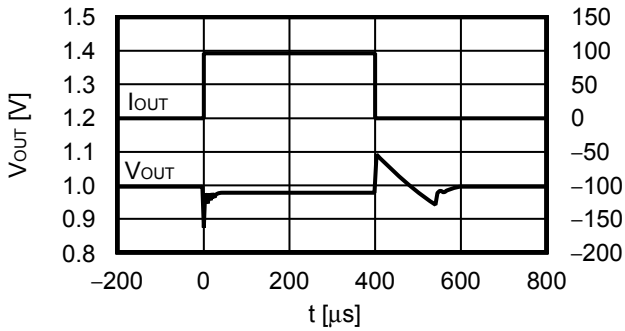
$I_{\text{OUT}} = 100 \text{ mA}$, $C_L = 1.0 \mu\text{F}$, $V_{\text{IN}} = 4.5 \text{ V} \leftrightarrow 5.5 \text{ V}$, $t_r = t_f = 5.0 \mu\text{s}$



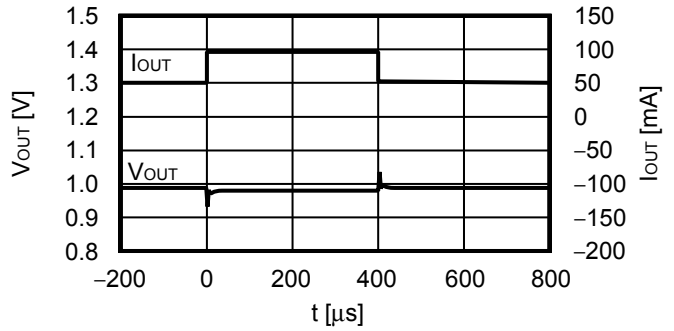
2. Transient response characteristics of load (Ta = +25°C)

2.1 V_{OUT} = 1.0 V

V_{IN} = 2.0 V, C_{IN} = C_L = 1.0 μF, I_{OUT} = 1 mA ↔ 100 mA, t_r = t_f = 1.0 μs

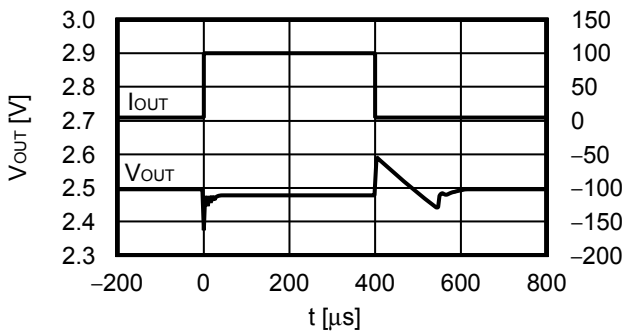


V_{IN} = 2.0 V, C_{IN} = C_L = 1.0 μF, I_{OUT} = 50 mA ↔ 100 mA, t_r = t_f = 1.0 μs

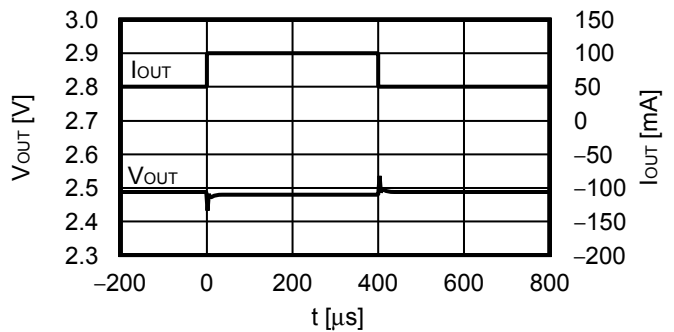


2.2 V_{OUT} = 2.5 V

V_{IN} = 3.5 V, C_{IN} = C_L = 1.0 μF, I_{OUT} = 1 mA ↔ 100 mA, t_r = t_f = 1.0 μs

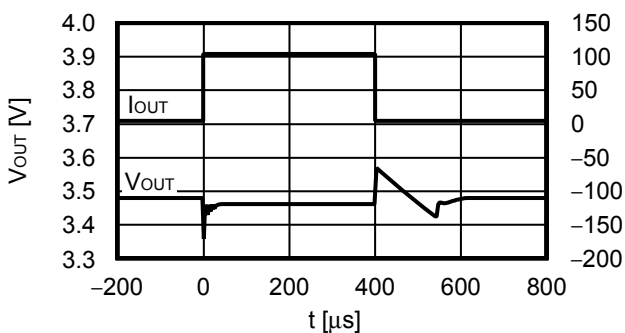


V_{IN} = 3.5 V, C_{IN} = C_L = 1.0 μF, I_{OUT} = 50 mA ↔ 100 mA, t_r = t_f = 1.0 μs

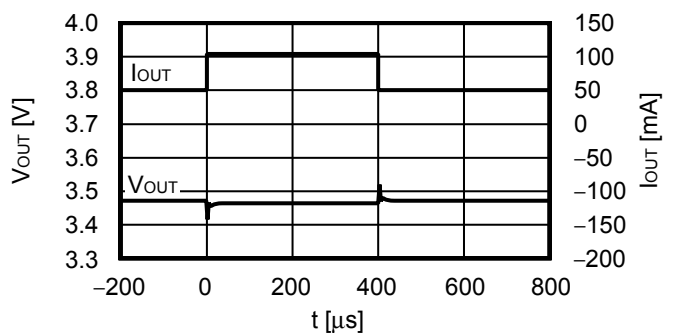


2.3 V_{OUT} = 3.5 V

V_{IN} = 4.5 V, C_{IN} = C_L = 1.0 μF, I_{OUT} = 1 mA ↔ 100 mA, t_r = t_f = 1.0 μs



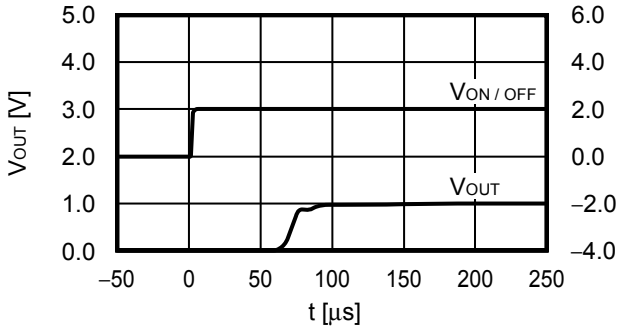
V_{IN} = 4.5 V, C_{IN} = C_L = 1.0 μF, I_{OUT} = 50 mA ↔ 100 mA, t_r = t_f = 1.0 μs



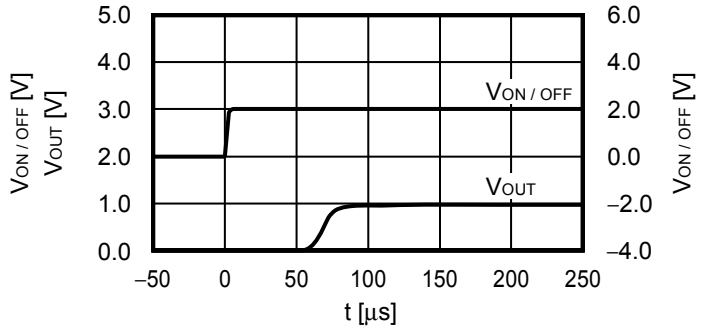
3. Transient response characteristics of ON / OFF pin ($T_a = +25^\circ\text{C}$)

3.1 $V_{\text{OUT}} = 1.0 \text{ V}$

$V_{\text{IN}} = 2.0 \text{ V}$, $C_{\text{IN}} = C_{\text{L}} = 1.0 \mu\text{F}$, $I_{\text{OUT}} = 1 \text{ mA}$, $V_{\text{ON/OFF}} = 0 \text{ V} \rightarrow 2.0 \text{ V}$, $t_r = 1.0 \mu\text{s}$

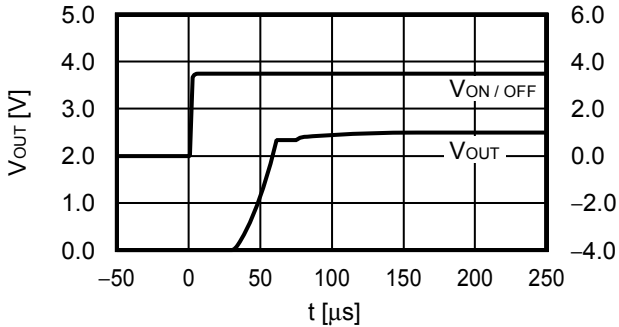


$V_{\text{IN}} = 2.0 \text{ V}$, $C_{\text{IN}} = C_{\text{L}} = 1.0 \mu\text{F}$, $I_{\text{OUT}} = 100 \text{ mA}$, $V_{\text{ON/OFF}} = 0 \text{ V} \rightarrow 2.0 \text{ V}$, $t_r = 1.0 \mu\text{s}$

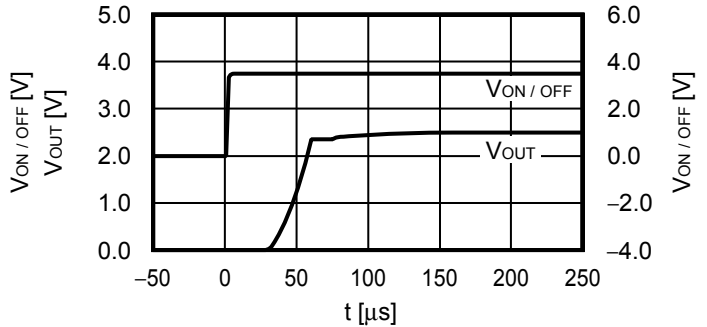


3.2 $V_{\text{OUT}} = 2.5 \text{ V}$

$V_{\text{IN}} = 3.5 \text{ V}$, $C_{\text{IN}} = C_{\text{L}} = 1.0 \mu\text{F}$, $I_{\text{OUT}} = 1 \text{ mA}$, $V_{\text{ON/OFF}} = 0 \text{ V} \rightarrow 3.5 \text{ V}$, $t_r = 1.0 \mu\text{s}$

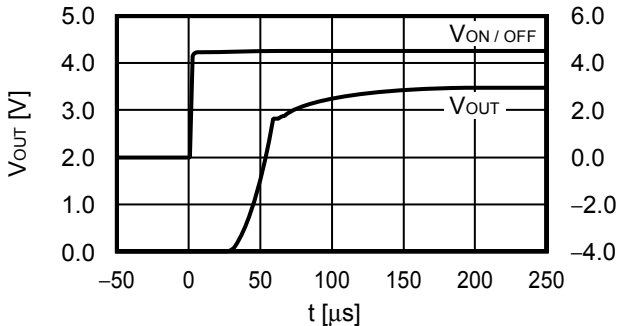


$V_{\text{IN}} = 3.5 \text{ V}$, $C_{\text{IN}} = C_{\text{L}} = 1.0 \mu\text{F}$, $I_{\text{OUT}} = 100 \text{ mA}$, $V_{\text{ON/OFF}} = 0 \text{ V} \rightarrow 3.5 \text{ V}$, $t_r = 1.0 \mu\text{s}$

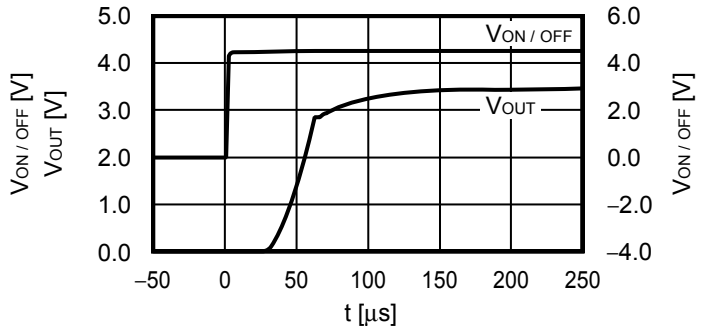


3.3 $V_{\text{OUT}} = 3.5 \text{ V}$

$V_{\text{IN}} = 4.5 \text{ V}$, $C_{\text{IN}} = C_{\text{L}} = 1.0 \mu\text{F}$, $I_{\text{OUT}} = 1 \text{ mA}$, $V_{\text{ON/OFF}} = 0 \text{ V} \rightarrow 4.5 \text{ V}$, $t_r = 1.0 \mu\text{s}$



$V_{\text{IN}} = 4.5 \text{ V}$, $C_{\text{IN}} = C_{\text{L}} = 1.0 \mu\text{F}$, $I_{\text{OUT}} = 100 \text{ mA}$, $V_{\text{ON/OFF}} = 0 \text{ V} \rightarrow 4.5 \text{ V}$, $t_r = 1.0 \mu\text{s}$



4. Output capacitance vs. Characteristics of discharge time ($T_a = +25^\circ\text{C}$)

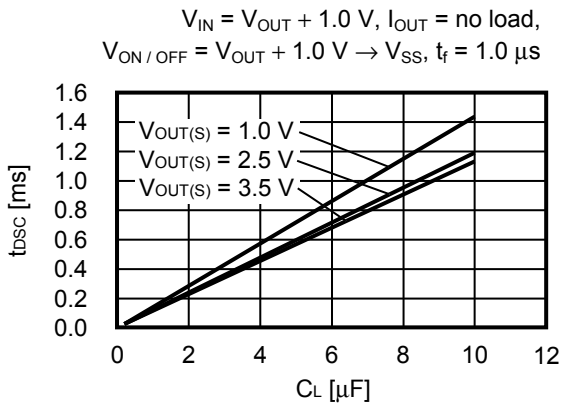


Figure 20 S-1324 Series A / B type
(with discharge shunt function)

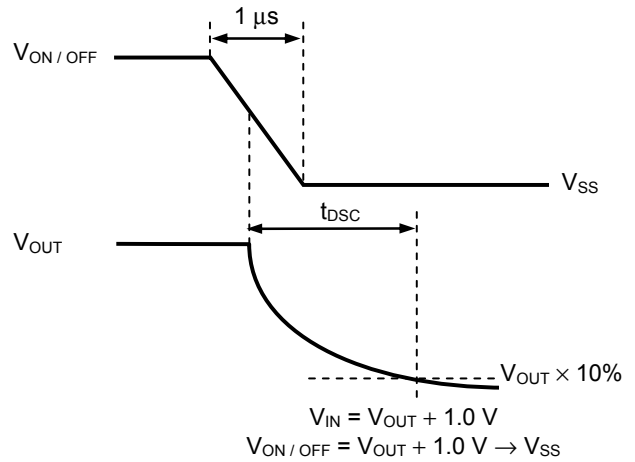


Figure 21 Measurement Condition of Discharge Time

5. Example of equivalent series resistance vs. Output current characteristics ($T_a = +25^\circ\text{C}$)

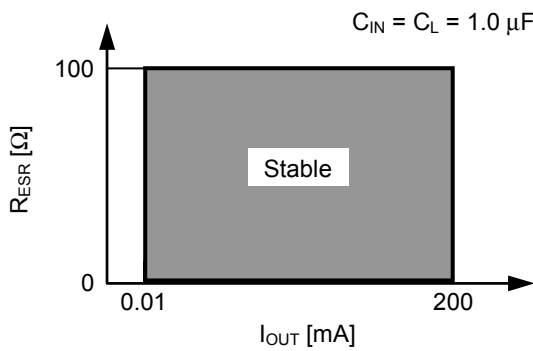
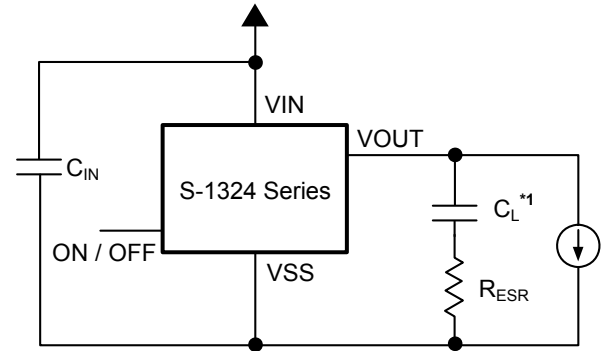


Figure 22

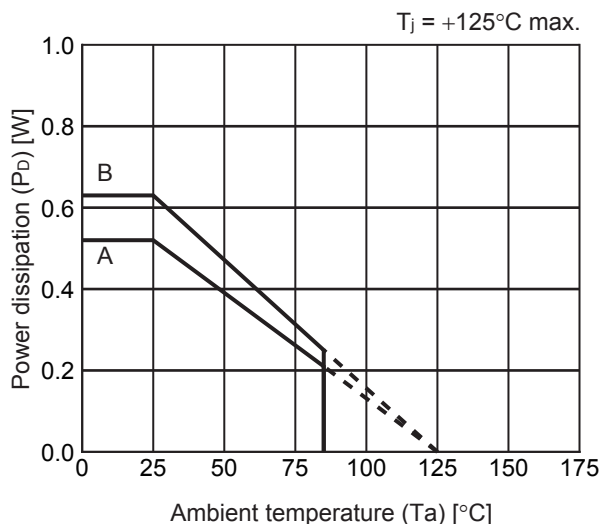


*1. C_L : TDK Corporation C3216X8R1E105K (1.0 μF)

Figure 23

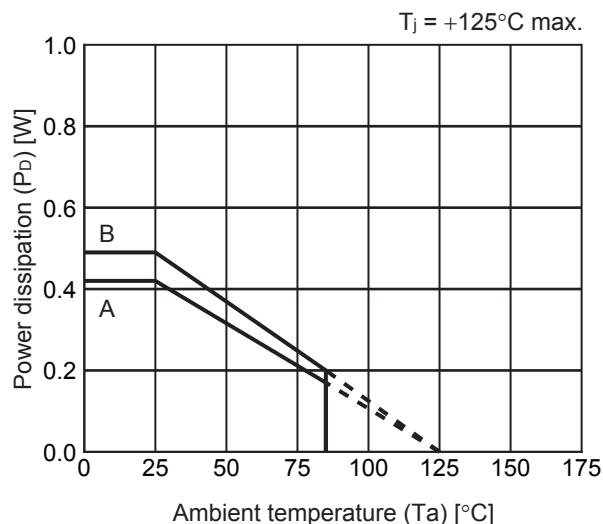
■ Power Dissipation

SOT-23-5



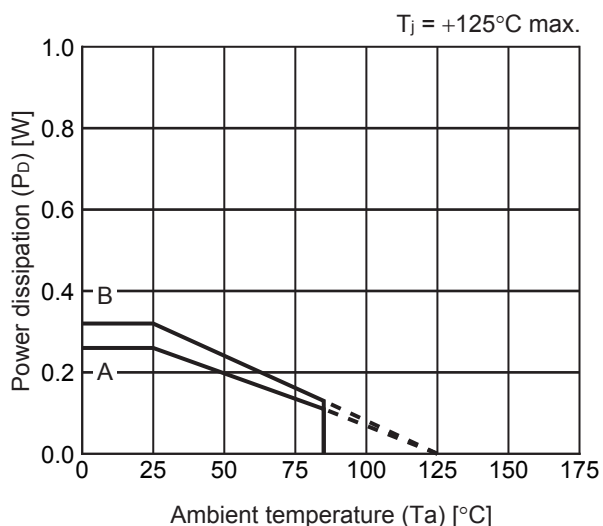
Board	Power Dissipation (P _D)
A	0.52 W
B	0.63 W
C	–
D	–
E	–

SC-82AB



Board	Power Dissipation (P _D)
A	0.42 W
B	0.49 W
C	–
D	–
E	–

HSNT-4(1010)

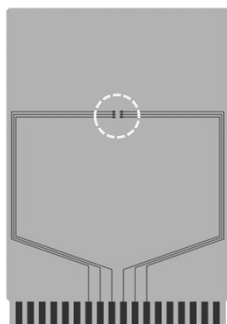


Board	Power Dissipation (P _D)
A	0.26 W
B	0.32 W
C	–
D	–
E	–

SOT-23-3/3S/5/6 Test Board

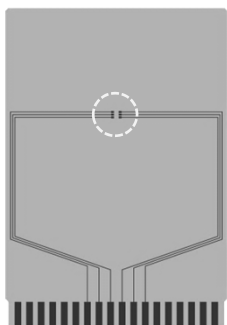
 IC Mount Area

(1) Board A



Item	Specification	
Size [mm]	114.3 x 76.2 x t1.6	
Material	FR-4	
Number of copper foil layer	2	
Copper foil layer [mm]	1	Land pattern and wiring for testing: t0.070
	2	-
	3	-
	4	74.2 x 74.2 x t0.070
Thermal via	-	

(2) Board B




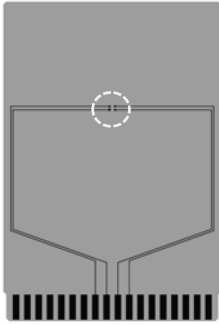
Item	Specification	
Size [mm]	114.3 x 76.2 x t1.6	
Material	FR-4	
Number of copper foil layer	4	
Copper foil layer [mm]	1	Land pattern and wiring for testing: t0.070
	2	74.2 x 74.2 x t0.035
	3	74.2 x 74.2 x t0.035
	4	74.2 x 74.2 x t0.070
Thermal via	-	

No. SOT23x-A-Board-SD-2.0

SC-82AB Test Board

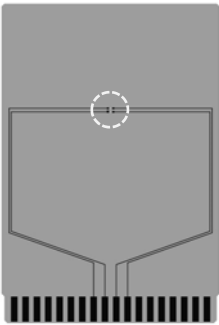
(1) Board A

 IC Mount Area



Item	Specification	
Size [mm]	114.3 x 76.2 x t1.6	
Material	FR-4	
Number of copper foil layer	2	
Copper foil layer [mm]	1	Land pattern and wiring for testing: t0.070
	2	-
	3	-
	4	74.2 x 74.2 x t0.070
Thermal via	-	

(2) Board B




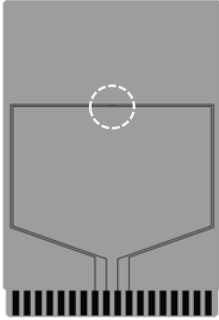
Item	Specification	
Size [mm]	114.3 x 76.2 x t1.6	
Material	FR-4	
Number of copper foil layer	4	
Copper foil layer [mm]	1	Land pattern and wiring for testing: t0.070
	2	74.2 x 74.2 x t0.035
	3	74.2 x 74.2 x t0.035
	4	74.2 x 74.2 x t0.070
Thermal via	-	

No. SC82AB-A-Board-SD-1.0

HSNT-4(1010) Test Board

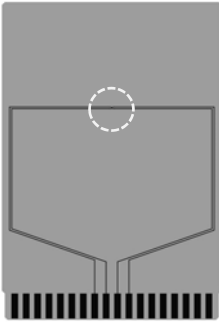
(1) Board A

 IC Mount Area



Item	Specification	
Size [mm]	114.3 x 76.2 x t1.6	
Material	FR-4	
Number of copper foil layer	2	
Copper foil layer [mm]	1	Land pattern and wiring for testing: t0.070
	2	-
	3	-
	4	74.2 x 74.2 x t0.070
Thermal via	-	

(2) Board B



Item	Specification	
Size [mm]	114.3 x 76.2 x t1.6	
Material	FR-4	
Number of copper foil layer	4	
Copper foil layer [mm]	1	Land pattern and wiring for testing: t0.070
	2	74.2 x 74.2 x t0.035
	3	74.2 x 74.2 x t0.035
	4	74.2 x 74.2 x t0.070
Thermal via	-	

No. HSNT4-B-Board-SD-1.0



No. MP005-A-P-SD-1.3

TITLE	SOT235-A-PKG Dimensions
No.	MP005-A-P-SD-1.3
ANGLE	
UNIT	mm
ABLIC Inc.	



→ Feed direction

No. MP005-A-C-SD-2.1

TITLE	SOT235-A-Carrier Tape
No.	MP005-A-C-SD-2.1
ANGLE	
UNIT	mm

ABLIC Inc.



Enlarged drawing in the central part



No. MP005-A-R-SD-1.1

TITLE	SOT235-A-Reel		
No.	MP005-A-R-SD-1.1		
ANGLE		QTY.	3,000
UNIT	mm		
ABLIC Inc.			



No. NP004-A-P-SD-2.0

TITLE	SC82AB-A-PKG Dimensions
No.	NP004-A-P-SD-2.0
ANGLE	
UNIT	mm
ABLIC Inc.	



No. NP004-A-C-SD-3.0

TITLE	SC82AB-A-Carrier Tape
No.	NP004-A-C-SD-3.0
ANGLE	
UNIT	mm
ABLIC Inc.	

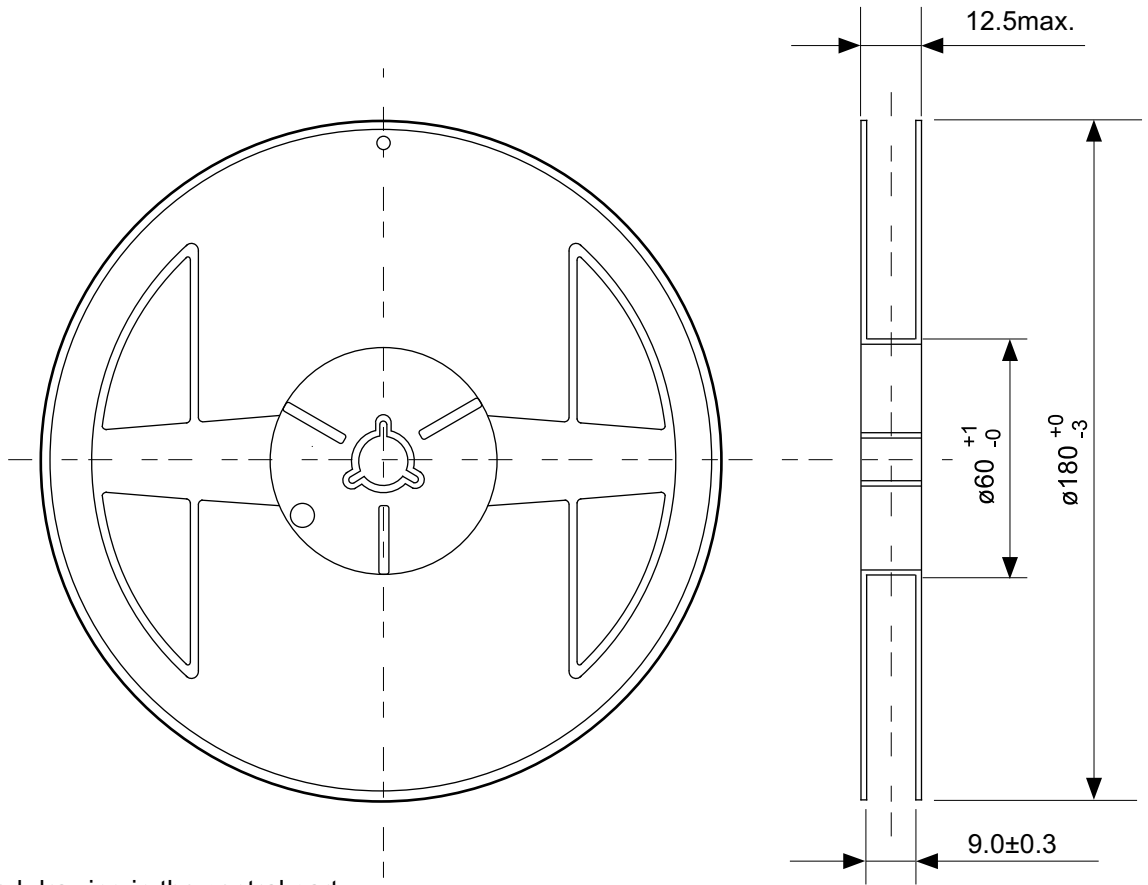


→
Feed direction

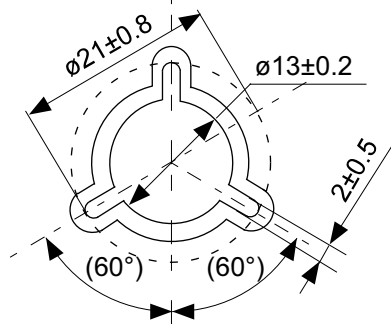
No. NP004-A-C-S1-2.0

TITLE	SC82AB-A-Carrier Tape
No.	NP004-A-C-S1-2.0
ANGLE	
UNIT	mm

ABLIC Inc.

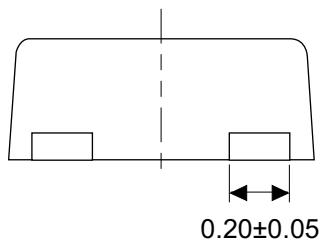
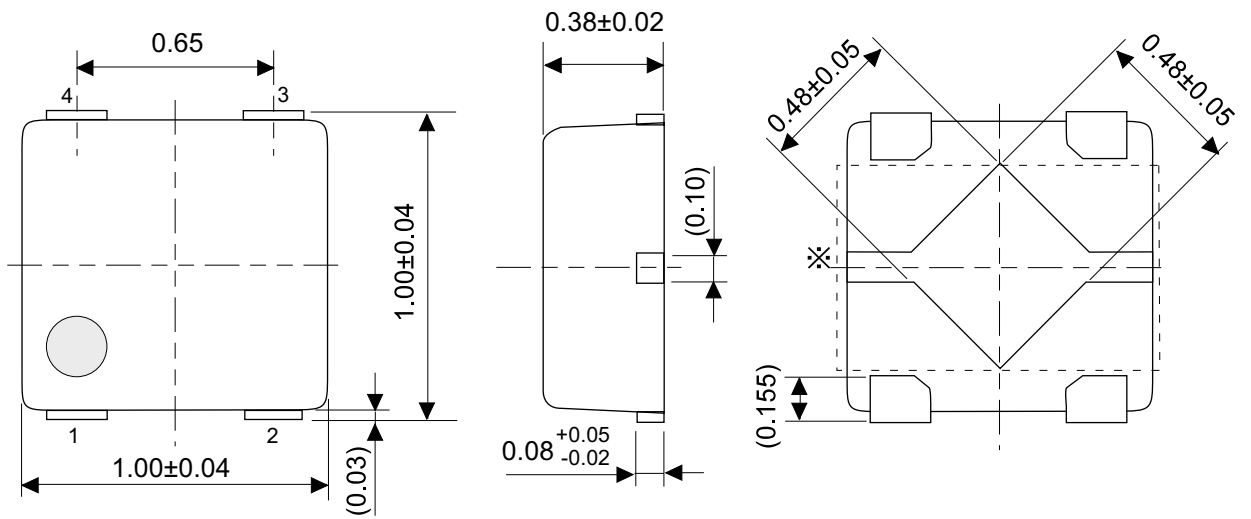


Enlarged drawing in the central part



No. NP004-A-R-SD-1.1

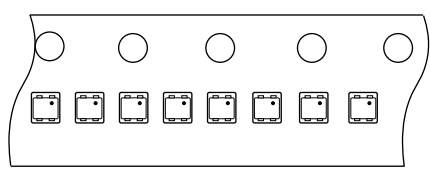
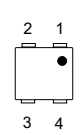
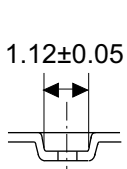
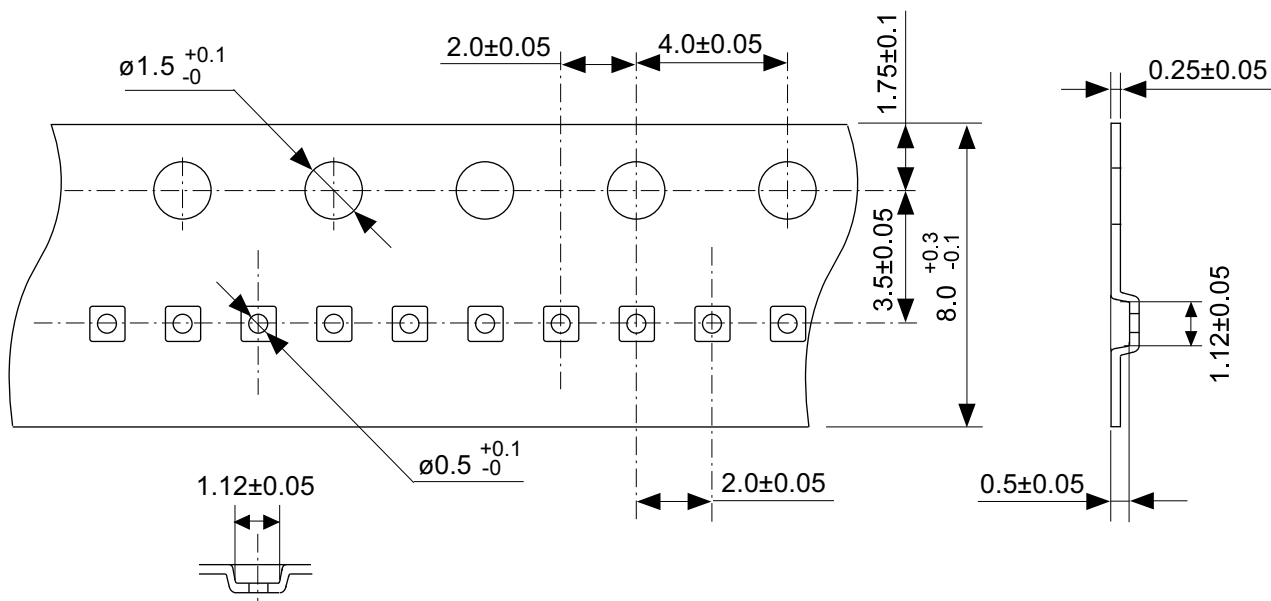
TITLE	SC82AB-A-Reel		
No.	NP004-A-R-SD-1.1		
ANGLE		QTY.	3,000
UNIT	mm		
ABLIC Inc.			



※ The heat sink of back side has different electric potential depending on the product.
 Confirm specifications of each product.
 Do not use it as the function of electrode.

No. PL004-A-P-SD-1.1

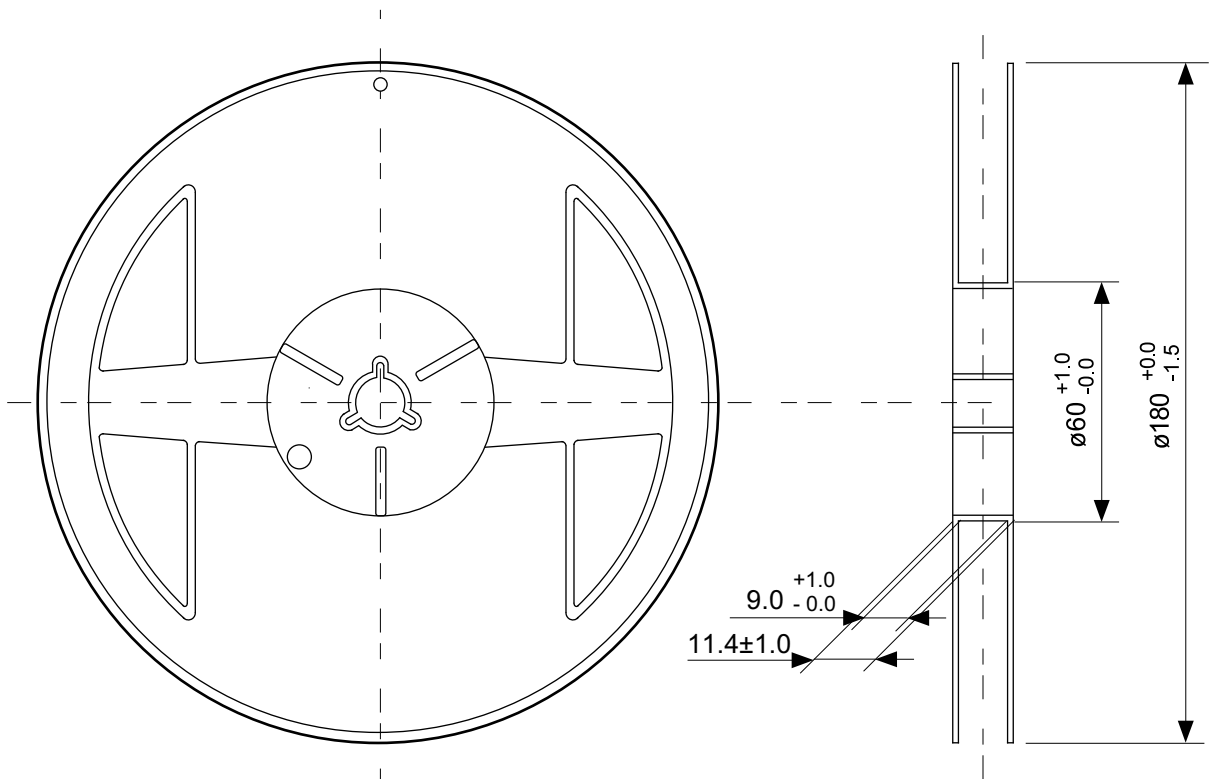
TITLE	HSNT-4-B-PKG Dimensions
No.	PL004-A-P-SD-1.1
ANGLE	
UNIT	mm
ABLIC Inc.	



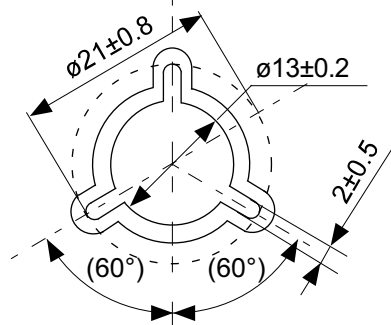
→
Feed direction

No. PL004-A-C-SD-2.0

TITLE	HSNT-4-B-Carrier Tape
No.	PL004-A-C-SD-2.0
ANGLE	
UNIT	mm
ABLIC Inc.	



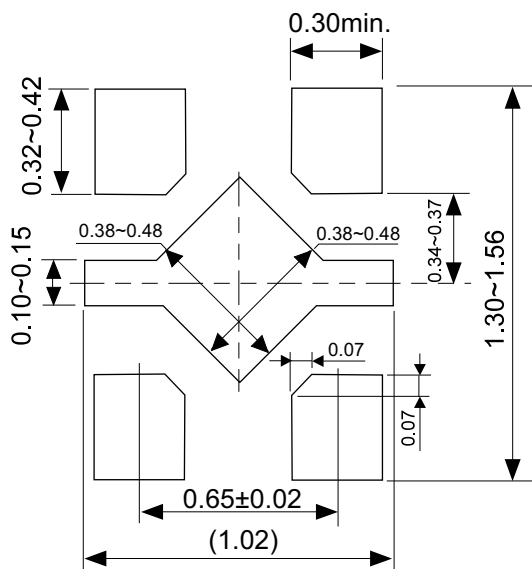
Enlarged drawing in the central part



No. PL004-A-R-SD-1.0

TITLE	HSNT-4-B-Reel		
No.	PL004-A-R-SD-1.0		
ANGLE		QTY.	10,000
UNIT	mm		
ABLIC Inc.			

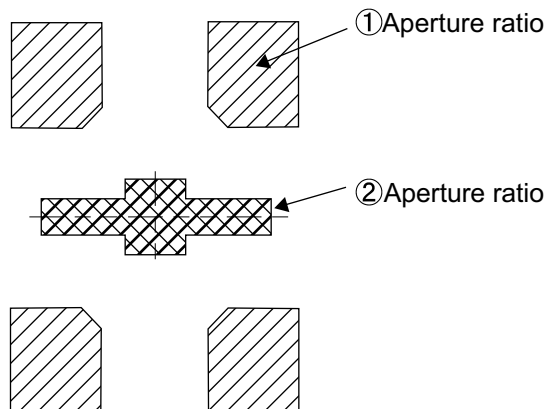
Land Pattern



Caution It is recommended to solder the heat sink to a board in order to ensure the heat radiation.

注意 放熱性を確保する為に、PKGの裏面放熱板(ヒートシンク)を基板に半田付けする事を推奨いたします。

Metal Mask Pattern



- Caution
- ① Mask aperture ratio of the lead mounting part is 100%.
 - ② Mask aperture ratio of the heat sink mounting part is 40%.
 - ③ Mask thickness: t0.10mm to 0.12 mm

- 注意
- ①リード実装部のマスク開口率は100%です。
 - ②放熱板実装のマスク開口率は40%です。
 - ③マスク厚み : t0.10mm ~ 0.12 mm

No. PL004-A-L-SD-2.0

TITLE	HSNT-4-B -Land Recommendation
No.	PL004-A-L-SD-2.0
ANGLE	
UNIT	mm
ABLIC Inc.	

Disclaimers (Handling Precautions)

1. All the information described herein (product data, specifications, figures, tables, programs, algorithms and application circuit examples, etc.) is current as of publishing date of this document and is subject to change without notice.
2. The circuit examples and the usages described herein are for reference only, and do not guarantee the success of any specific mass-production design.
ABLIC Inc. is not liable for any losses, damages, claims or demands caused by the reasons other than the products described herein (hereinafter "the products") or infringement of third-party intellectual property right and any other right due to the use of the information described herein.
3. ABLIC Inc. is not liable for any losses, damages, claims or demands caused by the incorrect information described herein.
4. Be careful to use the products within their ranges described herein. Pay special attention for use to the absolute maximum ratings, operation voltage range and electrical characteristics, etc.
ABLIC Inc. is not liable for any losses, damages, claims or demands caused by failures and / or accidents, etc. due to the use of the products outside their specified ranges.
5. Before using the products, confirm their applications, and the laws and regulations of the region or country where they are used and verify suitability, safety and other factors for the intended use.
6. When exporting the products, comply with the Foreign Exchange and Foreign Trade Act and all other export-related laws, and follow the required procedures.
7. The products are strictly prohibited from using, providing or exporting for the purposes of the development of weapons of mass destruction or military use. ABLIC Inc. is not liable for any losses, damages, claims or demands caused by any provision or export to the person or entity who intends to develop, manufacture, use or store nuclear, biological or chemical weapons or missiles, or use any other military purposes.
8. The products are not designed to be used as part of any device or equipment that may affect the human body, human life, or assets (such as medical equipment, disaster prevention systems, security systems, combustion control systems, infrastructure control systems, vehicle equipment, traffic systems, in-vehicle equipment, aviation equipment, aerospace equipment, and nuclear-related equipment), excluding when specified for in-vehicle use or other uses by ABLIC, Inc. Do not apply the products to the above listed devices and equipments.
ABLIC Inc. is not liable for any losses, damages, claims or demands caused by unauthorized or unspecified use of the products.
9. In general, semiconductor products may fail or malfunction with some probability. The user of the products should therefore take responsibility to give thorough consideration to safety design including redundancy, fire spread prevention measures, and malfunction prevention to prevent accidents causing injury or death, fires and social damage, etc. that may ensue from the products' failure or malfunction.
The entire system in which the products are used must be sufficiently evaluated and judged whether the products are allowed to apply for the system on customer's own responsibility.
10. The products are not designed to be radiation-proof. The necessary radiation measures should be taken in the product design by the customer depending on the intended use.
11. The products do not affect human health under normal use. However, they contain chemical substances and heavy metals and should therefore not be put in the mouth. The fracture surfaces of wafers and chips may be sharp. Be careful when handling these with the bare hands to prevent injuries, etc.
12. When disposing of the products, comply with the laws and ordinances of the country or region where they are used.
13. The information described herein contains copyright information and know-how of ABLIC Inc. The information described herein does not convey any license under any intellectual property rights or any other rights belonging to ABLIC Inc. or a third party. Reproduction or copying of the information from this document or any part of this document described herein for the purpose of disclosing it to a third-party is strictly prohibited without the express permission of ABLIC Inc.
14. For more details on the information described herein or any other questions, please contact ABLIC Inc.'s sales representative.
15. This Disclaimers have been delivered in a text using the Japanese language, which text, despite any translations into the English language and the Chinese language, shall be controlling.

2.4-2019.07