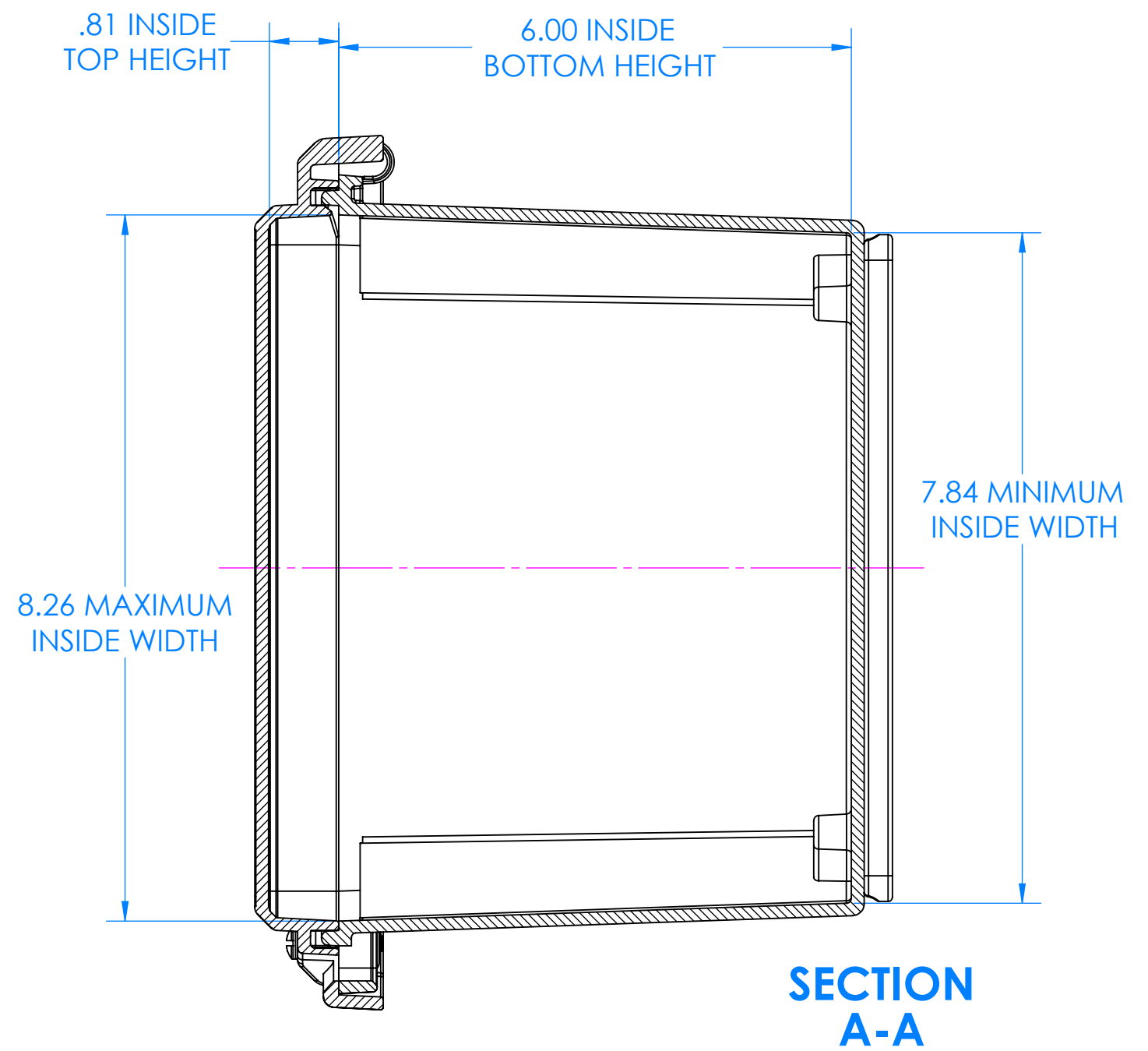
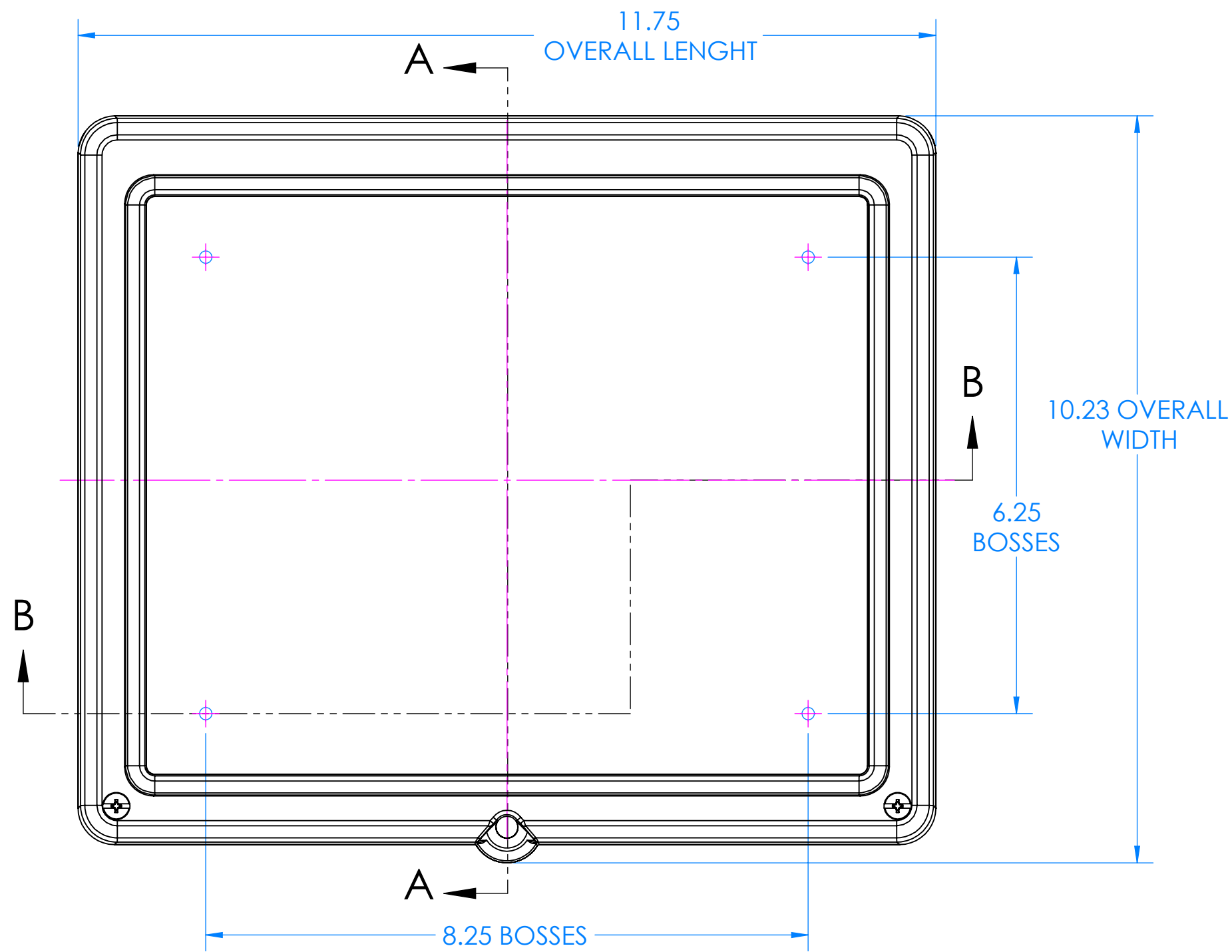


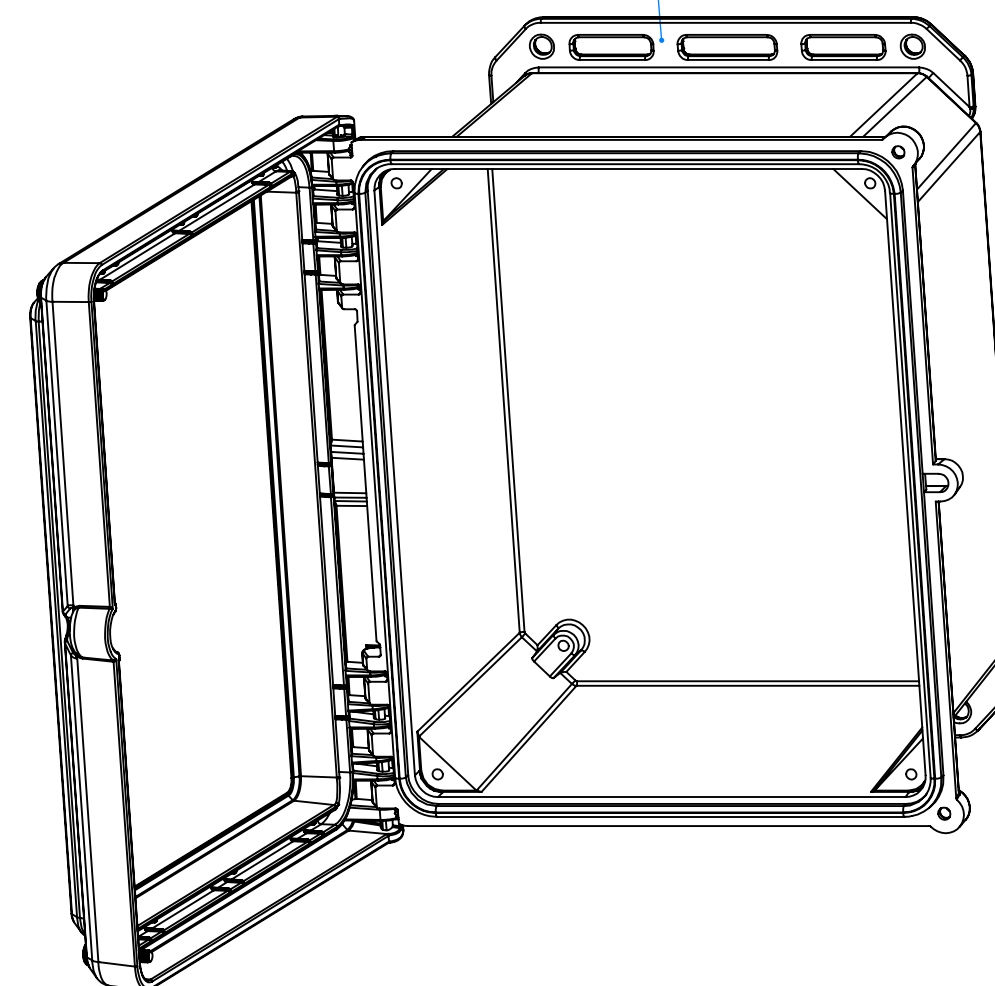
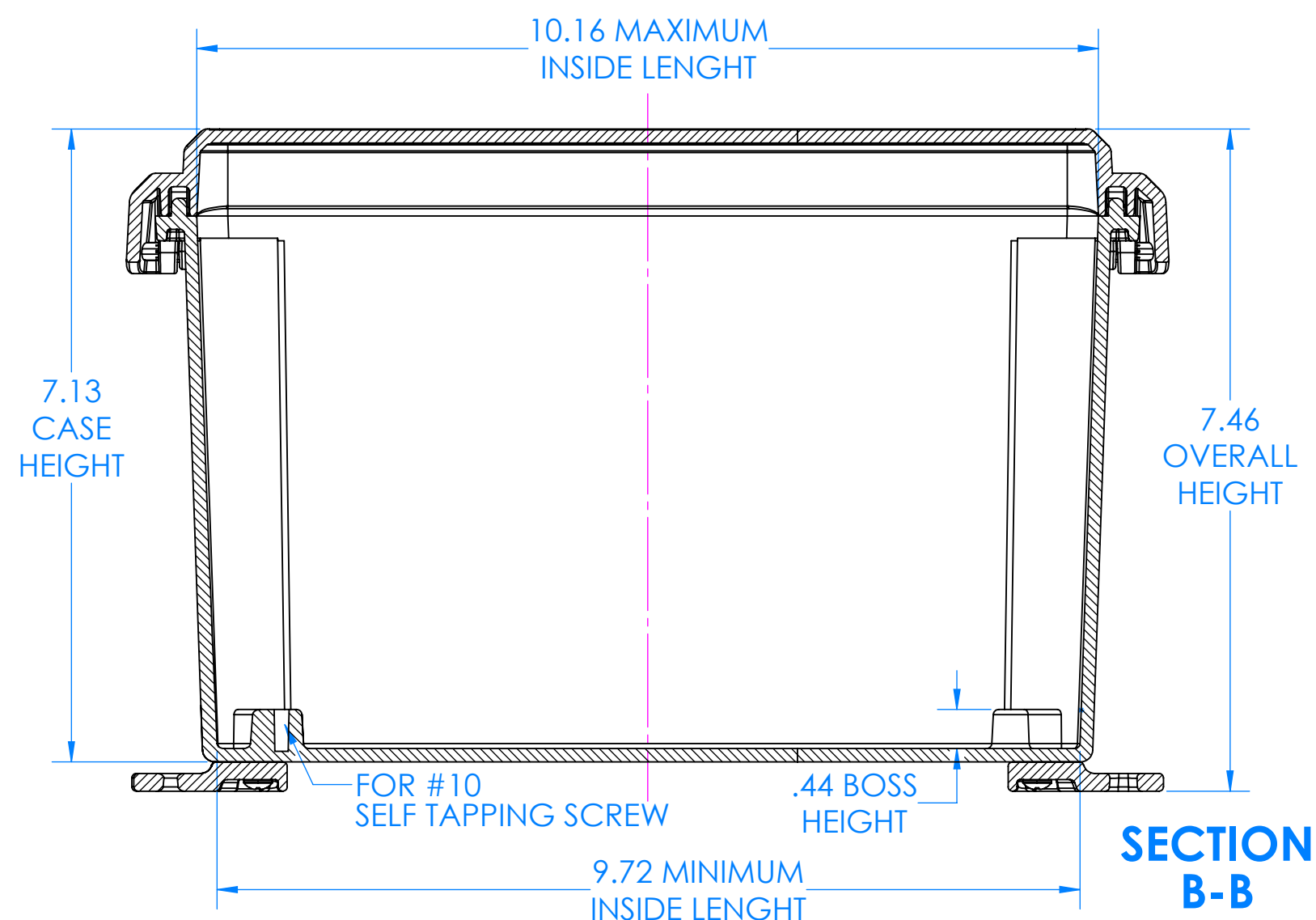
SERPAC I352HS

Electronic Enclosures



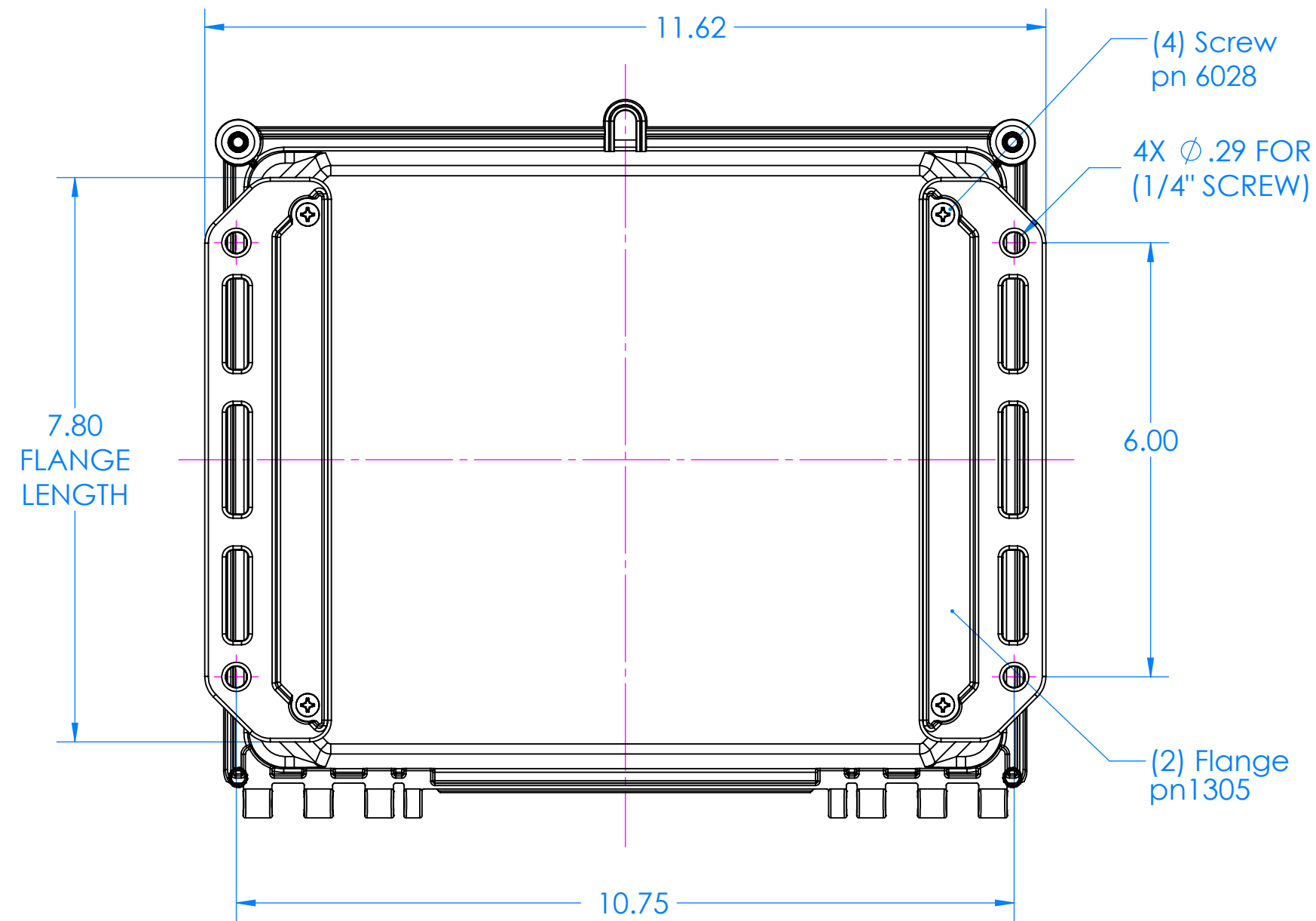
2 Mounting Brackets included, see sheet 2 for dimensions and for optional mounting Corner Feet and Brackets.

Aluminum and Plastic Panel Kits are available as options, see sheets 3-6. The aluminum panel options are:
 Bottom Panel Kit p/n 7200B
 Top Panel Kit p/n 7200T
 Hinged Top Panel Kit p/n 7200TH
 The plastic panel option is:
 Hinged Panel Kit p/n 7200HP



- UL listed to UL 508A 4/4X standard (UL file E519183).
- Material: UV stabilized Polycarbonate Flammability V0, F1 rated material.
- Watertight enclosure meets or exceeds Nema 4 and or IP67.

PARTS INCLUDED		
P/N	Qty.	Description
I352 HST	1	I352 Hinged Screw Top
I350 HSB	1	I350 Hinge Screw Bottom
8350	1	350 Perimeter O-ring
6031	2	10-32 X 1" Screw
6104	2	10-32 Threaded insert
8001	2	SS #10 X 5/8" Pan H/L
1305	2	Mounting Bracket
6028	4	SS #10 X 5/8" Pan H/L



INCLUDED STANDARD 1305 FLANGE KIT

Part included in Kit number 1305		
P/N	Qty.	Description
1305	2	Flange
6028	4	SS #10 X 5/8" Pan Combo H/L Screw

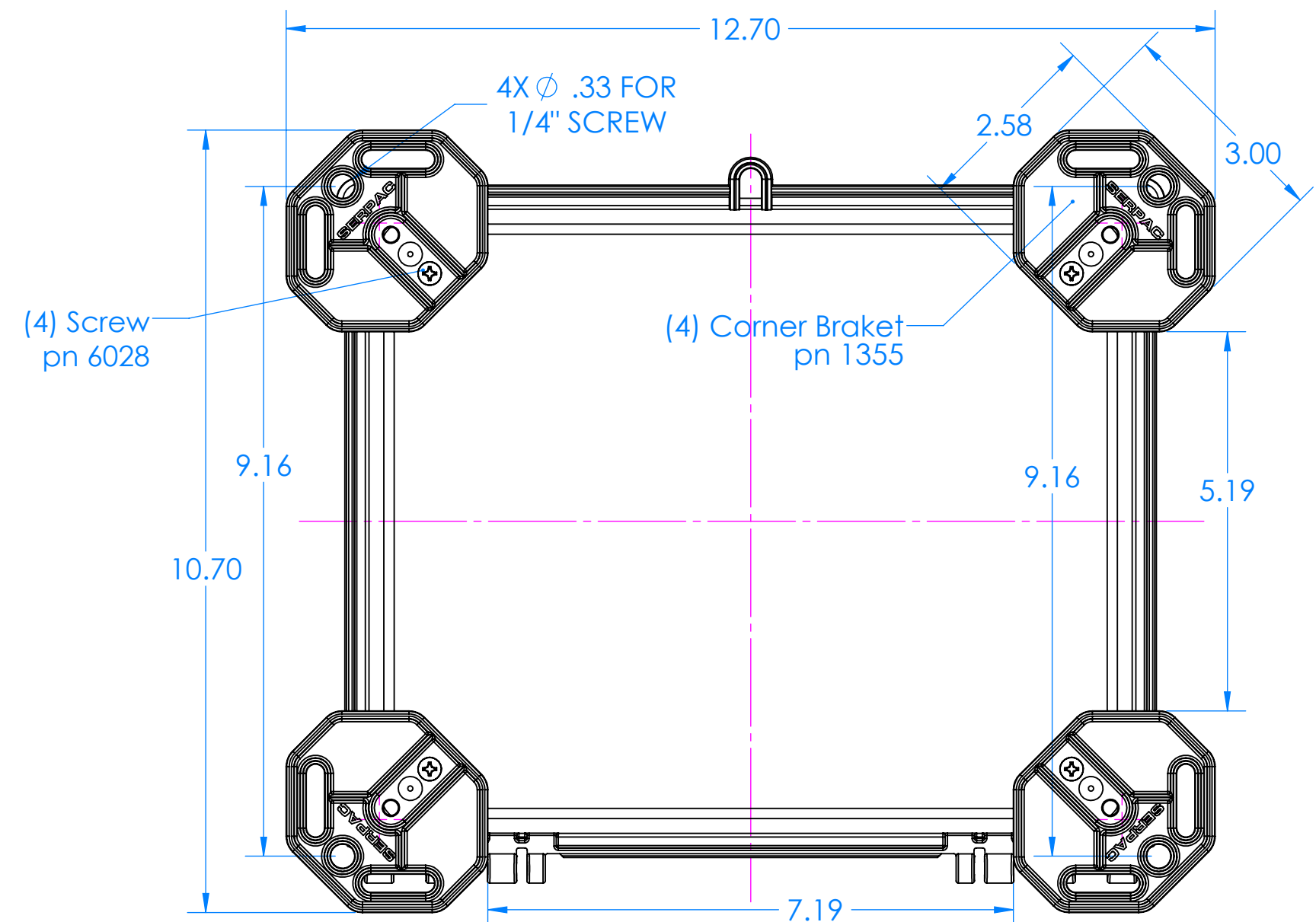
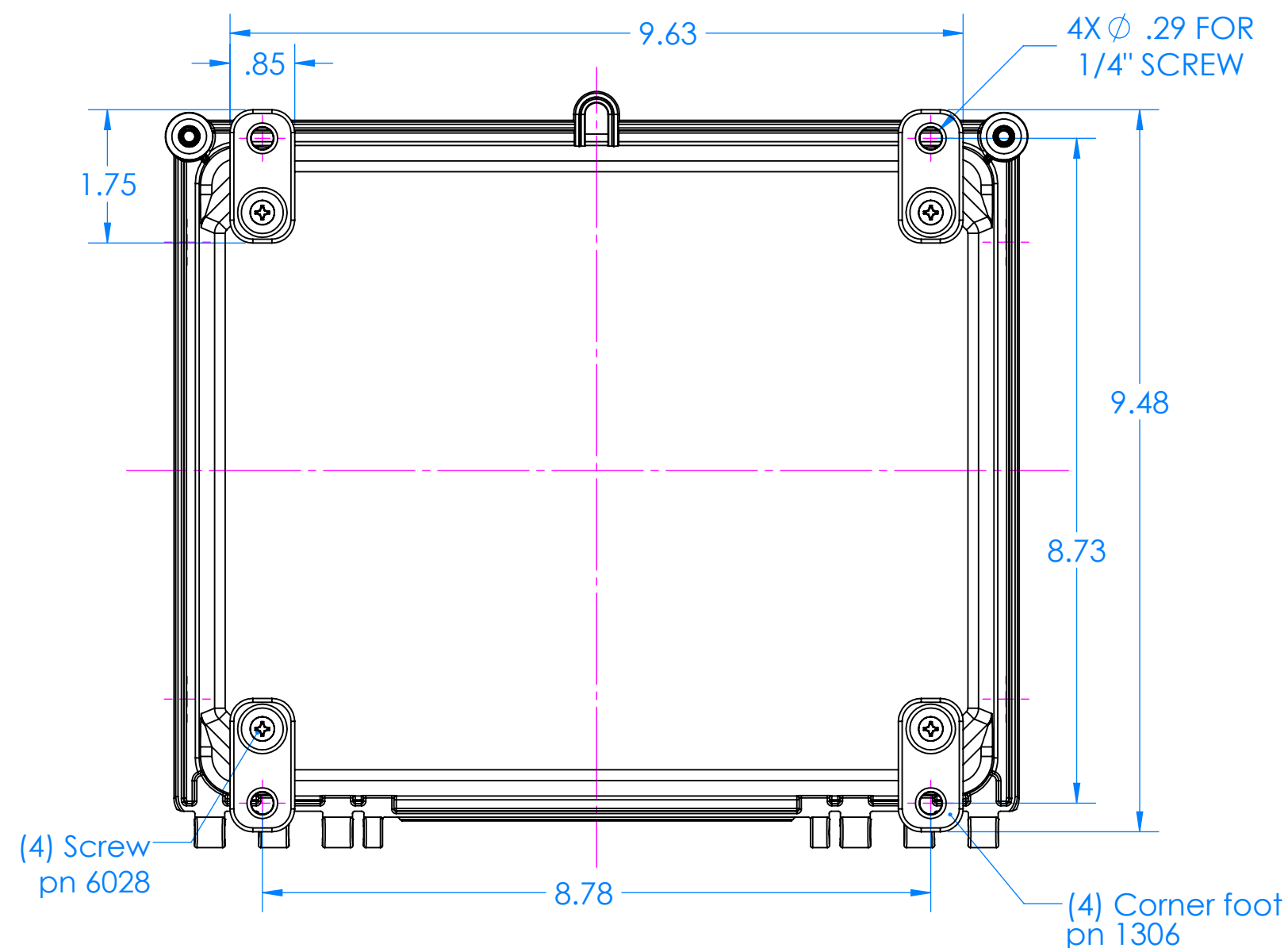
TOP & LATCHES REMOVED FOR CLARITY FROM ALL VIEWS

OPTIONAL 1306 CORNER FEET KIT

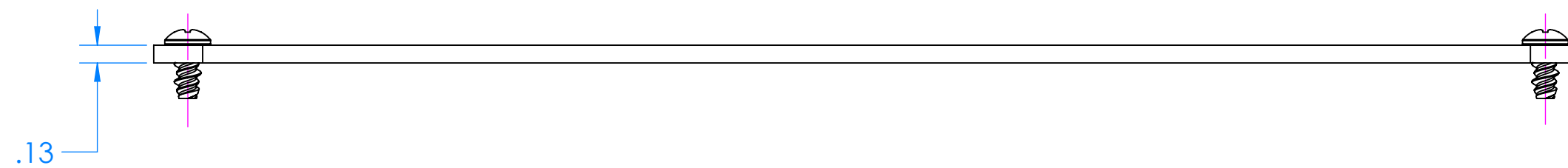
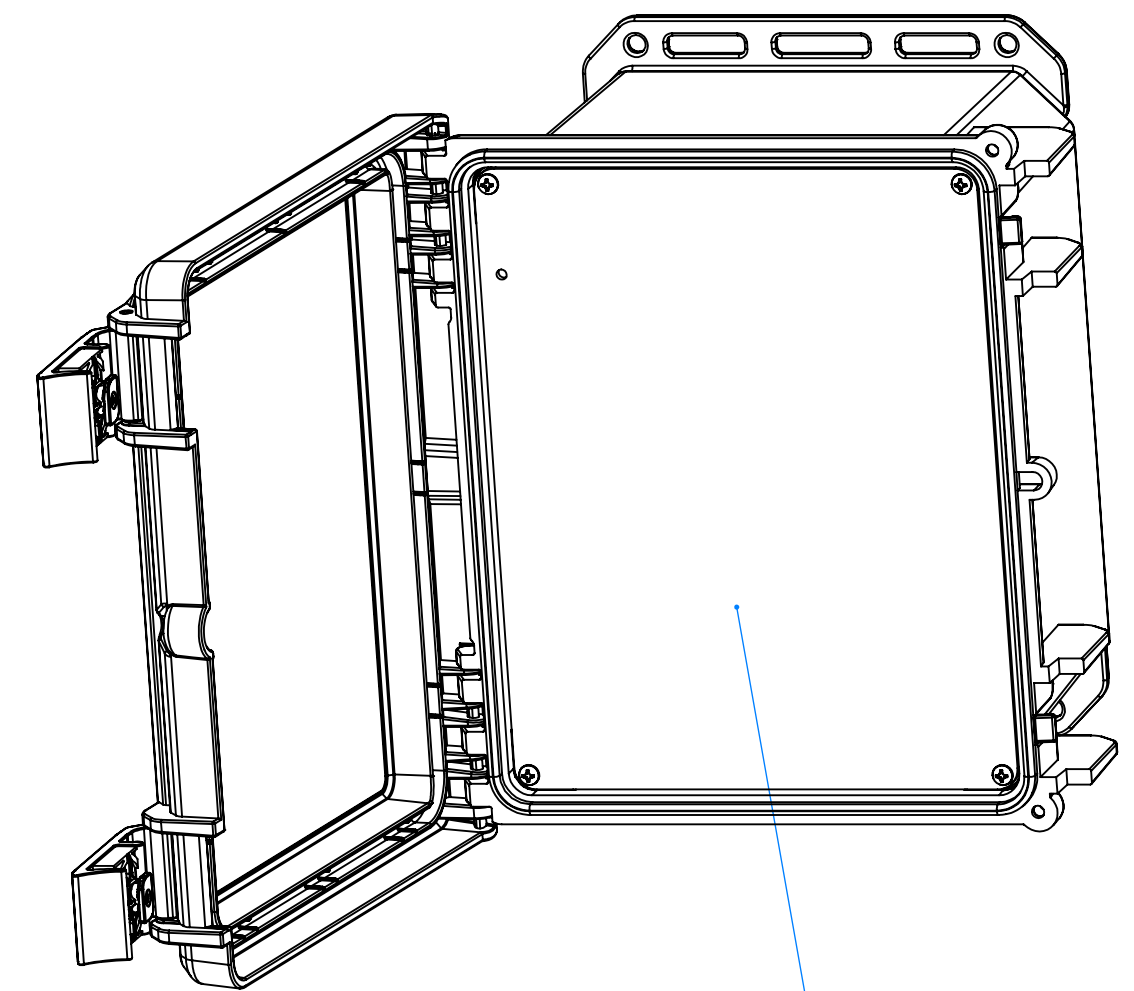
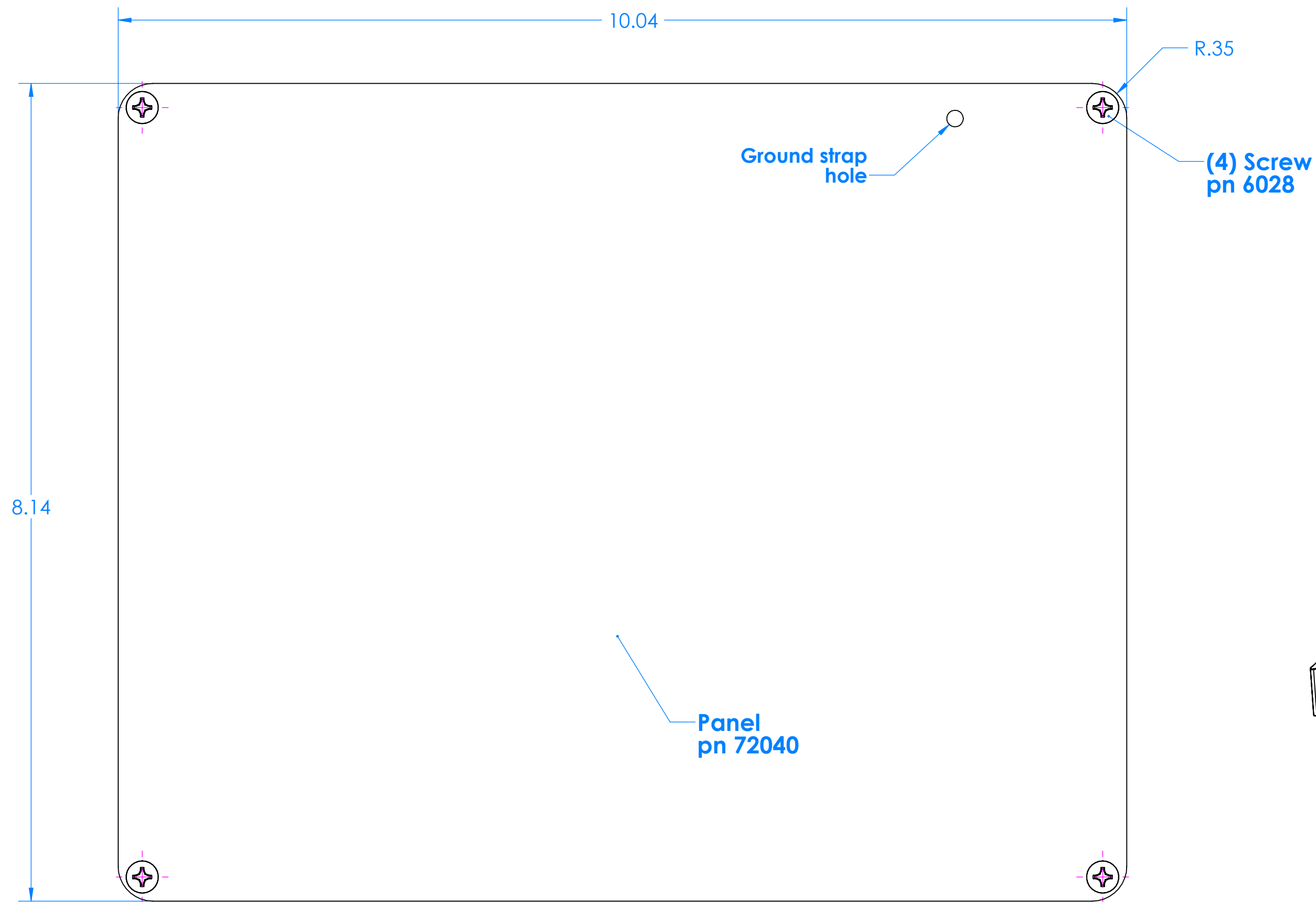
Part included in Kit number 1306		
P/N	Qty.	Description
1306	4	Mounting Corner Foot
6028	4	SS #10 X 5/8" Pan Combo H/L Screw

OPTIONAL 1355 CORNER BRACKETS KIT

Part included in Kit number 1355		
P/N	Qty.	Description
1355	4	Mounting Corner Bracket
6028	4	SS #10 X 5/8" Pan Combo H/L Screw



7200T Aluminum Top Panel Kit for 352HL, 342HL, 352HS, 342HS, 352S and 342S

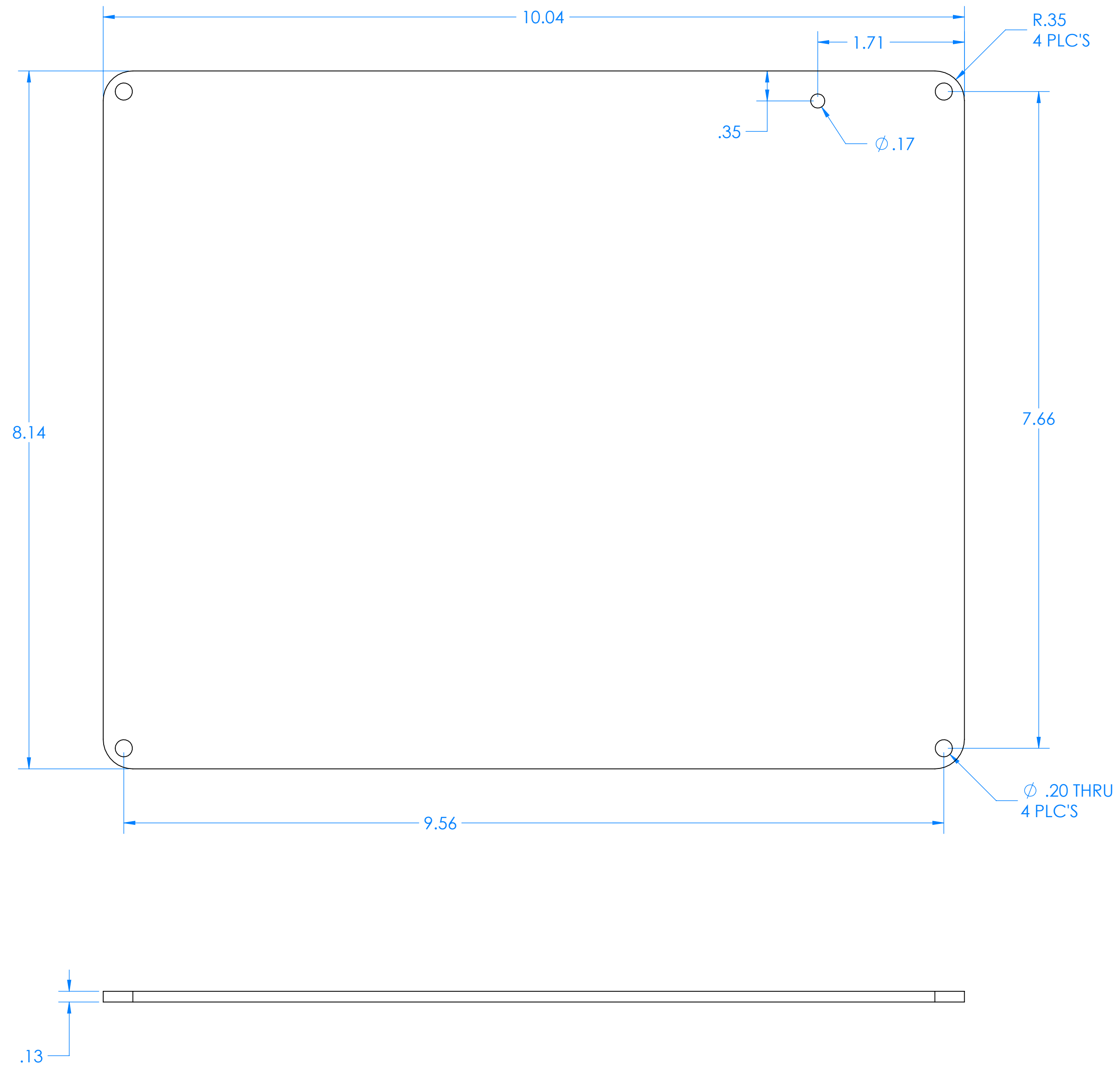


Part included in Kit number 7200T		
P/N	Qty.	Description
72040	1	Aluminum Top Panel
6029	4	SS #10 X 3/8" Pan HL Screw

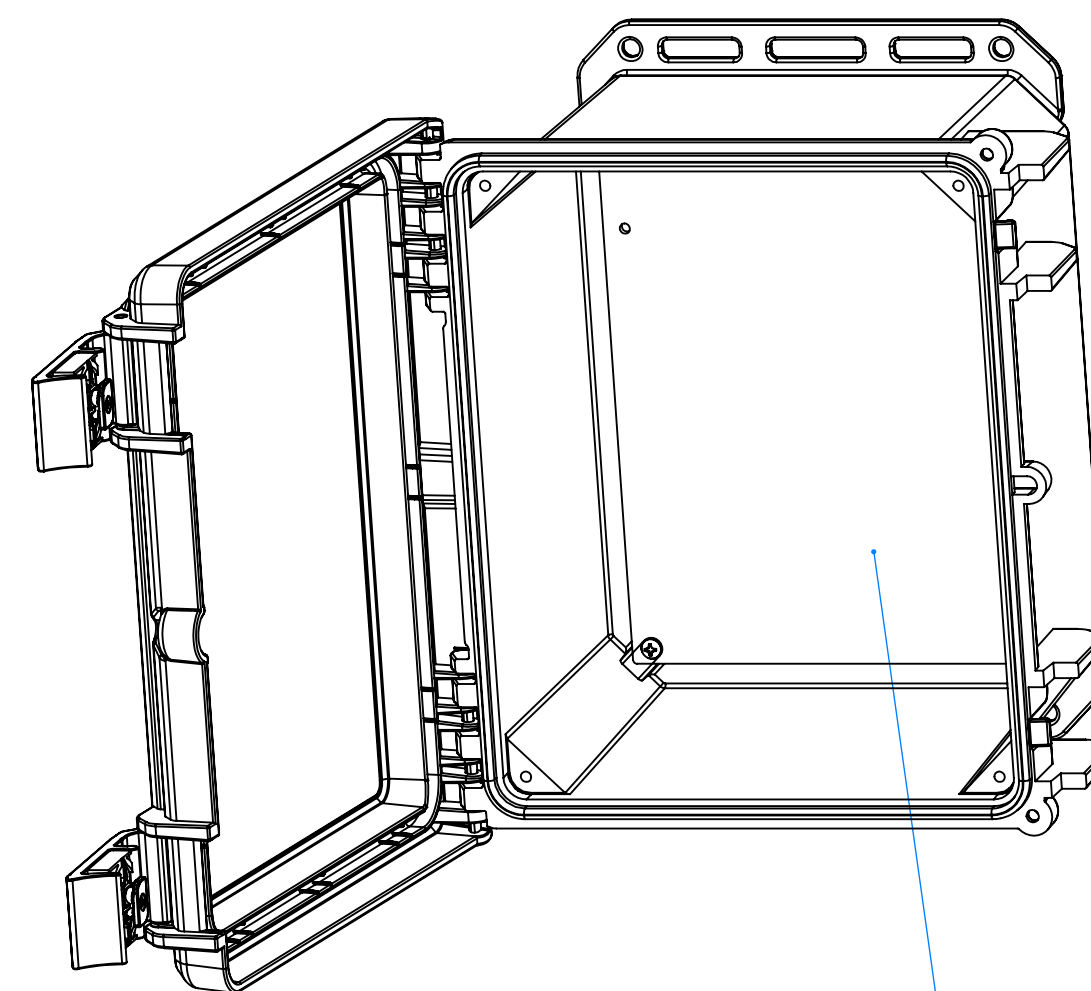
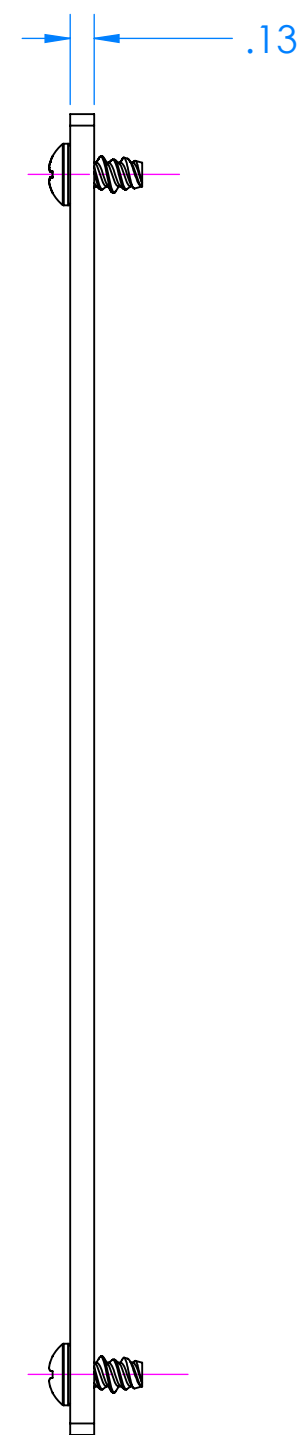
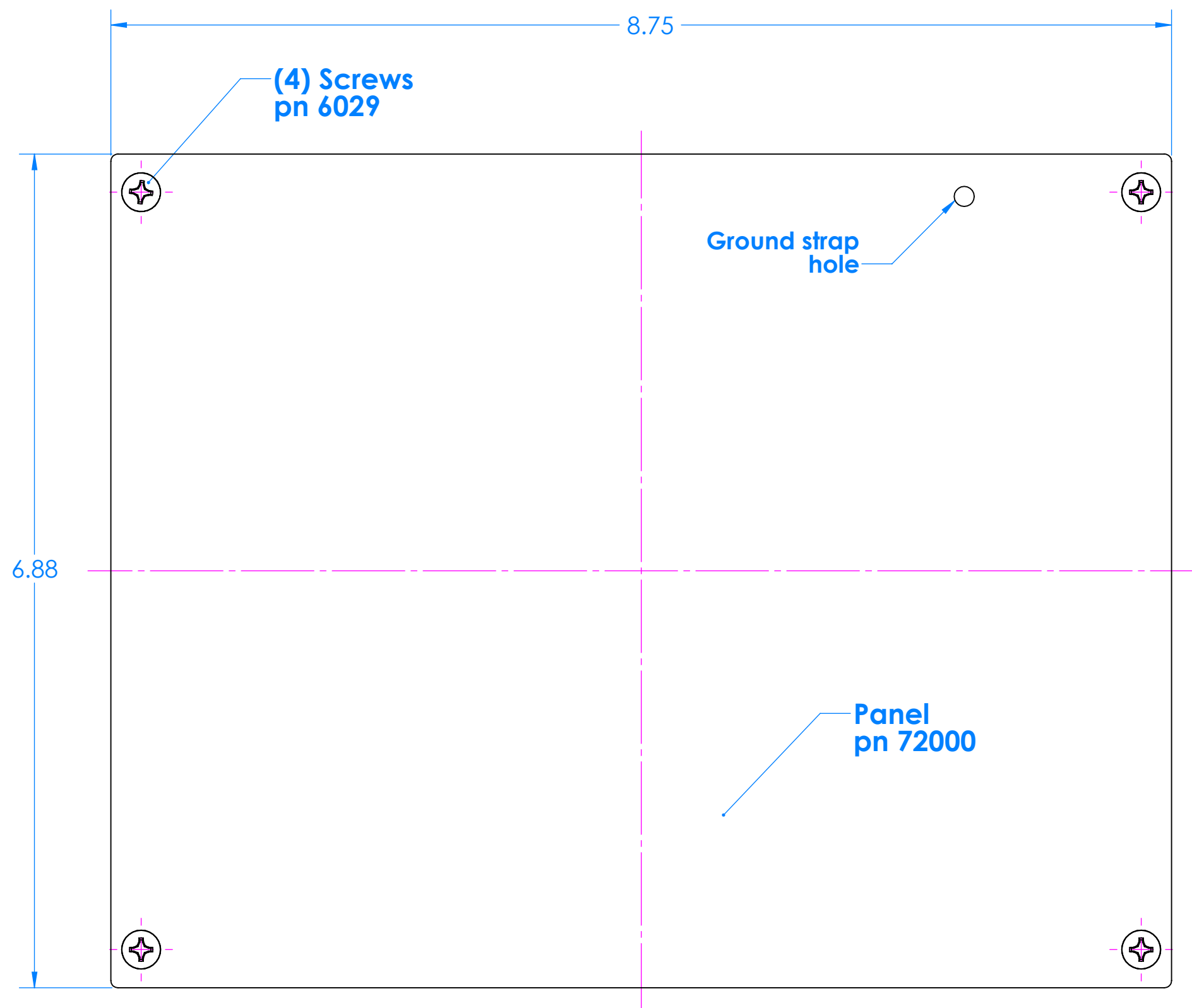
11/9/2021

72040 Aluminum Top Panel

352HL, 342HL, 352HS, 342HS, 352S and 342S



7200B Aluminum Bottom Panel Kit for 352HL, 342HL, 352HS, 342HS, 352S and 342S

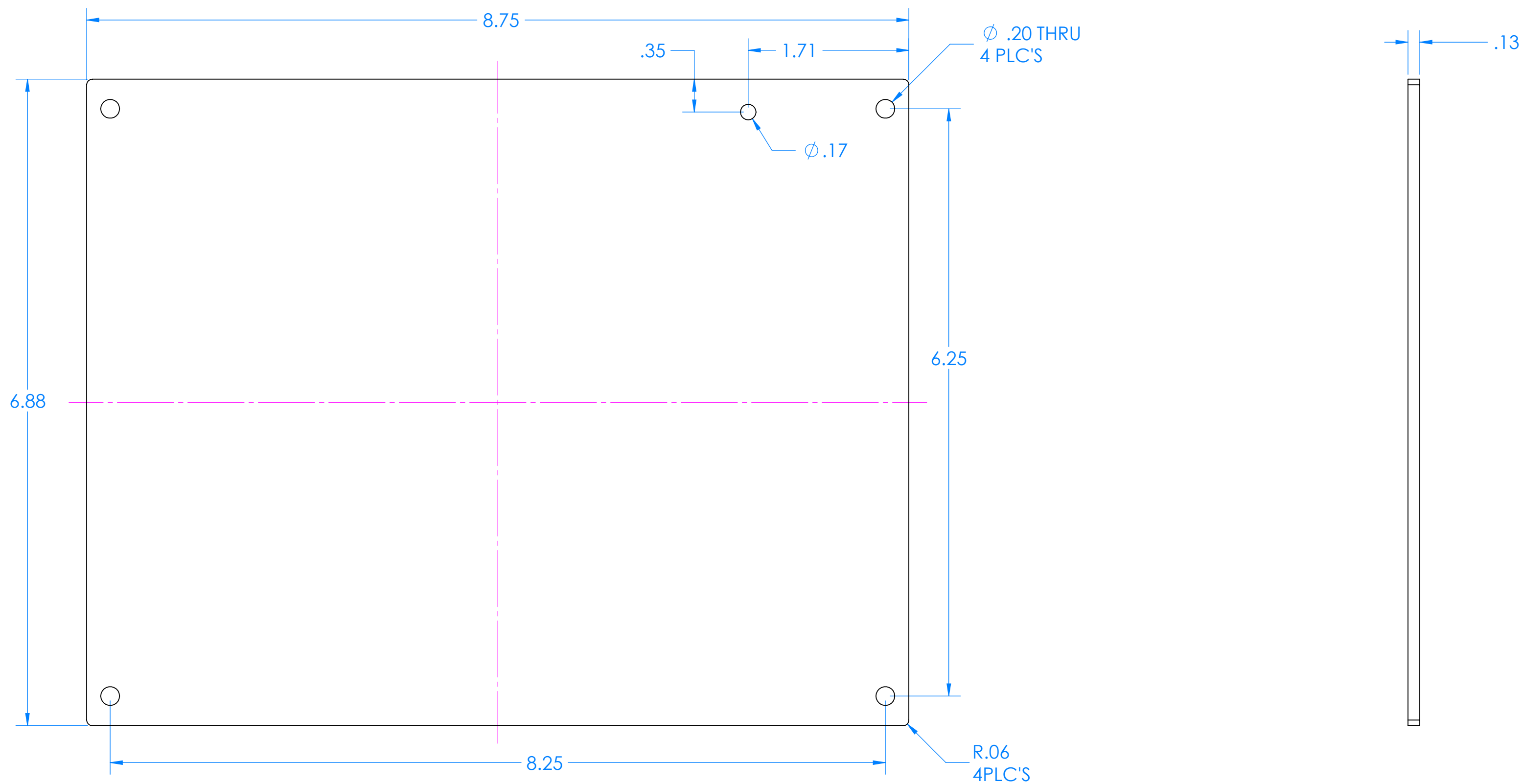


Optional kit
pn 7200B

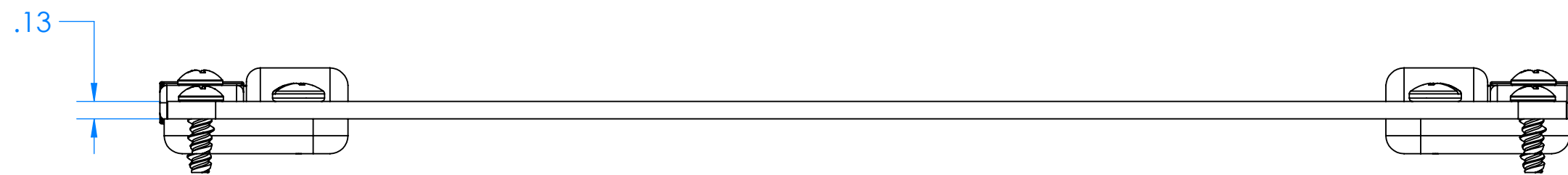
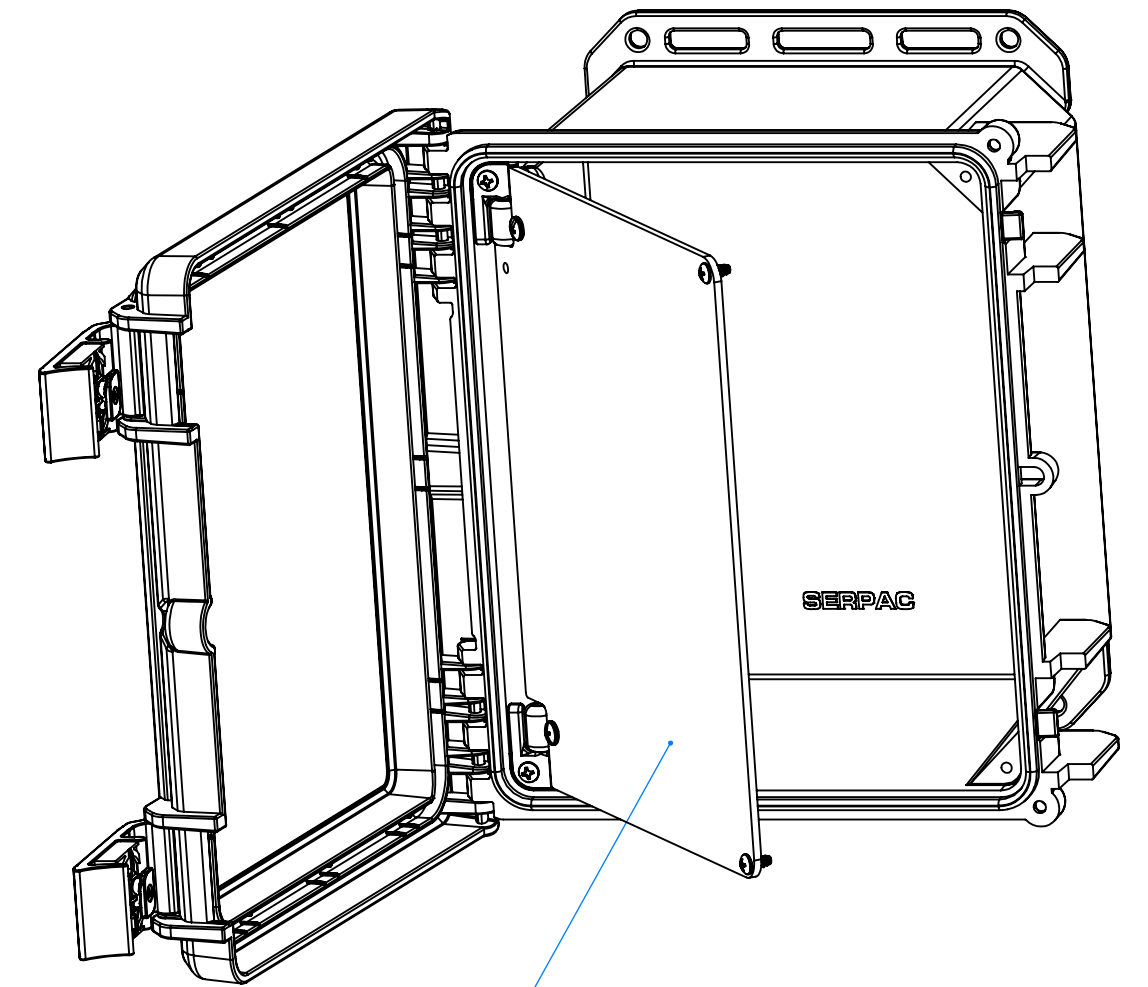
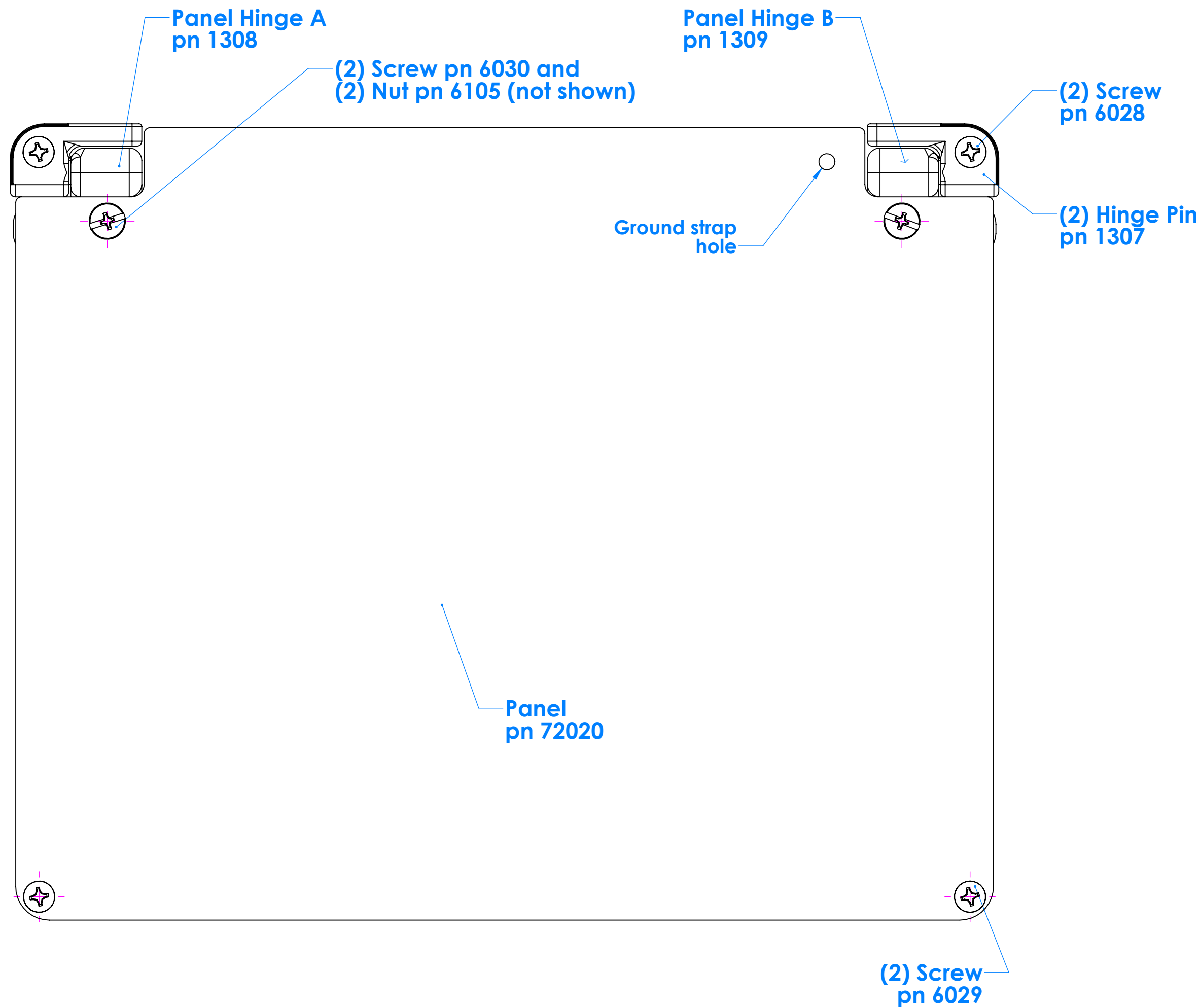
Part included in Kit number 7200B		
P/N	Qty.	Description
72000	1	Aluminum Bottom Panel
6029	4	SS #10 X 3/8" Pan HL Screw

72000 Aluminum Bottom Panel

352HL, 342HL, 352HS, 342HS, 352S and 342S



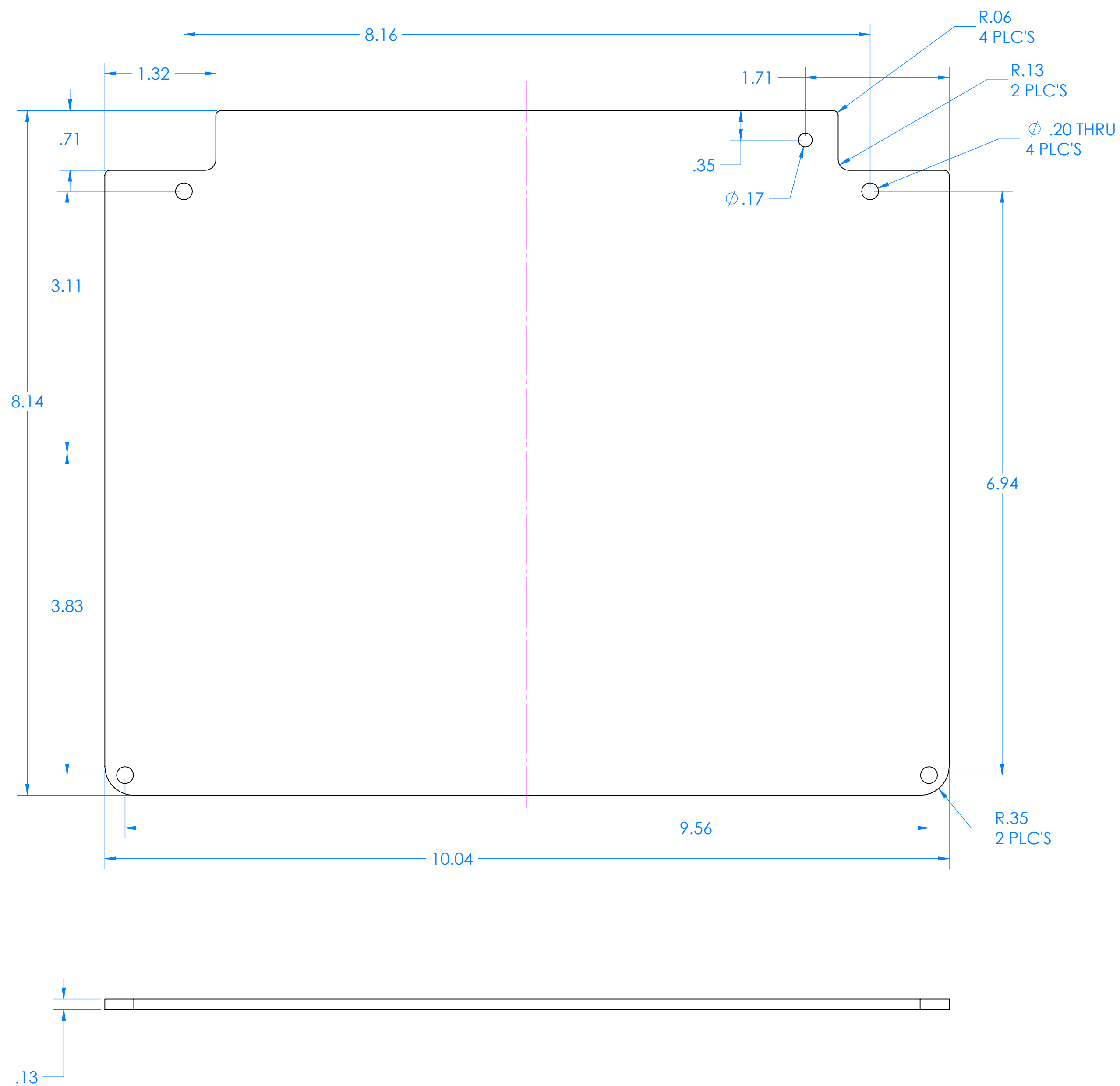
7200TH Aluminum Hinged Top Panel Kit for 352HL, 342HL, 352HS, 342HS, 352S and 342S



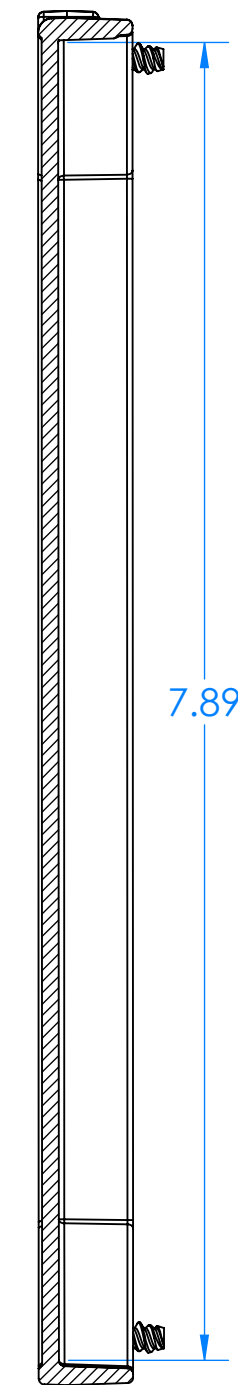
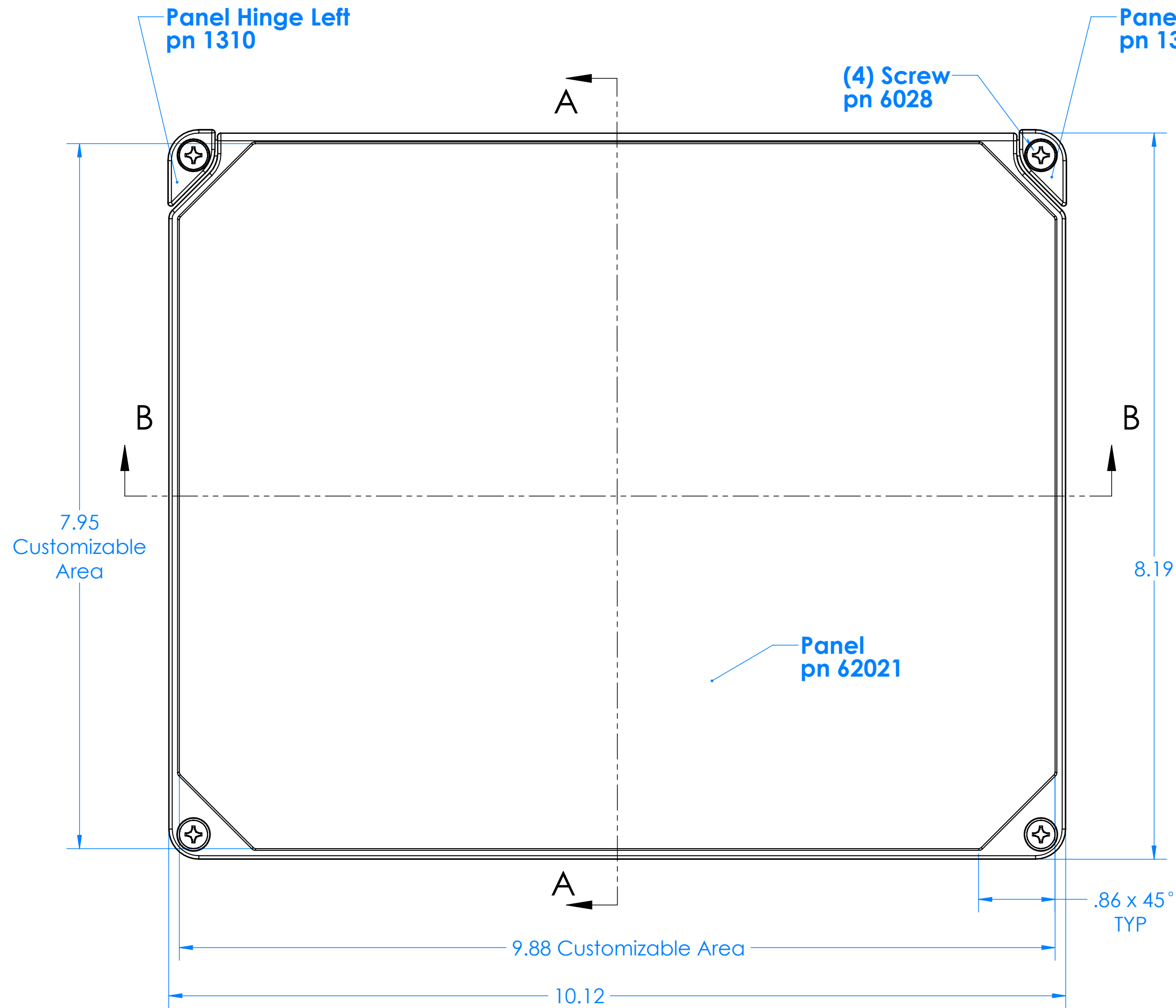
Part included in Kit number 7200TH		
P/N	Qty.	Description
72020	1	Aluminum Hinged Top Panel
6029	2	SS #10 X 3/8" Pan H/L Screw
6030	2	SS #10-32 X 3/8" PH-PN Combo Screw
6105	2	SS #10-32 Hex Nut Plain
6028	2	SS #10 X 5/8" Pan H/L Screw
1307	2	Hinge Pin
1308	1	Panel Hinge A
1309	1	Panel Hinge B

72020 Aluminum Hinged Top Panel

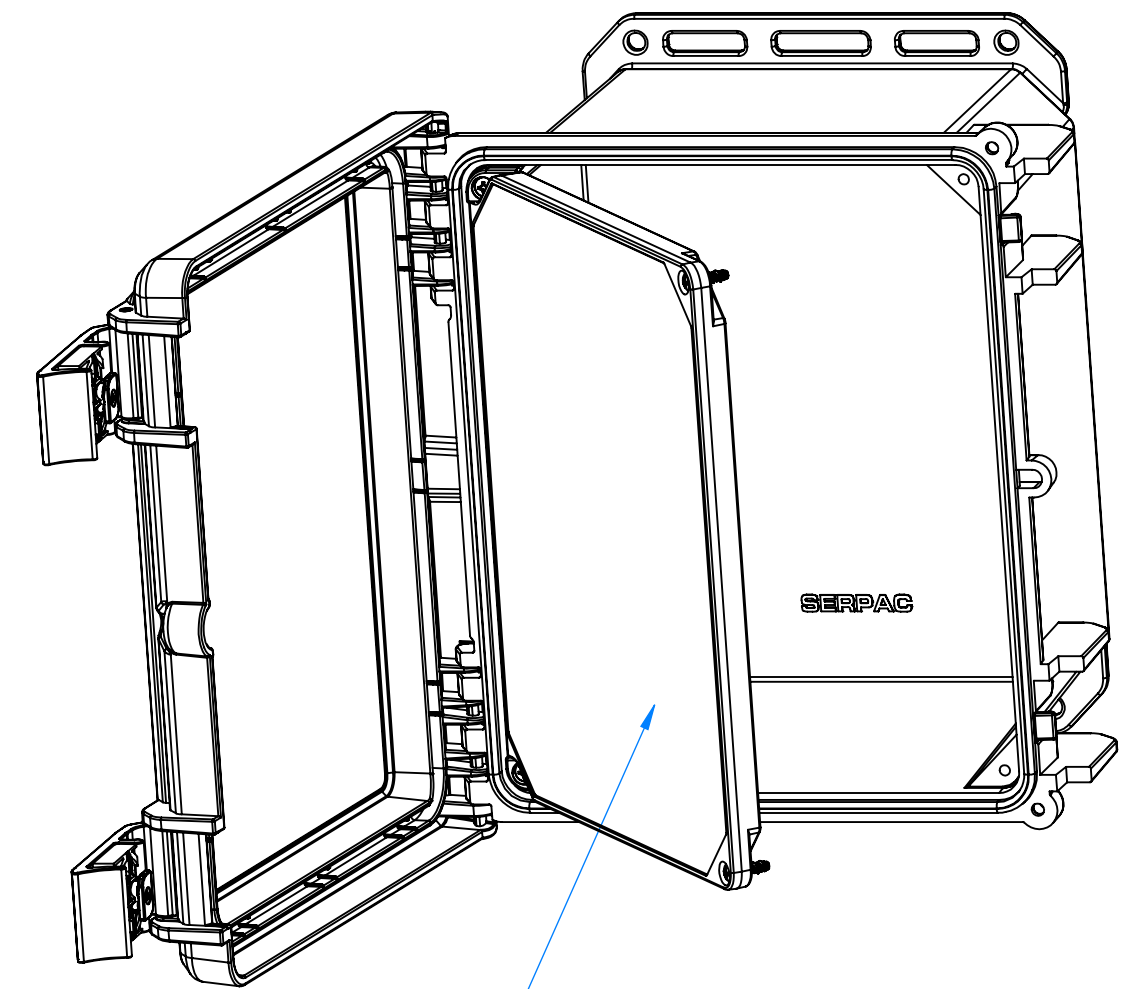
352HL, 342HL, 352HS, 342HS, 352S and 342S



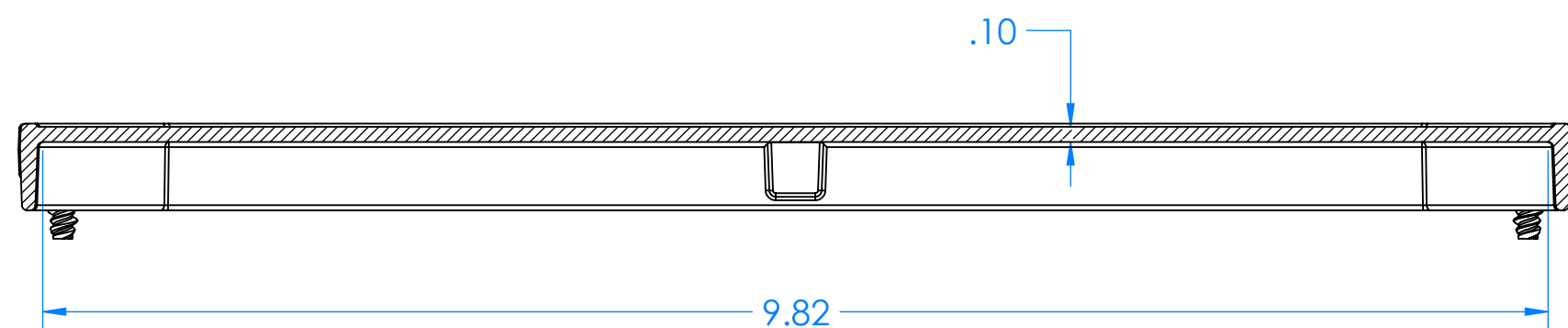
7200HP Plastic Hinged Top Panel Kit for 352HL, 342HL, 352HS, 342HS, 352S and 342S



SECTION A-A



Optional kit
pn 7200HP



SECTION B-B

Parts Included in kit number 7200HP		
P/N	Qty.	Description
72021	1	Plastic Hinged Top Panel
1310	1	Panel Hinge Left
1311	1	Panel Hinge Right
6028	4	SS #10 X 5/8" Pan H/L Screw

72021 Pastic Hinged Top Panel

352HL, 342HL, 352HS, 342HS, 352S and 342S

